



200A 250A Black Square Terminal - 250A

Part Number:

RHT250AM88B-IP68



Basic Information

Body Style	Square
Color	Black

Material Specification

Contact Finish	Tin Plating
Contact Material	Stannum plating on copper alloy
Flammability	UL94 V-0
Insulation Material	Thermoplastic

Mechanical Specification

Contact Termination	Busbar, Screw
Mating Cycles	100.0
Mounting Feature	Bulkhead
Mounting Type	Panel Mount
Termination Thread	M8
Wire Gauge	25mm ² , 70mm ²

Electrical Specification

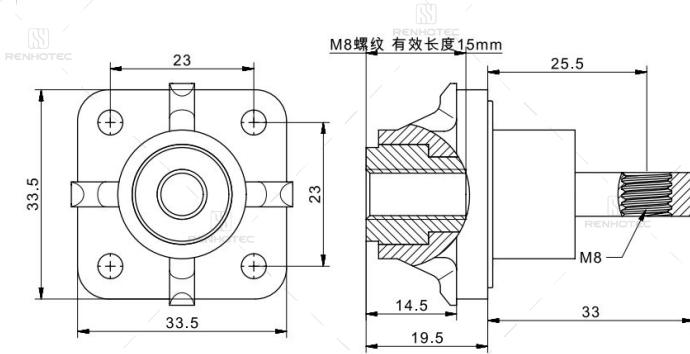
Insulation Resistance	5000MΩ(@25°C 40%-60%RH)
Rated Current	250A
Rated Voltage	1500V
Test Voltage	4000V AC

Environmental Specification

Ingress Protection	IP55, IP68
Operating Temperature	-40°C to +125°C
Salt Spray Resistance	48H (Mating State)

Size

1. 外形尺寸/Outline size



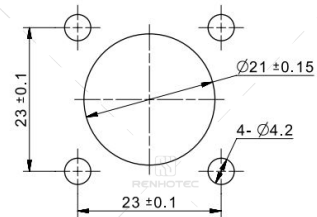
2. 产品料号对应原则说明 : Description of product item No.correspondence principle

FST250AM88() * - ()

R: 红色 (RED)
B: 黑色 (BLACK)

IP67: 防护达到IP67等级
IP55: 防护达到IP55等级

3. 面板开孔尺寸/Panel opening size



4. 配件信息 : Parts list

防尘盖可选 :
FSTCAP-03-R(红色防尘盖)
FSTCAP-03-B(黑色防尘盖)
FSTCAP-03-O(橙色防尘盖)



How to Order

1. Specify the upper and lower mounting thread specifications.
2. Specify the panel cutout shape.
3. Specify the mounting base type.
4. Specify whether waterproofing is required.
5. Specify the rated current.
6. Specify whether a protective cap is needed.
7. Specify the main body color.

FOR EXAMPLE:

The product with an installation end M8 internal thread structure, a two-ear flange mounting base, a 500A rated current, and an insulation protective cover has the part number RHT-FM8-3457-32-500A-C.

Disclaimer

The information in this specification is subject to change without notice. Please confirm the latest version before use. Technical parameters are for reference only, and sufficient testing and verification should be conducted in actual applications.