



Feed Through Junction Blocks 200A Outer Screw(M8)
Black

Part Number:

RHT-FM8-56-4M-B



Basic Information

| | |
|------------|--------|
| Body Style | Square |
| Color | Black |

Material Specification

| | |
|---------------------|----------------|
| Contact Finish | Nickel Plating |
| Contact Material | Brass |
| Flammability | UL94 V-0 |
| Insulation Material | PBT |

Mechanical Specification

| | |
|---------------------|---------------|
| Contact Termination | Busbar, Screw |
| Docking Method | Thread |
| Insertion Times | > 500 |
| Mounting Feature | Bulkhead |
| Mounting Type | Panel Mount |
| Termination Thread | M8 |

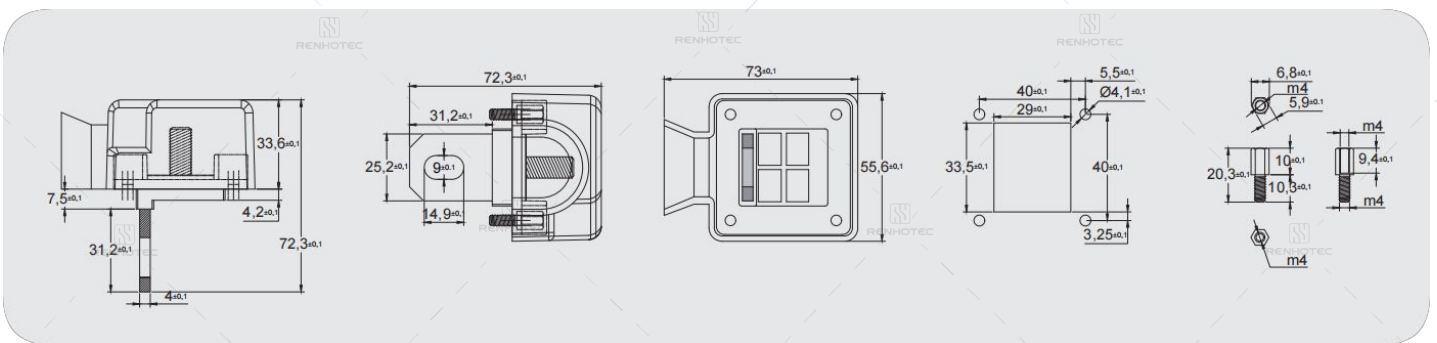
Electrical Specification

| | |
|---------------------|-------|
| Dielectric Strength | 3000V |
| Rated Current | 200A |
| Rated Voltage | 1000V |

Environmental Specification

| | |
|-----------------------|-----------------|
| Operating Temperature | -40°C to +125°C |
|-----------------------|-----------------|

Size



How to Order

1. Specify the upper and lower mounting thread specifications.
2. Specify the panel cutout shape.
3. Specify the rated current.
4. Specify whether waterproofing is required.
5. Specify whether a protective cap is needed.
6. Specify the main body color.

FOR EXAMPLE:

The product with an installation end M8 internal thread structure, a two-ear flange mounting base, a 500A rated current, and an insulation protective cover has the part number RHT-FM8-3457-32-500A-C.

Disclaimer

The information in this specification is subject to change without notice. Please confirm the latest version before use. Technical parameters are for reference only, and sufficient testing and verification should be conducted in actual applications.