



250A Black and Red High Current Copper Terminal

Part Number:

RHT-FM8-48-3M



Basic Information

Color	Black, Red
-------	------------

Material Specification

Contact Finish	Nickel Plating
Insulation Material	PBT
Terminal Material	Cooper

Mechanical Specification

Docking Method	Thread
Insertion Times	> 500
Mounting Type	Panel Mount
Orientation	Straight
Terminal Size	3*24mm
Thread diameter(Top/Bottom)	M8/M8

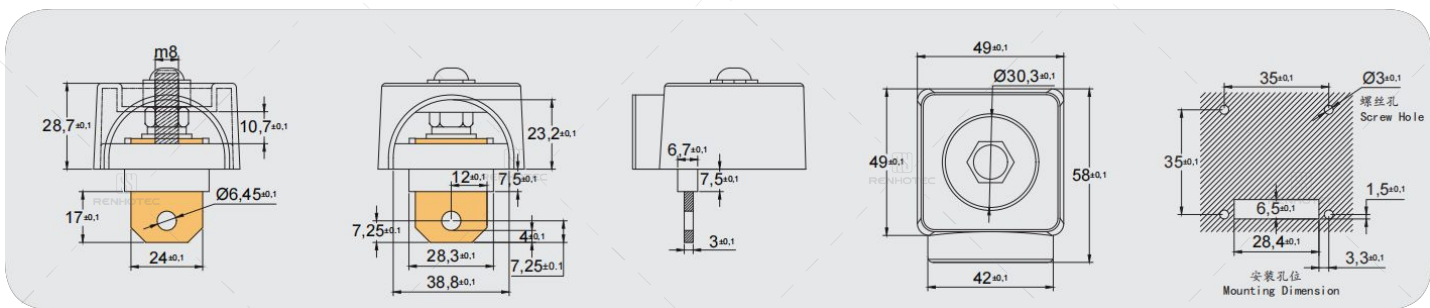
Electrical Specification

Dielectric Strength	3000V
Rated Current	250A
Rated Voltage	1000V AC
Shielding	360°

Environmental Specification

Operating Temperature	-40°C to +125°C
-----------------------	-----------------

Size



How to Order

1. Specify the upper and lower mounting thread specifications.
2. Specify the panel cutout shape.
4. Specify whether waterproofing is required.
1. Specify the rated current.
5. Specify whether a protective cap is needed.
6. Specify the main body color.

FOR EXAMPLE:

The product with an installation end M8 internal thread structure, a two-ear flange mounting base, a 500A rated current, and an insulation protective cover has the part number RHT-FM8-3457-32-500A-C.

Disclaimer

The information in this specification is subject to change without notice. Please confirm the latest version before use. Technical parameters are for reference only, and sufficient testing and verification should be conducted in actual applications.