



200A Waterproof High Voltage Battery Box Connector Orange

Part Number:

FLBOX1206-CA-H6-RH



Basic Information

Body Style	Square
Color	Orange

Material Specification

Contact Finish	Tin Plating
Contact Material	Copper Alloy
Flammability	UL94 V-0
Shell Material	Plastic

Mechanical Specification

Inside Thread	M6
Mounting Type	Panel Mount
Termination Method	Busbar

Electrical Specification

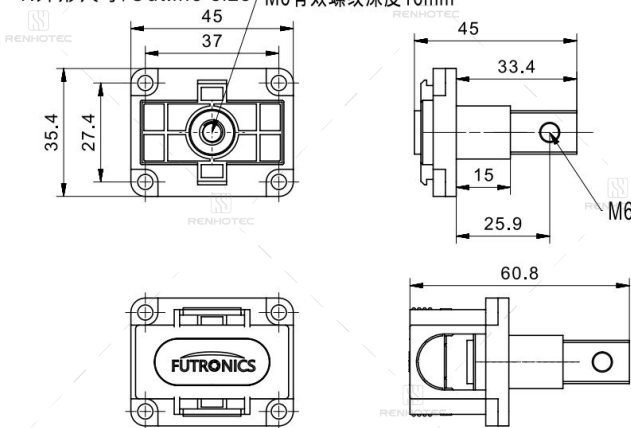
Insulation Resistance	≥5000MΩ
Rated Current	200A
Rated Voltage	1500V
Test Voltage	3000VDC

Environmental Specification

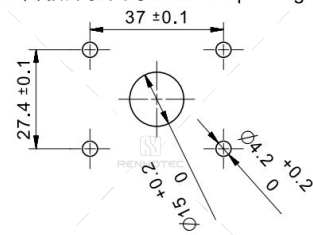
Ingress Protection	IPXXB (Mated)
Operating Temperature	-40°C to +125°C
Salt Spray Resistance	48H

Size

1.外形尺寸/Outline size M6有效螺纹深度16mm



3.面板开孔尺寸/Panel opening size



3.产品料号对应原则说明:
Description of product item No.correspondence principle

FLBOX1206-()A-H6

1:150A(MAX)

2:200A(MAX)

6:箱外M6内螺纹

C:橙色

H:黑色

H6:箱内M6铜排

防尘盖型号	颜色
FLBOXCAP-01B	黑色
FLBOXCAP-01R	橙色

How to Order

1. Specify the upper and lower mounting thread specifications.
2. Specify the panel cutout shape.
3. Specify the mounting base type.
4. Specify whether waterproofing is required.
5. Specify the rated current.
6. Specify whether a protective cap is needed.
7. Specify the main body color.

FOR EXAMPLE:

The product with an installation end M8 internal thread structure, a two-ear flange mounting base, a 500A rated current, and an insulation protective cover has the part number RHT-FM8-3457-32-500A-C.

Disclaimer

The information in this specification is subject to change without notice. Please confirm the latest version before use. Technical parameters are for reference only, and sufficient testing and verification should be conducted in actual applications.