

M8 Female Overmolded Cable, Single-ended, Shielded, Straight

Part Number:

RHT-M8008-04-C-XXX

Basic Information

Series	M8
Contact Type	Female
Number of Positions	4 Pin
Coding	A
Color	Black/Customized
Contact Termination	Solder Cup

Electrical Specification

Contact Resistance	$\leq 5M\Omega$
Insulation Resistance	$\geq 100M\Omega$
Rated Current	3A
Rated Voltage	50V AC/60V DC

Material Specification

Insulation Material	PA66+GF
Cable Material	PVC/PUR/Customized
Contact Finish	Gold
Contact Material	Brass
Overmolding Material	PVC/TPU
Screw Nut Material	Brass, Nickel Plated
Seal	Black, NBR
Wire Gauge	24AWG/0.25mm ²

Environmental Specification

Operating Temperature	-25°C ~ +80°C
Ingress Protection	IP67(Mated)

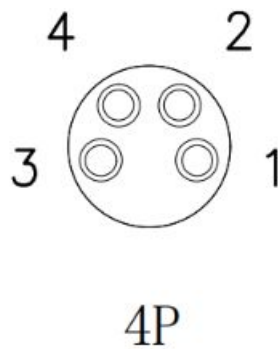
Mechanical Specification

Durability	≥500
------------	------

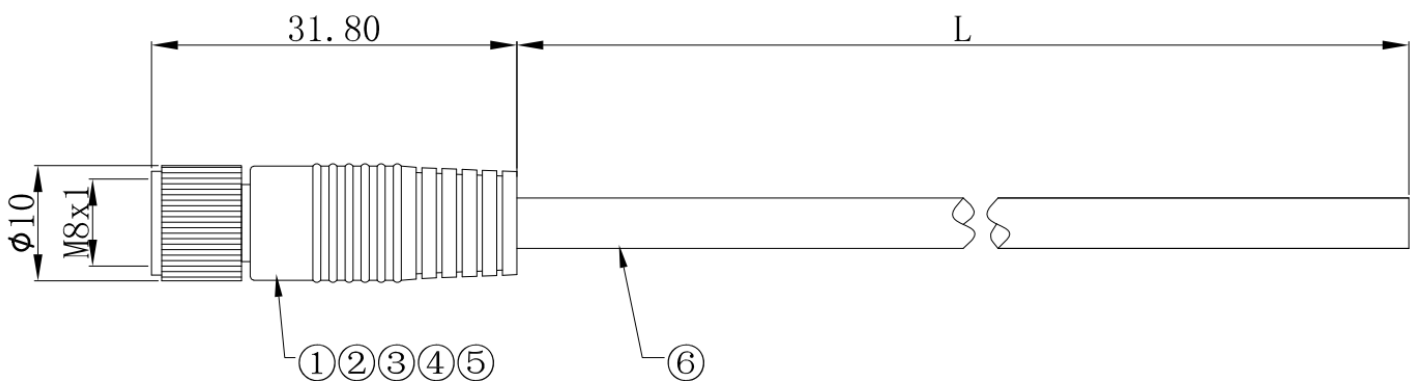
electronic_specification

Shielding	Shielded
-----------	----------

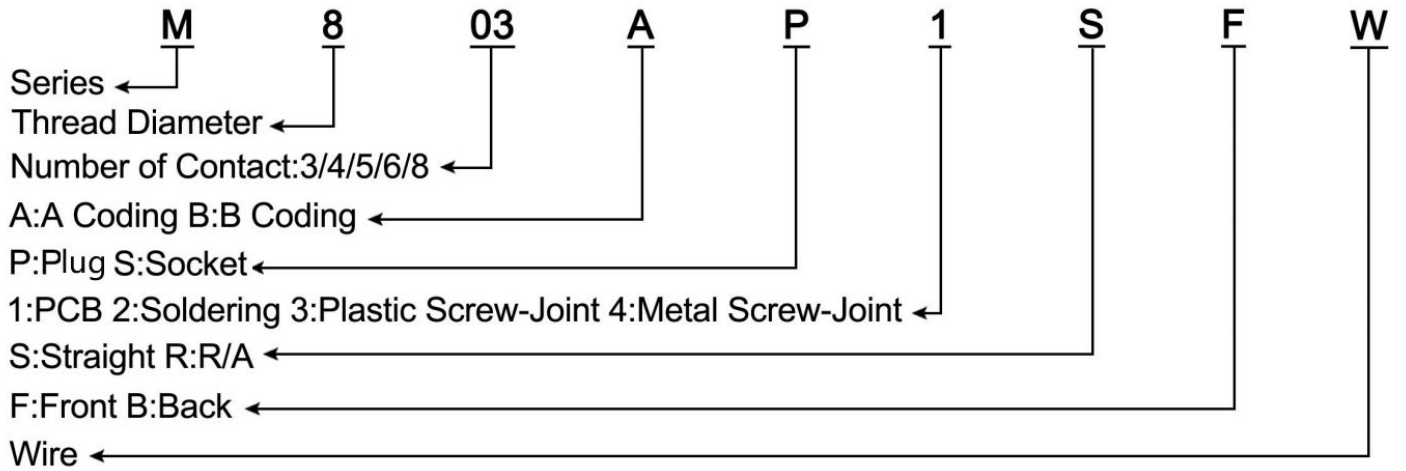
Contact Layout



Size



How to Order



Disclaimer

The information in this specification is subject to change without notice. Please confirm the latest version before use. Technical parameters are for reference only, and sufficient testing and verification should be conducted in actual applications.