

M8 Y Type Splitter Connector, Male to 2 Female

Part Number:

RHT-605-4081-05

Basic Information

| | |
|---------------------|-------|
| Series | M8 |
| Number of Positions | 5 Pin |
| Coding | B |

Electrical Specification

| | |
|-----------------------|--------------------|
| Contact Resistance | $\leq 5M\Omega$ |
| Insulation Resistance | $\geq 100M\Omega$ |
| Rated Current | 1.5A, 3A |
| Rated Voltage | 30V, 50V AC/60V DC |

Material Specification

| | |
|---------------------|---------------------|
| Insulation Material | PA66+GF |
| Body Material | PVC |
| Contact Finish | Gold |
| Contact Material | Brass |
| Screw Nut Material | Brass, Nickel Flash |
| Seal | Black, NBR |

Environmental Specification

| | |
|-----------------------|---------------|
| Operating Temperature | -25°C ~ +80°C |
| Ingress Protection | IP67(Mated) |

Mechanical Specification

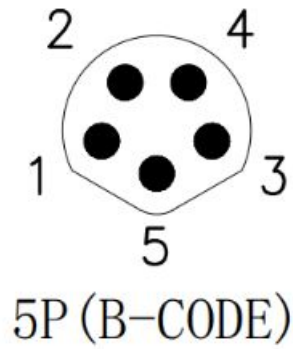
| | |
|------------|------------|
| Durability | ≥ 500 |
|------------|------------|

electronic_specification

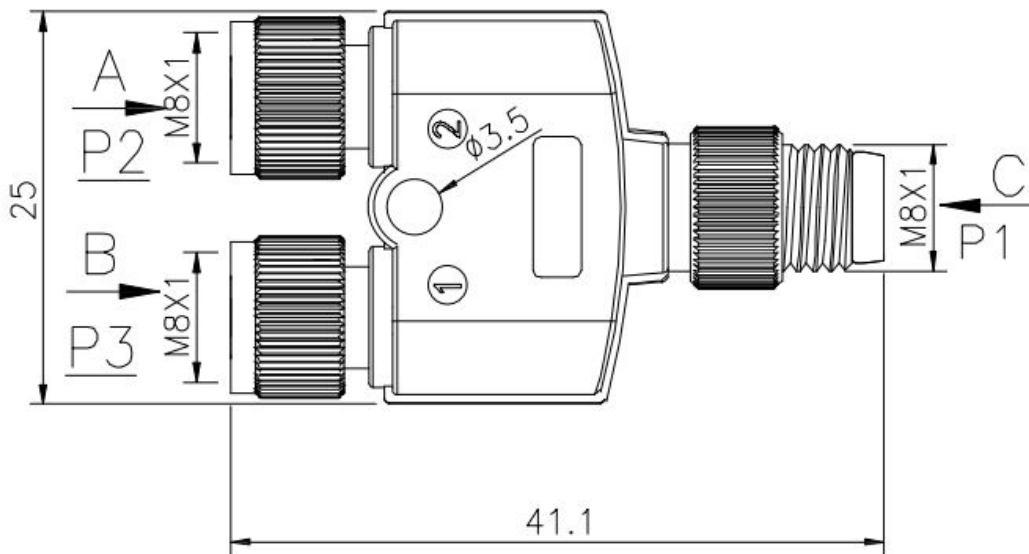
Shielding

Unshielded

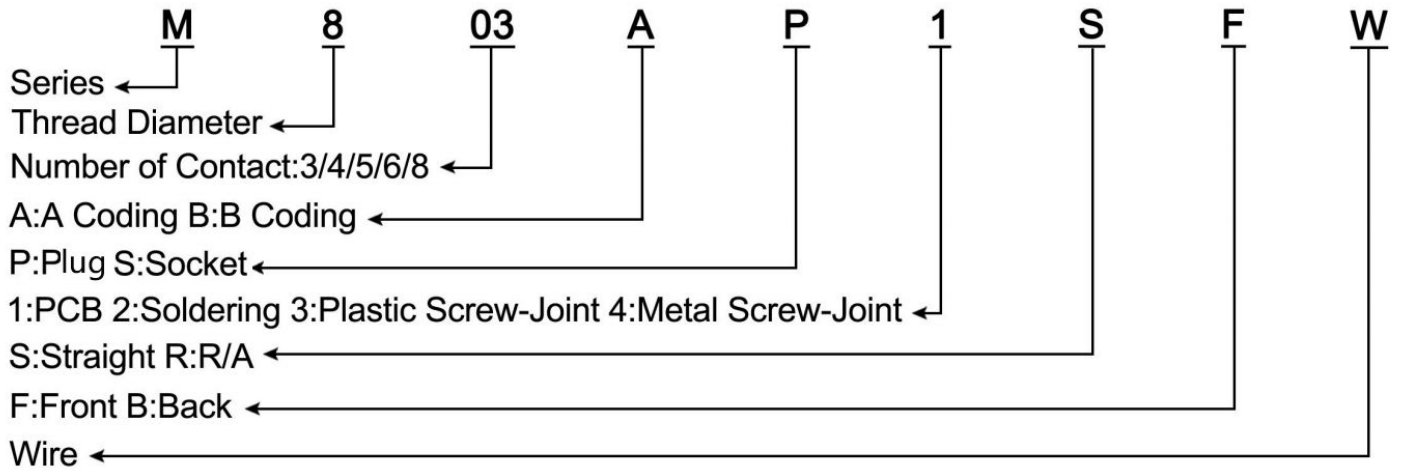
Contact Layout



Size



How to Order



Disclaimer

The information in this specification is subject to change without notice. Please confirm the latest version before use. Technical parameters are for reference only, and sufficient testing and verification should be conducted in actual applications.