

M8 Y Type Splitter Connector, Male to 2 Female

Part Number:

RHT-605-4081-04

Basic Information

Series	M8
Number of Positions	4 Pin
Coding	A

Electrical Specification

Contact Resistance	$\leq 5M\Omega$
Insulation Resistance	$\geq 100M\Omega$
Rated Current	1.5A, 3A
Rated Voltage	30V, 50V AC/60V DC

Material Specification

Insulation Material	PA66+GF
Body Material	PVC
Contact Finish	Gold
Contact Material	Brass
Screw Nut Material	Brass, Nickel Flash
Seal	Black, NBR

Environmental Specification

Operating Temperature	-25°C ~ +80°C
Ingress Protection	IP67(Mated)

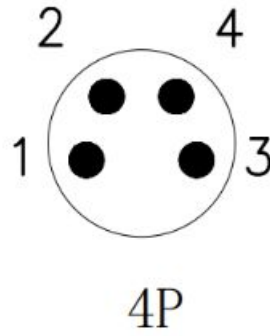
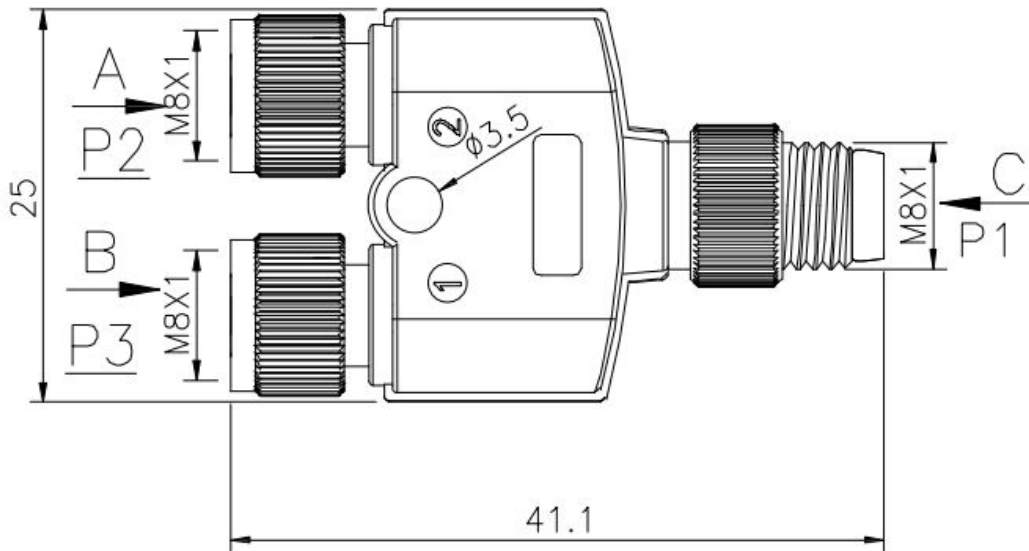
Mechanical Specification

Durability	≥ 500
------------	------------

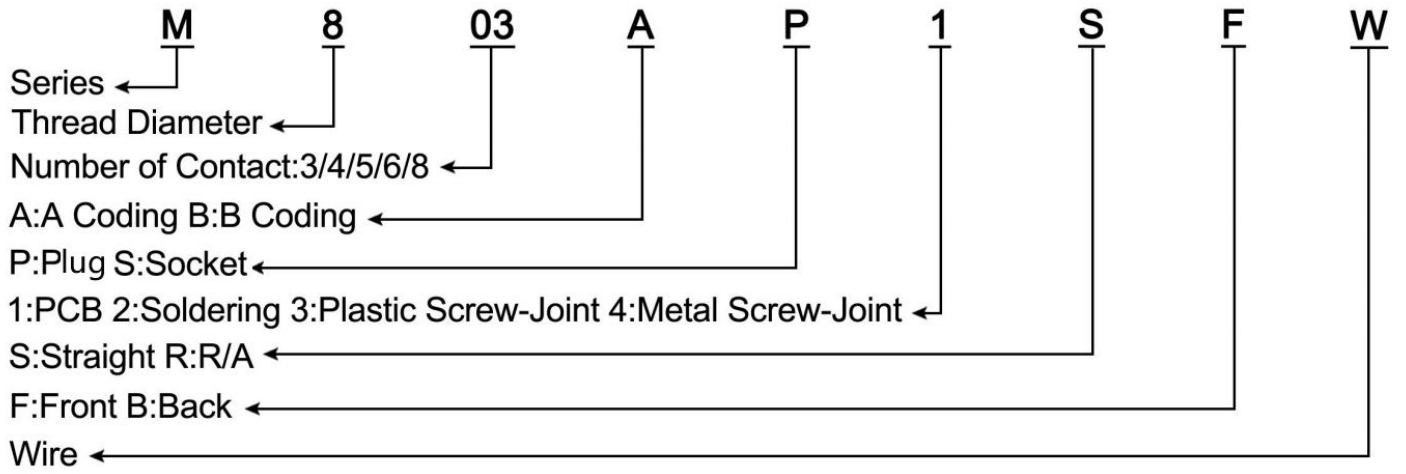
electronic_specification

Shielding

Unshielded

Contact Layout

Size


How to Order



Disclaimer

The information in this specification is subject to change without notice. Please confirm the latest version before use. Technical parameters are for reference only, and sufficient testing and verification should be conducted in actual applications.