

M8 Female Panel Mount Cable Assembly,
Front Fastened, Unshielded, Straight, M10x0.75

Basic Information

Series	M8
Contact Type	Female
Number of Positions	3 Pin, 4 Pin, 5 Pin, 6 Pin, 8 Pin
Coding	A, B
Contact Termination	Solder Cup

Electrical Specification

Contact Resistance	$\leq 5M\Omega$
Insulation Resistance	$\geq 100M\Omega$
Rated Current	3A
Rated Voltage	50V AC/60V DC

Material Specification

Insulation Material	PA66+GF
Body Material	Brass, Nickel Plated
Contact Finish	Gold
Contact Material	Brass
Seal	FKM
Wire Gauge	24AWG/0.25mm ²
Wire Material	PVC

Environmental Specification

Operating Temperature	-25°C ~ +80°C
Ingress Protection	IP67(Mated)

Mechanical Specification

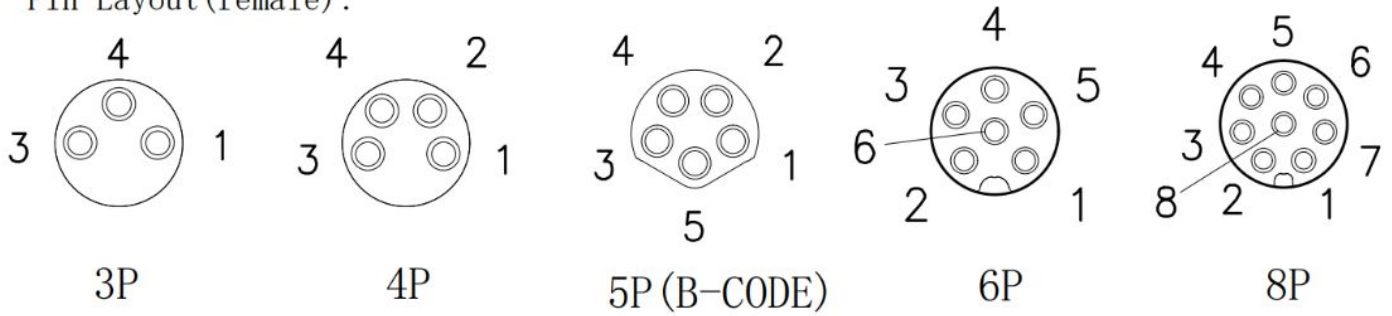
Durability	≥500
------------	------

electronic_specification

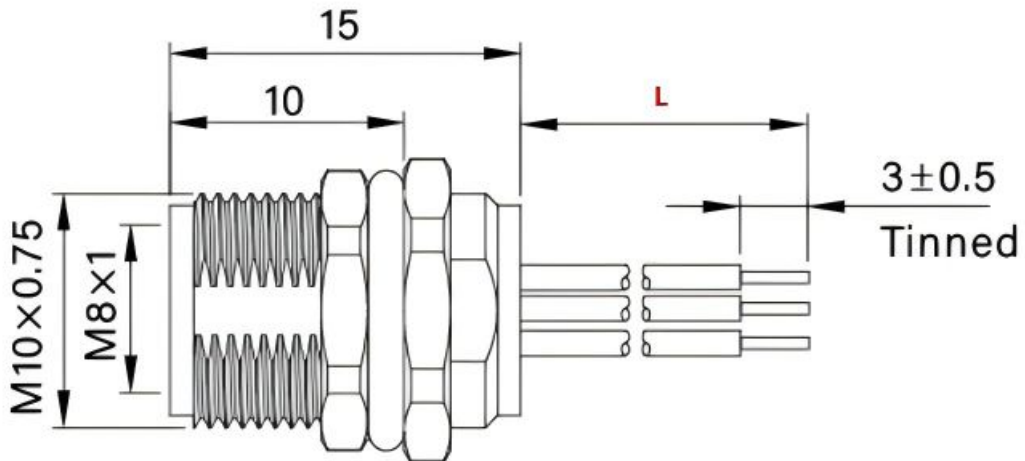
Shielding	Unshielded
-----------	------------

Contact Layout

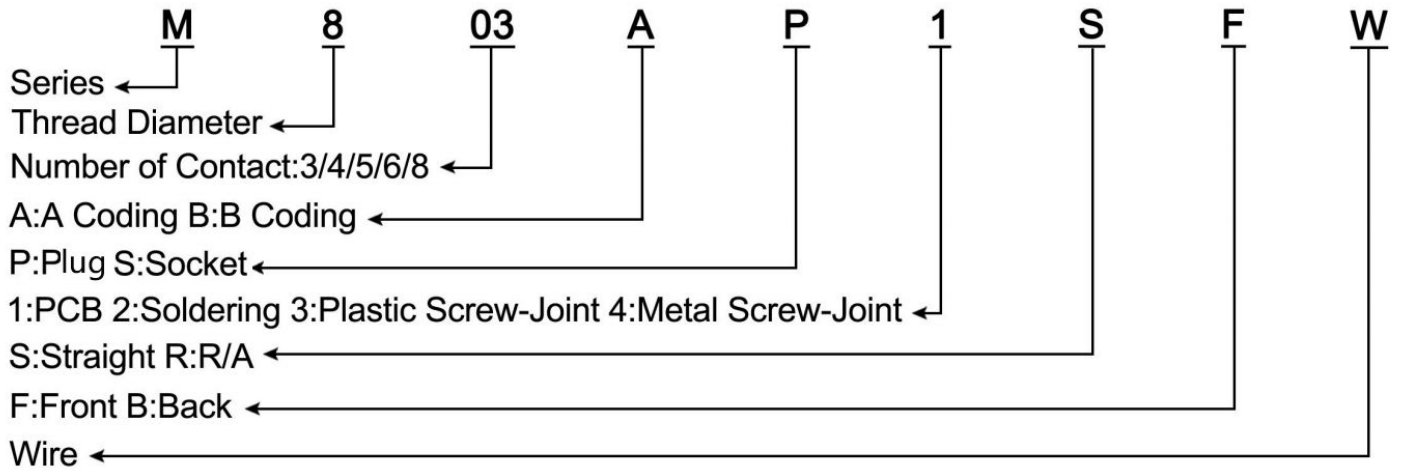
Pin Layout (female):



Size



How to Order



Disclaimer

The information in this specification is subject to change without notice. Please confirm the latest version before use. Technical parameters are for reference only, and sufficient testing and verification should be conducted in actual applications.