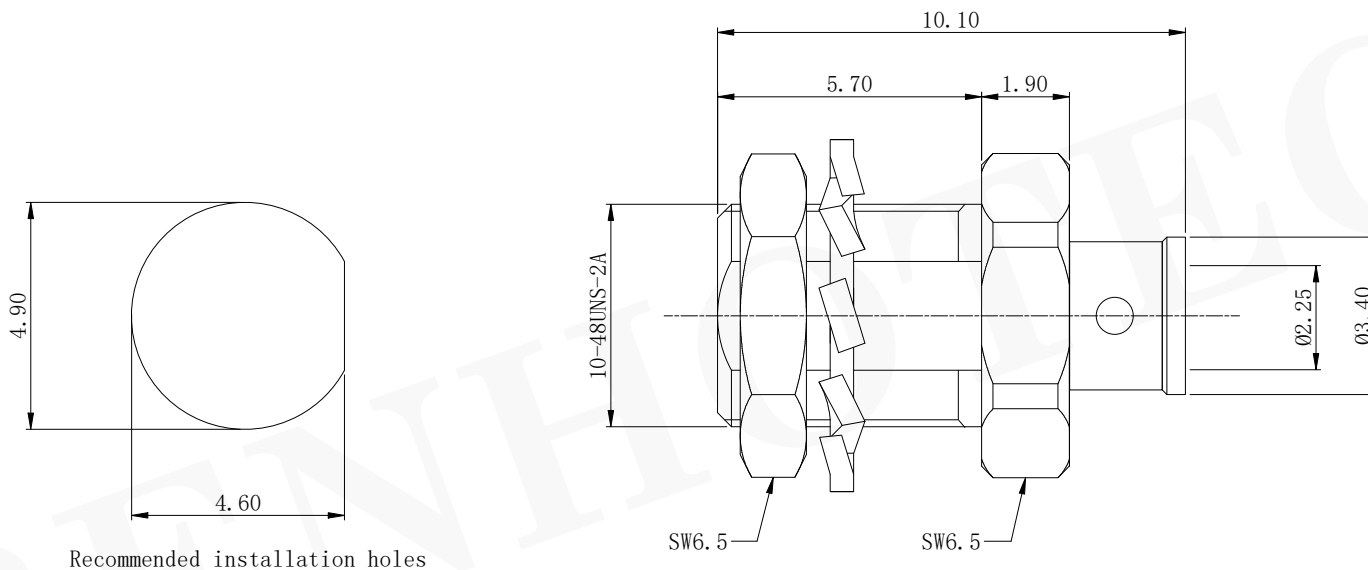




REV	DESCRIPTION	DWN	DATE	APPROVEN
R1.0	First issue	Gavin	2024/11/27	JIM.KING



Specifications

Impedance 50 Ω  
 Frequency DC-18 GHz  
 VSWR: 1.5Max  
 Dielectric withstand voltage:500V rms  
 Insulation resistance:≥5000M Ω  
 Center contact resistance:≤6m Ω  
 Outer contact resistance:≤2m Ω  
 Mating Cycles:100 Min  
 Operating temperature -55℃~+155℃

5	NUT	BRASS	GOLD PLATING	1
4	GROMMET	BRASS	GOLD PLATING	1
3	CENTER PIN	BERYLLIUM COPPER	GOLD PLATING	1
2	INSULATOR	GLASS SINTERING	GREEN	1
1	BOOY	BRASS	GOLD PLATING	1
NO	DESCRIPTION	MATERIAL	FINISH	QTY

-TOLERANCES- UNLESS OTHERWISE SPECIFIED	<b>RENHOTEC GROUP</b>					
	PART DESCRIPTION: SMP PLUG FOR RG405 CABLE					
UNLESS OTHERWISE SPECIFIED TOLERANCES FOR MILLIMETERS ARE: 0.5 - 8mm ± 0.20mm 8 - 30mm ± 0.25mm 30 - 120mm ± 0.30mm	Appd: JIM.KING	P/N: RHT-628-2020				
	Check:	Date	Scale	Unit	Type	Page
	Draw: Gavin	2024. 11. 27	Free	MM	Z	1/1