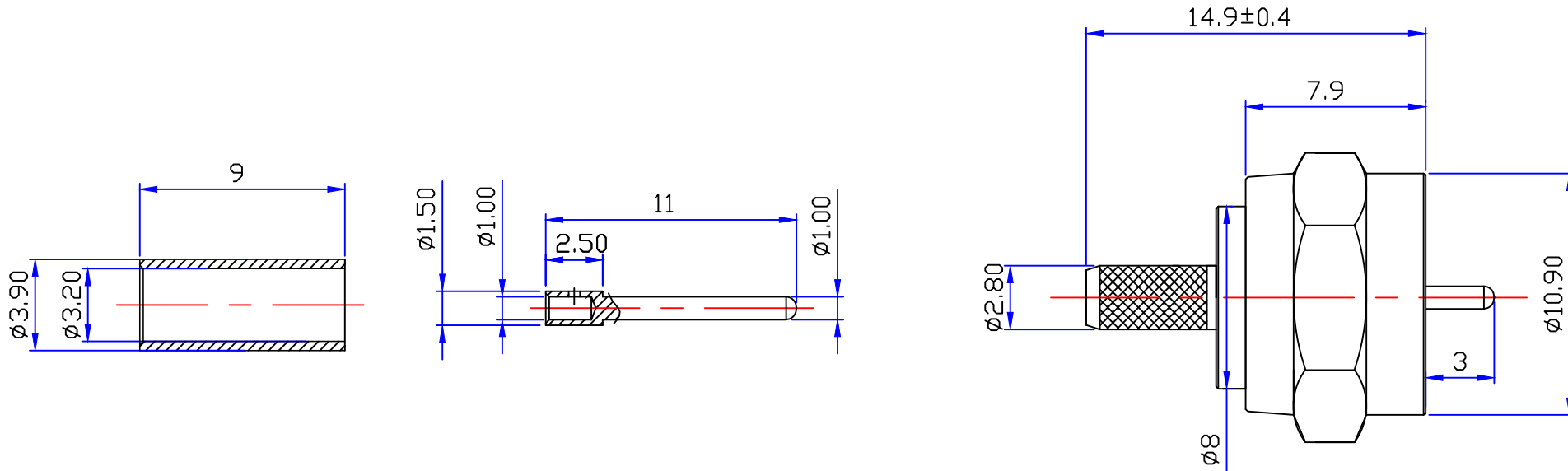




Product NO.	Renhotec-611-0052			
REV	DESCRIPTION	DWN	DATE	APPROVEN
A	First issue	Mr.chen	2016/6/20	John kine



SPECIFICATIONS:

Impedance: 75 Ohms
 Frequency Range:DC~3G
 VSWR:30DdB Return loss @ 1GHZ
 Working Voltage:15 watts continuous
 Insulation Resistance:5000 Ohms min
 Temperature Range:-40°C T0 +60°C
 Drawings products are in line with ROHS standards

1	Shell	Brass	NI:80-120u"
2	Body	Brass	NI:80-120u"
3	Contact pin	Brass	NI:80-120u"
4	Insulation	Pom	None
5	Ferrule	Brass (C2680)	NI:80-120u"

NOTE:
 DRAWN Zelin.Zhang 2016/06/20
 CHECKED
 APPROVALS John 20/06.2016
 Kine

Tolerance	0-6 ±0.10 6-30 ±0.20 30-120 ±0.30 Angular ±2°
View	
UNIT	MM
SCALE	1:1

RENHOTEC www.renhotec.com **RENHOTEC GROUP**

Name: F Plug Stright For rg174

SIZE A	Product NO. RENHOTEC-611-0052	REV a
DateTime 2016/6/20	CAD FILE D/company drawings/BD	SHEET: 1 OF 1