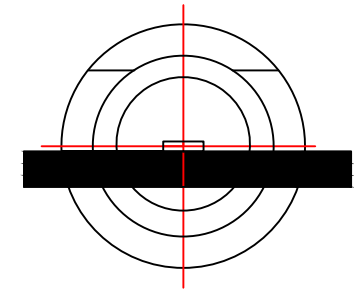
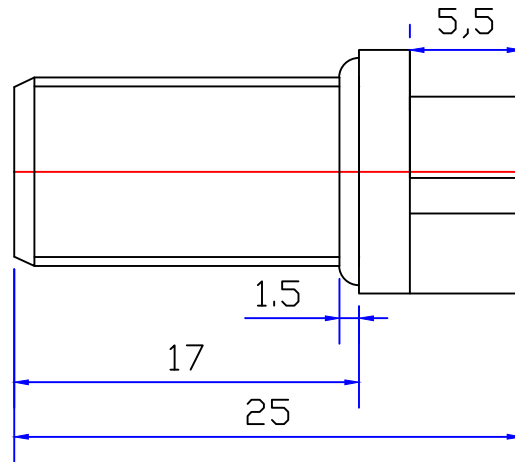
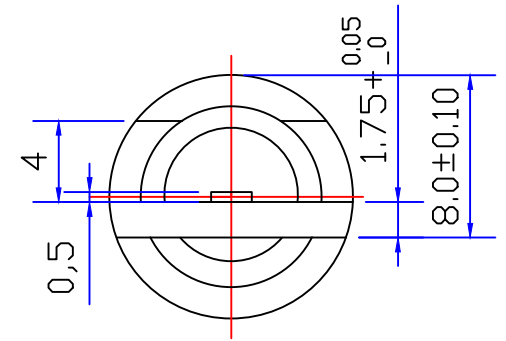
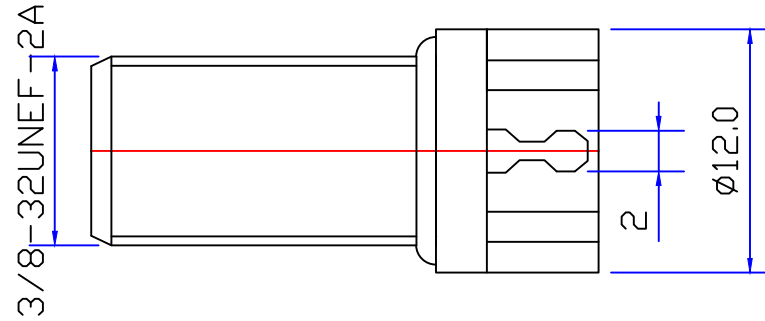
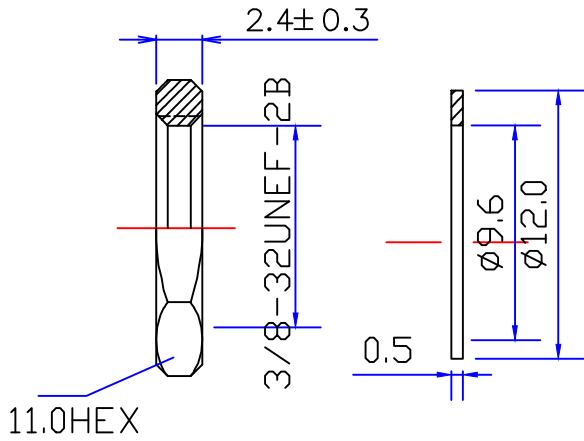




Product NO.	Renhotec-611-0051			
REV	DESCRIPTION	DWN	DATE	APPROVEN
A	First issue	Mr.chen	2016/12/18	John kine



PCB

SPECIFICATIONS:

Impedance: 75 Ohms
 Frequency Range: DC~3G
 VSWR: 30dB Return loss @ 1GHZ
 Working Voltage: 15 watts continuous
 Insulation Resistance: 5000 Ohms min
 Temperature Range: -65°C TO +165°C
 Drawings products are in line with ROHS standards

1	Body	Brass	NICKEL
2	Insulator	TEFLON	White
3	CONTACT PIN	BRASS	GOLD
4	GASKET	SILICONE	RED
5			
6			
7			
8			
9			
10			
NO	Component Number	Material	Finish

NOTE:		Tolerance	0-6 ±0.10
			6-30 ±0.20
		View	30-120 ±0.30
			Angular ±2°
DRAWN		UNIT	MM
Zelin.Zhang			
2016/12/18		SCALE	1:1
CHECKED			
APPROVALS		DateTime	
John		2016/12/18	
18/12.2016		CAD FILE	
Kine		D/company drawings/BD	

Name: F female edge mount receptacle, 75 OHM			
SIZE	Product NO.	REV	
A	RENHOTEC-611-0051	a	
DateTime	CAD FILE	SHEET: 1 OF 1	
2016/12/18	D/company drawings/BD		