



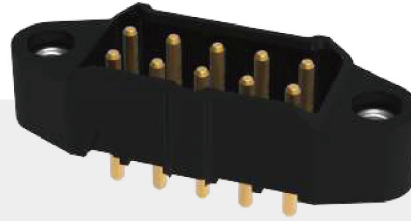
RECTANGULAR CONNECTOR

仁昊伟业集团

RENHOTEC GROUP LIMITED

Rectangular Connector-Signal-MALE

- 触点间距 Contact Pitch : 3.00mm
- 行数 Number of Rows: 双排 Double Row

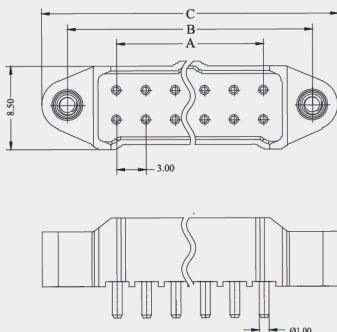


- 信号触点 Signal Contact: 铜合金 Copper Alloy
- 螺杆 Jackscrew: 不锈钢 Stainless steel
- 绝缘材料 Insulator: Glass filled PPS
- 电镀 Finish: 镀金 All over Gold
- 航空航天, 通信设备、充电设备、以及储能等电源模块的信号传输
- Signal transmission for power modules in aerospace, communications equipment, charging equipment, and energy storage.

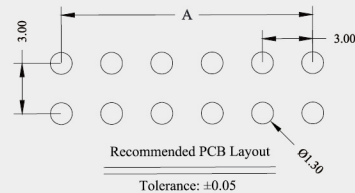
性能参数 Specification

- 芯数 Pins: 04 to 10 (even numbers only)
- 阻燃等级 Flame retardant grade: UL94V-0
- 插拔寿命 Mechanical Operations: 1000 Operations
- 工作温度 Range temperature: -55°C ~+125°C
- 额定电流 Current Rating : 10A MAX
- 接触电阻 Contact Resistance: $\leq 6m\Omega$
- 绝缘电阻 Insulation Resistance: $>100M\Omega$
- 插入力 Insertion Force : 9.0N Max
- 拔出力 Withdrawal Force : 1.0N Min
- 连接类型 Connection Type: 垂直通孔 Vertical Throughboard
- 工作电压 Working Voltage: 600 V AC/DC
- 耐电压 Proof Voltage: 1800 V AC/DC

安装开口尺寸 Mounting Interface Design



DIMENSION	CALCULATION
DIM A	TOTAL No.OF CONTACTS-3
DIM B	TOTAL No.OF CONTACTS+13
DIM C	TOTAL No.OF CONTACTS+18.3

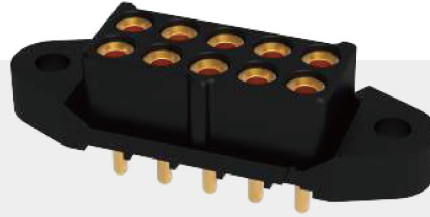


MPG565 XX 00

04 to 10 (even numbers only) XX

Rectangular Connector-Signal-FEMALE

- 触点间距 Contact Pitch : 3.00mm
- 行数 Number of Rows: 双排 Double Row

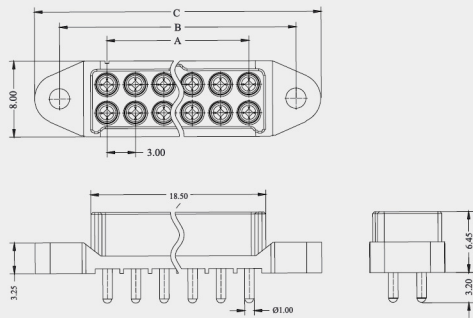


- 信号触点 Signal Contact: 铜合金 Copper Alloy
- 绝缘材料 Insulator: Glass filled PPS
- 电镀 Finish: 镀金 All over Gold
- 航空航天, 通信设备、充电设备、以及储能等电源模块的信号传输
- Signal transmission for power modules in aerospace, communications equipment, charging equipment, and energy storage.

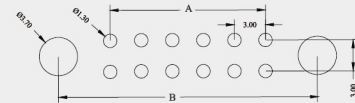
性能参数 Specification

- 芯数 Pins: 04 to 10 (even numbers only)
- 阻燃等级 Flame retardant grade: UL94V-0
- 插拔寿命 Mechanical Operations: 1000 Operations
- 工作温度 Range temperature: -55°C ~+125°C
- 额定电流 Current Rating : 10A MAX
- 接触电阻 Contact Resistance: $\leq 6m\Omega$
- 绝缘电阻 Insulation Resistance: $>100M\Omega$
- 插入力 Insertion Force : 9.0N Max
- 拔出力 Withdrawal Force : 1.0N Min
- 连接类型 Connection Type: 垂直通孔 Vertical Throughboard
- 工作电压 Working Voltage: 800 V AC/DC
- 耐电压 Proof Voltage: 1200 V AC/DC

安装开口尺寸 Mounting Interface Design



DIMENSION	CALCULATION
DIM A	TOTAL No.OF CONTACTS-3
DIM B	TOTAL No.OF CONTACTS+13
DIM C	TOTAL No.OF CONTACTS+18.3

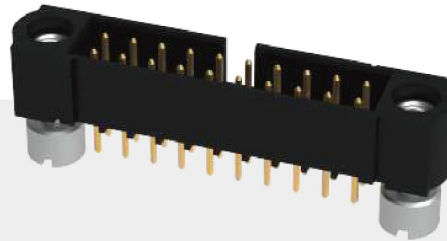


MPM570 XX 00

04 to 10 (even numbers only) | XX

Rectangular Connector-Signal-MALE

- 触点间距 Contact Pitch : 2.00mm
- 行数 Number of Rows: 双排 Double Row

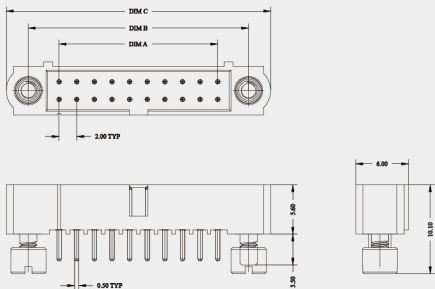


- 信号触点 Signal Contact: 铜合金Copper Alloy
- 螺杆 Jackscrew: 不锈钢 Stainless steel
- 绝缘材料 Insulator: Glass filled PPS
- 电镀 Finish: 镀金 All over Gold
- 航空航天, 通信设备、充电设备、以及储能等电源模块的信号传输
- Signal transmission for power modules in aerospace, communications equipment, charging equipment, and energy storage.

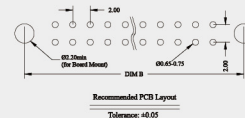
性能参数 Specification

- 芯数 Pins: 04 to 50 (even numbers only)
- 阻燃等级 Flame retardant grade: UL94V-0
- 插拔寿命 Mechanical Operations: 500 Operations
- 工作温度 Range temperature: -55°C ~+125°C
- 额定电流 Current Rating : 3A Max @25°C, 2.2A Max @85C
- 接触电阻 Contact Resistance: $\leq 25\text{m}\Omega$
- 绝缘电阻 Insulation Resistance: $>100\text{M}\Omega$
- 插入力 Insertion Force : 2.8N Max
- 拔出力 Withdrawal Force : 0.2N Min
- 连接类型 Connection Type: 垂直通孔 Vertical Throughboard
- 工作电压 Working Voltage: 800 V AC/DC
- 耐电压 Proof Voltage: 1200 V AC/DC

安装开口尺寸 Mounting Interface Design



DIMENSION	CALCULATION
DIM A	TOTAL No.OF CONTACTS-2
DIM B	TOTAL No.OF CONTACTS+5
DIM C	TOTAL No.OF CONTACTS+10

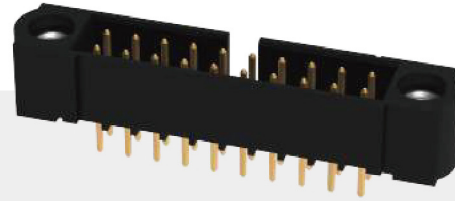


MPG256 XX 01

04 to 50 (even numbers only) XX

Rectangular Connector-Signal-MALE

- 触点间距 Contact Pitch : 2.00mm
- 行数 Number of Rows: 双排 Double Row

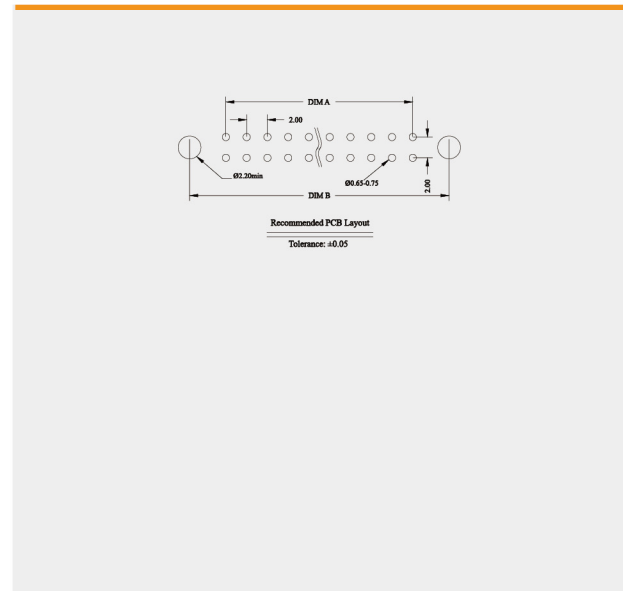
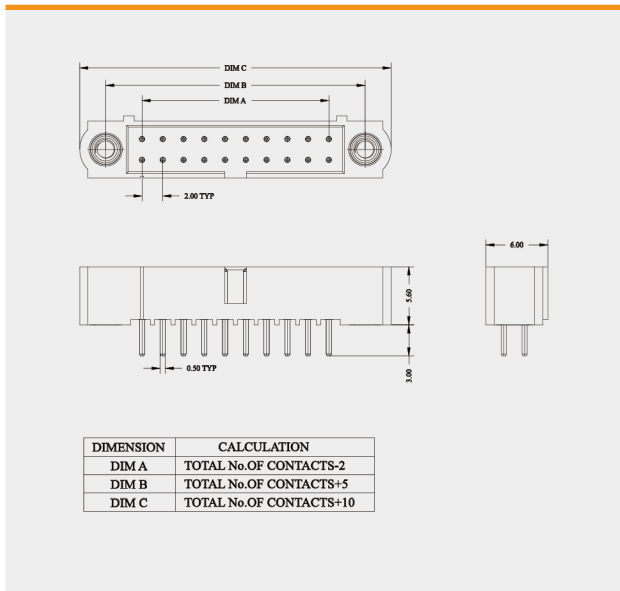


- 信号触点 Signal Contact: 铜合金 Copper Alloy
- 螺杆 Jackscrew: 不锈钢 Stainless steel
- 绝缘材料 Insulator: Glass filled PPS
- 电镀 Finish: 镀金 All over Gold
- 航空航天, 通信设备、充电设备、以及储能等电源模块的信号传输
- Signal transmission for power modules in aerospace, communications equipment, charging equipment, and energy storage.

性能参数 Specification

- 芯数 Pins: 04 to 50 (even numbers only)
- 阻燃等级 Flame retardant grade: UL94V-0
- 插拔寿命 Mechanical Operations: 500 Operations
- 工作温度 Range temperature: -55°C ~+125°C
- 额定电流 Current Rating : 3A Max @25°C, 2.2A Max @85C
- 接触电阻 Contact Resistance: $\leq 25m\Omega$
- 绝缘电阻 Insulation Resistance: $>100M\Omega$
- 插入力 Insertion Force : 2.8N Max
- 拔出力 Withdrawal Force : 0.2N Min
- 连接类型 Connection Type: 垂直通孔 Vertical Throughboard
- 工作电压 Working Voltage: 800 V AC/DC
- 耐电压 Proof Voltage: 1200 V AC/DC

安装开口尺寸 Mounting Interface Design

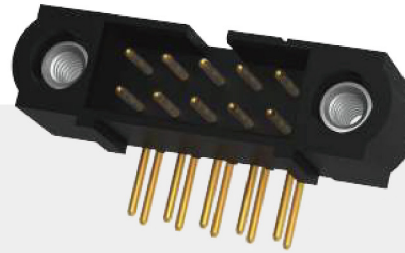


MPG256 XX 02

04 to 50 (even numbers only) XX

Rectangular Connector-Signal-MALE

- 触点间距 Contact Pitch : 2.00mm
- 行数 Number of Rows: 双排 Double Row

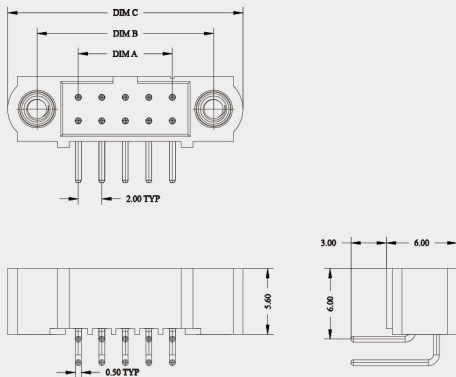


- 信号触点 Signal Contact: 铜合金 Copper Alloy
- 螺杆 Jackscrew: 不锈钢 Stainless steel
- 绝缘材料 Insulator: Glass filled PPS
- 电镀 Finish: 镀金 All over Gold
- 航空航天, 通信设备、充电设备、以及储能等电源模块的信号传输
- Signal transmission for power modules in aerospace, communications equipment, charging equipment, and energy storage.

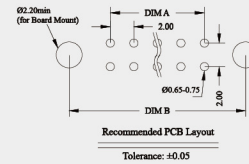
性能参数 Specification

- 芯数 Pins: 04 to 50 (even numbers only)
- 阻燃等级 Flame retardant grade: UL94V-0
- 插拔寿命 Mechanical Operations: 500 Operations
- 工作温度 Range temperature: -55°C ~+125°C
- 额定电流 Current Rating : 3A Max @25°C, 2.2A Max @85C
- 接触电阻 Contact Resistance: $\leq 25m\Omega$
- 绝缘电阻 Insulation Resistance: $>100M\Omega$
- 插入力 Insertion Force : 2.8N Max
- 拔出力 Withdrawal Force : 0.2N Min
- 连接类型 Connection Type: 水平穿孔 Horizontal Throughboard
- 工作电压 Working Voltage: 800 V AC/DC
- 耐电压 Proof Voltage: 1200 V AC/DC

安装开口尺寸 Mounting Interface Design



DIMENSION	CALCULATION
DIM A	TOTAL No.OF CONTACTS-2
DIM B	TOTAL No.OF CONTACTS+5
DIM C	TOTAL No.OF CONTACTS+10

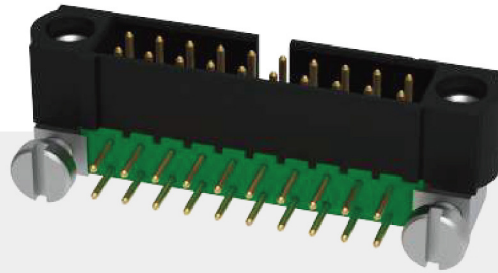


MPG256 XX 03

04 to 50 (even numbers only) XX

Rectangular Connector-Signal-MALE

- 触点间距 Contact Pitch : 2.00mm
- 行数 Number of Rows: 双排 Double Row

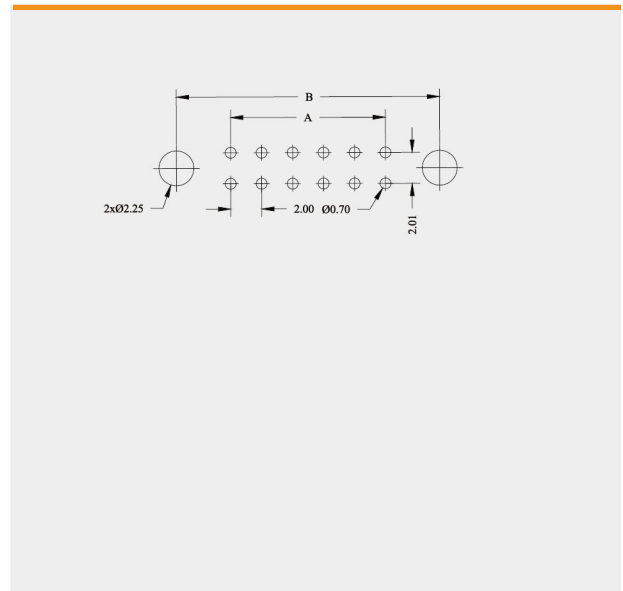
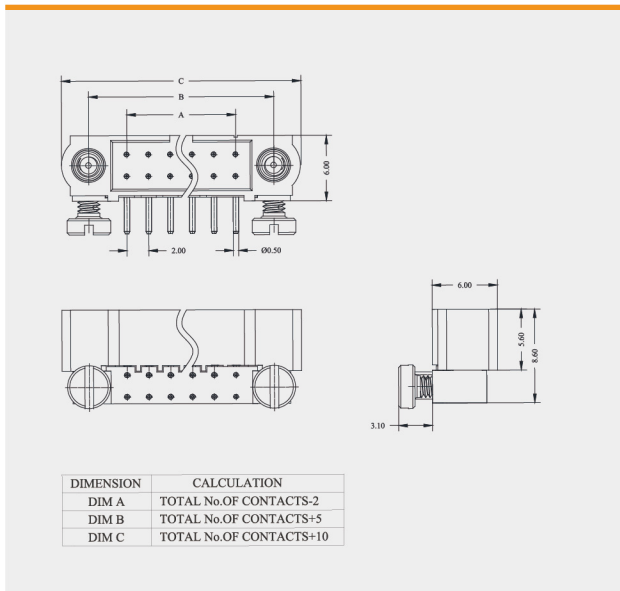


- 信号触点 Signal Contact: 铜合金 Copper Alloy
- 螺杆 Jackscrew: 不锈钢 Stainless steel
- 绝缘材料 Insulator: Glass filled PPS
- 电镀 Finish: 镀金 All over Gold
- 航空航天, 通信设备、充电设备、以及储能等电源模块的信号传输
- Signal transmission for power modules in aerospace, communications equipment, charging equipment, and energy storage.

性能参数 Specification

- 芯数 Pins: 04 to 50 (even numbers only)
- 阻燃等级 Flame retardant grade: UL94V-0
- 插拔寿命 Mechanical Operations: 500 Operations
- 工作温度 Range temperature: -55°C ~ +125°C
- 额定电流 Current Rating : 3A Max @25°C, 2.2A Max @85C
- 接触电阻 Contact Resistance: $\leq 25m\Omega$
- 绝缘电阻 Insulation Resistance: $> 100M\Omega$
- 插入力 Insertion Force : 2.8N Max
- 拔出力 Withdrawal Force : 0.2N Min
- 连接类型 Connection Type: 水平穿孔 Horizontal Throughboard
- 工作电压 Working Voltage: 800 V AC/DC
- 耐电压 Proof Voltage: 1200 V AC/DC

安装开口尺寸 Mounting Interface Design

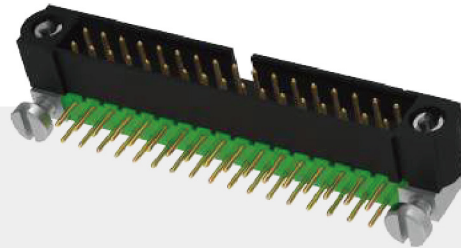


MPG256 XX 00

04 to 50 (even numbers only) XX

Rectangular Connector-Signal-MALE

- 触点间距 Contact Pitch : 2.00mm
- 行数 Number of Rows: 双排 Double Row

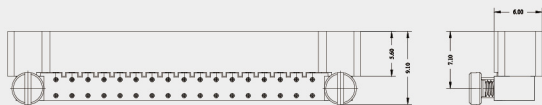
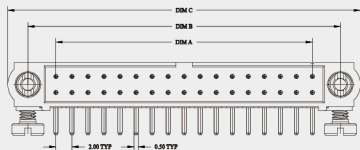


- 信号触点 Signal Contact: 铜合金 Copper Alloy
- 螺杆 Jackscrew: 不锈钢 Stainless steel
- 绝缘材料 Insulator: Glass filled PPS
- 电镀 Finish: 镀金 All over Gold
- 航空航天, 通信设备、充电设备、以及储能等电源模块的信号传输
- Signal transmission for power modules in aerospace, communications equipment, charging equipment, and energy storage.

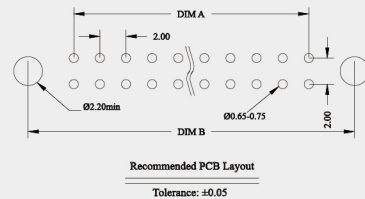
性能参数 Specification

- 芯数 Pins: 04 to 50 (even numbers only)
- 阻燃等级 Flame retardant grade: UL94V-0
- 插拔寿命 Mechanical Operations: 500 Operations
- 工作温度 Range temperature: -55°C ~+125°C
- 额定电流 Current Rating : 3A Max @25°C, 2.2A Max @85C
- 接触电阻 Contact Resistance: $\leq 25m\Omega$
- 绝缘电阻 Insulation Resistance: $>100M\Omega$
- 插入力 Insertion Force : 2.8N Max
- 拔出力 Withdrawal Force : 0.2N Min
- 连接类型 Connection Type: 水平穿孔 Horizontal Throughboard
- 工作电压 Working Voltage: 800 V AC/DC
- 耐电压 Proof Voltage: 1200 V AC/DC

安装开口尺寸 Mounting Interface Design



DIMENSION	CALCULATION
DIM A	TOTAL No.OF CONTACTS-2
DIM B	TOTAL No.OF CONTACTS+5
DIM C	TOTAL No.OF CONTACTS+10



MPG256 XX 04

04 to 50 (even numbers only)

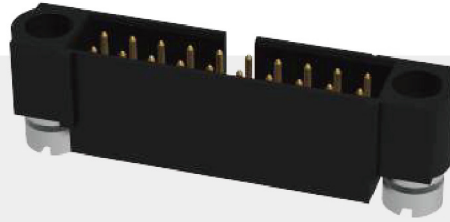
XX

Rectangular Connector-Signal-MALE

- 触点间距 Contact Pitch : 2.00mm
- 行数 Number of Rows: 双排 Double Row
- 连接器方向 Connector Orientation: 直线 Straight

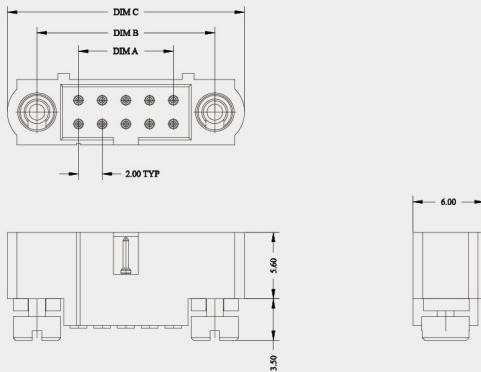
- 信号触点 Signal Contact: 铜合金 Copper Alloy
- 螺杆 Jackscrew: 不锈钢 Stainless steel
- 绝缘材料 Insulator: Glass filled PPS
- 电镀 Finish: 镀金 All over Gold

- 航空航天, 通信设备、充电设备、以及储能等电源模块的信号传输
- Signal transmission for power modules in aerospace, communications equipment, charging equipment, and energy storage.

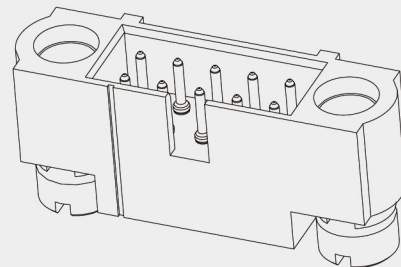


性能参数 Specification

- 芯数 Pins: 04 to 50 (even numbers only)
- 阻燃等级 Flame retardant grade: UL94V-0
- 插拔寿命 Mechanical Operations: 500 Operations
- 工作温度 Range temperature: -55°C ~+125°C
- 额定电流 Current Rating : 3A Max @25°C, 2.2A Max @85C
- 接触电阻 Contact Resistance: $\leq 25\text{m}\Omega$
- 绝缘电阻 Insulation Resistance: $>100\text{M}\Omega$
- 插入力 Insertion Force : 2.8N Max
- 拔出力 Withdrawal Force : 0.2N Min
- 工作电压 Working Voltage: 800 V AC/DC
- 耐电压 Proof Voltage: 1200 V AC/DC



DIMENSION	CALCULATION
DIM A	TOTAL No. OF CONTACTS-2
DIM B	TOTAL No. OF CONTACTS+5
DIM C	TOTAL No. OF CONTACTS+10

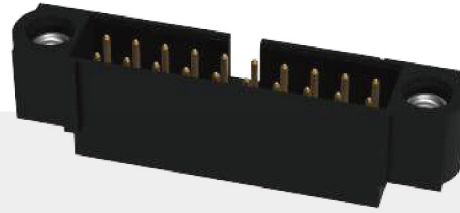


MPG278 XX 00

04 to 50 (even numbers only) XX

Rectangular Connector-Signal-MALE

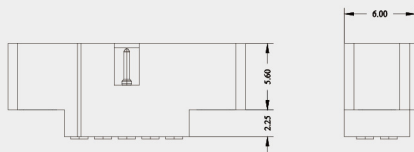
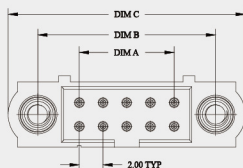
- 触点间距 Contact Pitch : 2.00mm
- 行数 Number of Rows: 双排 Double Row
- 连接器方向 Connector Orientation: 直线 Straight



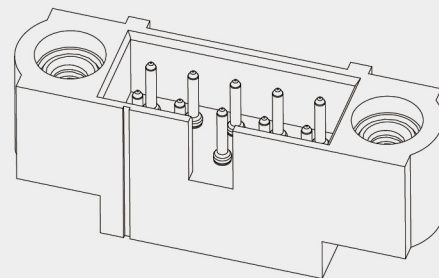
- 信号触点 Signal Contact: 铜合金 Copper Alloy
- 螺杆 Jackscrew: 不锈钢 Stainless steel
- 绝缘材料 Insulator: Glass filled PPS
- 电镀 Finish: 镀金 All over Gold
- 航空航天, 通信设备、充电设备、以及储能等电源模块的信号传输
- Signal transmission for power modules in aerospace, communications equipment, charging equipment, and energy storage.

性能参数 Specification

- 芯数 Pins: 04 to 50 (even numbers only)
- 阻燃等级 Flame retardant grade: UL94V-0
- 插拔寿命 Mechanical Operations: 500 Operations
- 工作温度 Range temperature: -55°C ~+125°C
- 额定电流 Current Rating : 3A Max @25°C, 2.2A Max @85C
- 接触电阻 Contact Resistance: $\leq 25\text{m}\Omega$
- 绝缘电阻 Insulation Resistance: $>100\text{M}\Omega$
- 插入力 Insertion Force : 2.8N Max
- 拔出力 Withdrawal Force : 0.2N Min
- 工作电压 Working Voltage: 800 V AC/DC
- 耐电压 Proof Voltage: 1200 V AC/DC



DIMENSION	CALCULATION
DIM A	TOTAL No. OF CONTACTS-2
DIM B	TOTAL No. OF CONTACTS+5
DIM C	TOTAL No. OF CONTACTS+10

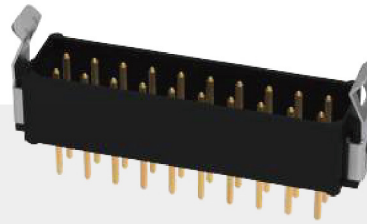


MPG278 XX 01

04 to 50 (even numbers only) XX

Rectangular Connector-Signal-MALE

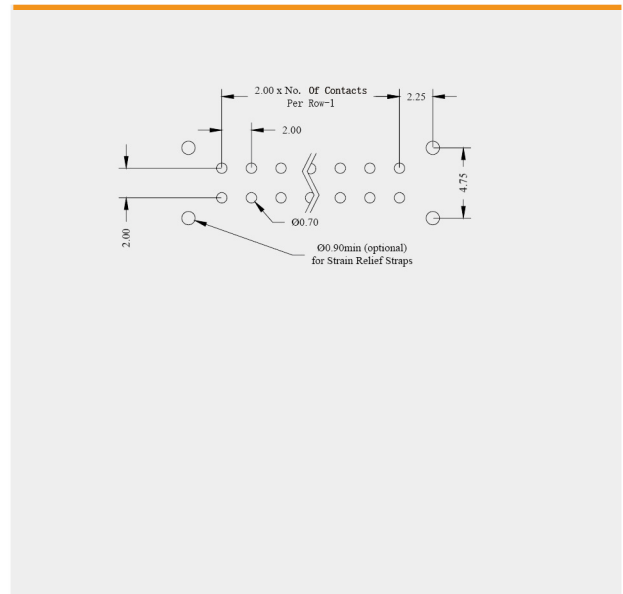
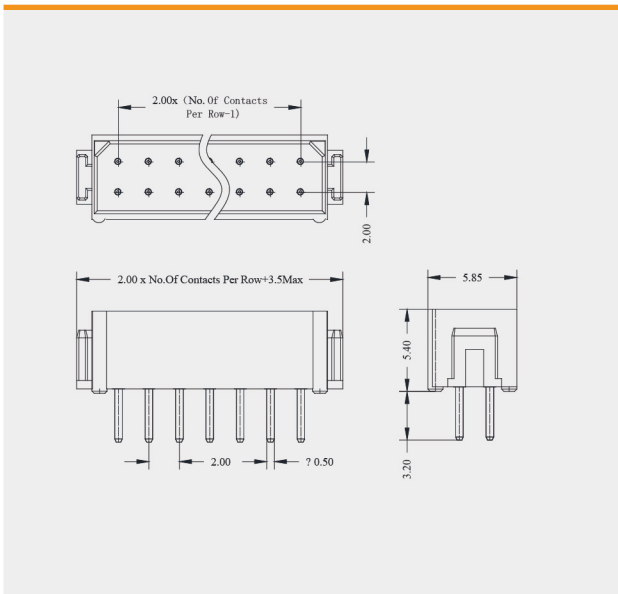
- 触点间距 Contact Pitch : 2.00mm
- 行数 Number of Rows: 双排 Double Row



- 信号触点 Signal Contact: 铜合金copper alloy
- 锁紧夹 latches: 不锈钢 Stainless steel
- 绝缘材料 Insulator: Glass filled PPS
- 电镀 Finish: 镀金 All over Gold
- 航空航天, 通信设备、充电设备、以及储能等电源模块的信号传输
- Signal transmission for power modules in aerospace, communications equipment, charging equipment, and energy storage.

性能参数 Specification

- 芯数 Pins: 04 to 50 (even numbers only)
- 阻燃等级 Flame retardant grade: UL94V-0
- 插拔寿命 Mechanical Operations: 500 Operations
- 工作温度 Range temperature: -55°C ~+125°C
- 额定电流 Current Rating : 3A Max @25°C, 2.2A Max @85C
- 接触电阻 Contact Resistance: $\leq 25\text{m}\Omega$
- 绝缘电阻 Insulation Resistance: $>100\text{M}\Omega$
- 插入力 Insertion Force : 2.8N Max
- 拔出力 Withdrawal Force : 0.2N Min
- 连接类型 Connection Type: 垂直通孔 Vertical Throughboard
- 工作电压 Working Voltage: 800 V AC/DC
- 耐电压 Proof Voltage: 1200 V AC/DC

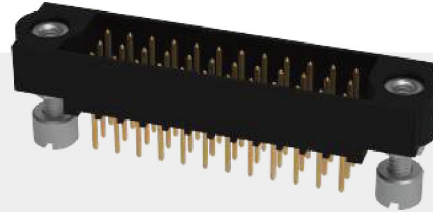


MPG251 XX 00

04 to 50 (even numbers only) XX

Rectangular Connector-Signal-MALE

- 触点间距 Contact Pitch : 2.00mm
- 行数 Number of Rows: 3-Row

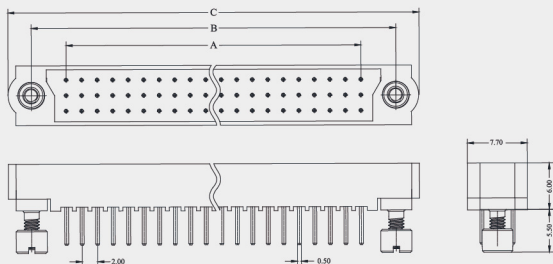


- 信号触点 Signal Contact: 铜合金copper alloy
- 螺杆 Jackscrew: 不锈钢 Stainless steel
- 绝缘材料 Insulator: Glass filled PPS
- 电镀 Finish: 镀金 All over Gold
- 航空航天, 通信设备、充电设备、以及储能等电源模块的信号传输
- Signal transmission for power modules in aerospace, communications equipment, charging equipment, and energy storage.

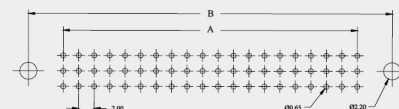
性能参数 Specification

- 芯数 Pins: 18,27,36,54,60,72,96
- 阻燃等级 Flame retardant grade: UL94V-0
- 插拔寿命 Mechanical Operations: 500 Operations
- 工作温度 Range temperature: -55°C ~+125°C
- 额定电流 Current Rating : 3A Max @25°C, 2.2A Max @85C
- 接触电阻 Contact Resistance: $\leq 25m\Omega$
- 绝缘电阻 Insulation Resistance: $>100M\Omega$
- 插入力 Insertion Force : 1N Max
- 拔出力 Withdrawal Force : 0.2N Min
- 连接类型 Connection Type: 垂直通孔 Vertical Throughboard
- 工作电压 Working Voltage: 120 V AC/DC
- 耐电压 Proof Voltage: 360 V AC/DC

安装开口尺寸 Mounting Interface Design



DIMENSION	CALCULATION
DIM A	$((TOTAL\ No.OF\ CONTACTS/3)*2)-2$
DIM B	$((TOTAL\ No.OF\ CONTACTS/3)*2)+7$
DIM C	$((TOTAL\ No.OF\ CONTACTS/3)*2)+13$



MPG260 XX 00

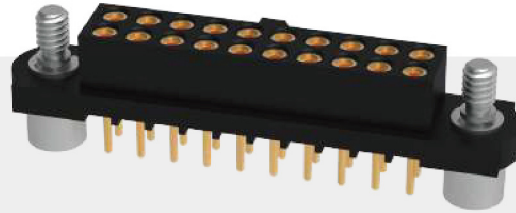
18,27,36,54,60,96

XX

Rectangular Connector-Signal-FEMALE

- 触点间距 Contact Pitch : 2.00mm
- 行数 Number of Rows: 双排 Double Row

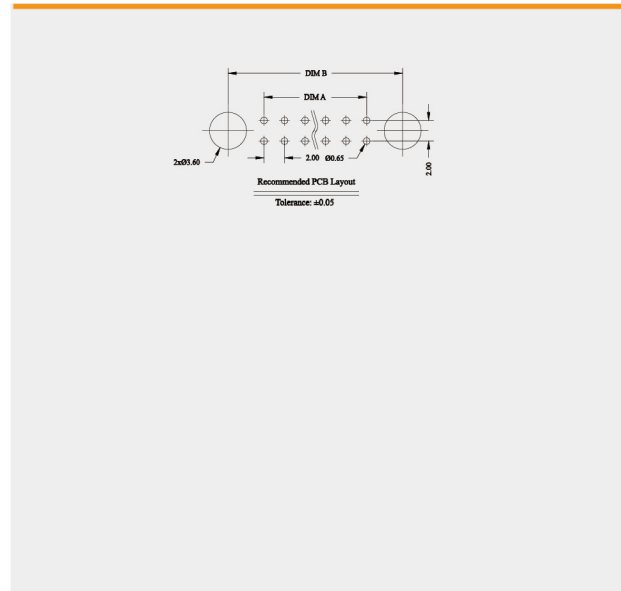
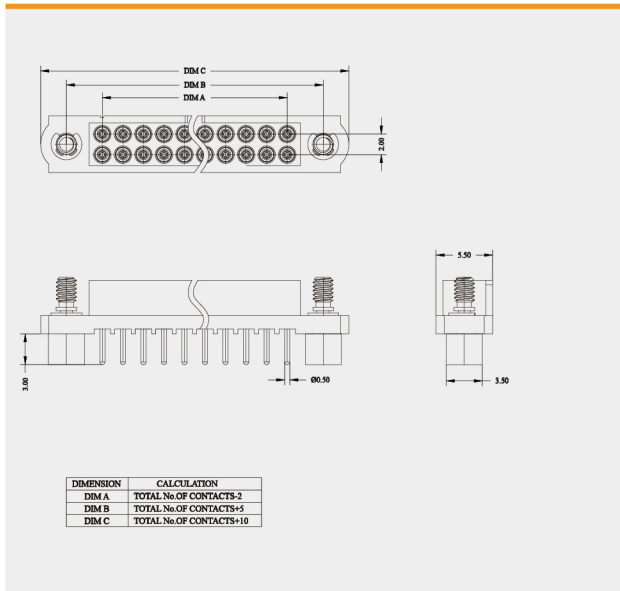
- 信号触点 Signal Contact: 铜合金 Copper alloy
- 螺杆 Jackscrew: 不锈钢 Stainless steel
- 绝缘材料 Insulator: Glass filled PPS
- 电镀 Finish: 镀金 All over Gold
- 航空航天, 通信设备、充电设备、以及储能等电源模块的信号传输
- Signal transmission for power modules in aerospace, communications equipment, charging equipment, and energy storage.



性能参数 Specification

- 芯数 Pins: 04 to 50 (even numbers only)
- 阻燃等级 Flame retardant grade: UL94V-0
- 插拔寿命 Mechanical Operations: 500 Operations
- 工作温度 Range temperature: -55°C ~+125°C
- 额定电流 Current Rating : 3A Max @25°C, 2.2A Max @85°C
- 接触电阻 Contact Resistance: $\leq 25m\Omega$
- 绝缘电阻 Insulation Resistance: $>100M\Omega$
- 插入力 Insertion Force : 2.8N Max
- 拔出力 Withdrawal Force : 0.2N Min
- 连接类型 Connection Type: 垂直通孔 Vertical Throughboard
- 工作电压 Working Voltage: 120 V AC/DC
- 耐电压 Proof Voltage: 360 V AC/DC

安装开口尺寸 Mounting Interface Design

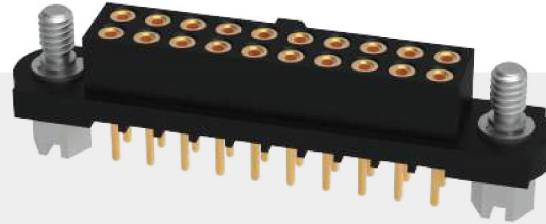


MPM252 XX 00

04 to 50 (even numbers only) XX

Rectangular Connector-Signal-FEMALE

- 触点间距 Contact Pitch : 2.00mm
- 行数 Number of Rows: 双排 Double Row

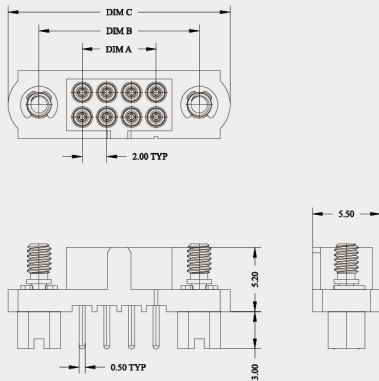


- 信号触点 Signal Contact: 铜合金 Copper alloy
- 螺杆 Jackscrew: 不锈钢 Stainless steel
- 绝缘材料 Insulator: Glass filled PPS
- 电镀 Finish: 镀金 All over Gold
- 航空航天, 通信设备、充电设备、以及储能等电源模块的信号传输
- Signal transmission for power modules in aerospace, communications equipment, charging equipment, and energy storage.

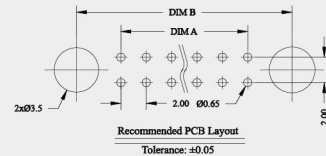
性能参数 Specification

- 芯数 Pins: 04 to 50 (even numbers only)
- 阻燃等级 Flame retardant grade: UL94V-0
- 插拔寿命 Mechanical Operations: 500 Operations
- 工作温度 Range temperature: -55°C ~+125°C
- 额定电流 Current Rating : 3A Max @25°C, 2.2A Max @85°C
- 接触电阻 Contact Resistance: $\leq 25m\Omega$
- 绝缘电阻 Insulation Resistance: $>100M\Omega$
- 插入力 Insertion Force : 2.8N Max
- 拔出力 Withdrawal Force : 0.2N Min
- 连接类型 Connection Type: 垂直通孔 Vertical Throughboard
- 工作电压 Working Voltage: 120 V AC/DC
- 耐电压 Proof Voltage: 360 V AC/DC

安装开口尺寸 Mounting Interface Design



DIMENSION	CALCULATION
DIM A	TOTAL No.OF CONTACTS-2
DIM B	TOTAL No.OF CONTACTS+5
DIM C	TOTAL No.OF CONTACTS+10



MPM252 XX 01

04 to 50 (even numbers only) XX

Rectangular Connector-Signal-FEMALE

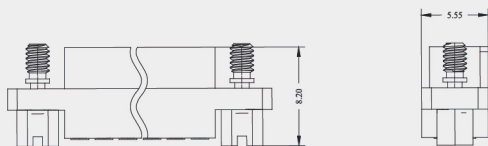
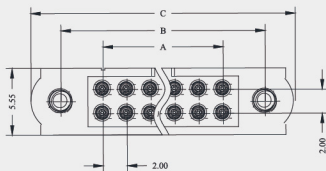
- 触点间距 Contact Pitch : 2.00mm
- 行数 Number of Rows: 双排 Double Row
- 电缆导线尺寸 Cable Conductor Size: 24-28AWG



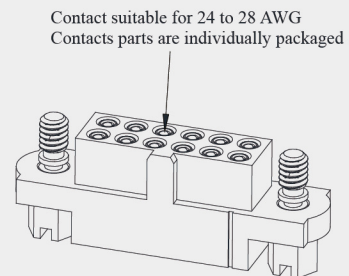
- 信号触点 Signal Contact: 铜合金 Copper alloy
 - 螺杆 Jackscrew: 不锈钢 Stainless steel
 - 绝缘材料 Insulator: Glass filled PPS
 - 电镀 Finish: 镀金 All over Gold
- 航空航天, 通信设备、充电设备、以及储能等电源模块的信号传输
 - Signal transmission for power modules in aerospace, communications equipment, charging equipment, and energy storage.

性能参数 Specification

- 芯数 Pins: 04 to 50 (even numbers only)
- 阻燃等级 Flame retardant grade: UL94V-0
- 插拔寿命 Mechanical Operations: 500 operations
- 工作温度 Range temperature: -55°C ~+125°C
- 额定电流 Current Rating : 3A Max @25°C, 2.2A Max @85°C
- 接触电阻 Contact Resistance: $\leq 25m\Omega$
- 绝缘电阻 Insulation Resistance: $>100M\Omega$
- 插入力 Insertion Force : 2.8N Max
- 拔出力 Withdrawal Force : 0.2N Min
- 连接类型 Connection Type: 压接 Crimp
- 工作电压 Working Voltage: 120 V AC/DC
- 耐电压 Proof Voltage: 360 V AC/DC



DIMENSION	CALCULATION
DIM A	TOTAL No.OF CONTACTS-2
DIM B	TOTAL No.OF CONTACTS+5
DIM C	TOTAL No.OF CONTACTS+10



MPM275 XX 00

04 to 50 (even numbers only) XX

Rectangular Connector-Signal-FEMALE

- 触点间距 Contact Pitch : 2.00mm
- 电缆导线尺寸 Cable Conductor Size: 24-28AWG
- 行数Number of Rows: 双排 Double Row

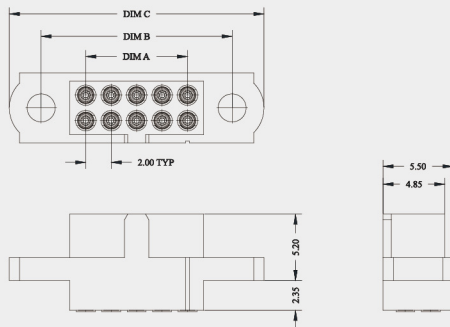


- 信号触点 Signal Contact: 铜合金Copper alloy
- 绝缘材料Insulator: Glass filled PPS
- 电镀 Finish: 镀金 All over Gold

- 航空航天, 通信设备、充电设备、以及储能等电源模块的信号传输
- Signal transmission for power modules in aerospace, communications equipment, charging equipment, and energy storage.

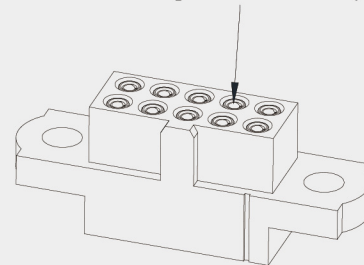
性能参数Specification

- 芯数 Pins: 04 to 50 (even numbers only)
- 阻燃等级 Flame retardant grade: UL94V-0
- 插拔寿命 Mechanical Operations: 500 Operations
- 工作温度 Range temperature: -55°C ~+125°C
- 额定电流 Current Rating : 3A Max @25°C, 2.2A Max @85°C
- 接触电阻 Contact Resistance: $\leq 25m\Omega$
- 绝缘电阻 Insulation Resistance: $>100M\Omega$
- 插入力 Insertion Force : 2.8N Max
- 拔出力 Withdrawal Force : 0.2N Min
- 工作电压 Working Voltage: 120V AC/DC
- 耐电压 ProofVoltage: 360 V AC/DC
- 连接类型 Connection Type: 压接Crimp



DIMENSION	CALCULATION
DIM A	TOTAL No.OF CONTACTS-2
DIM B	TOTAL No.OF CONTACTS+5
DIM C	TOTAL No.OF CONTACTS+10

Contact suitable for 24 to 28 AWG
Contacts parts are individually packaged



MPM275 XX 01

04 to 50 (even numbers only) XX

Rectangular Connector-Signal-FEMALE

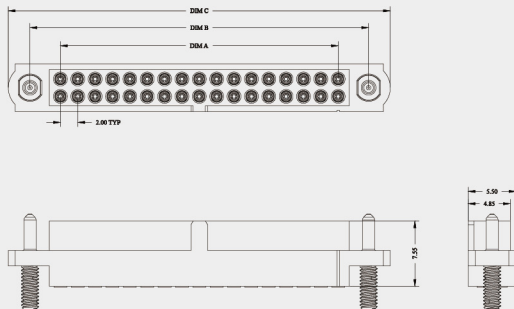
- 触点间距 Contact Pitch : 2.00mm
- 电缆导线尺寸 Cable Conductor Size: 24-28AWG
- 行数 Number of Rows: 双排 Double Row



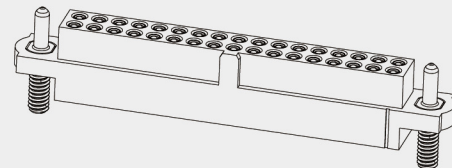
- 信号触点 Signal Contact: 铜合金 Copper alloy
- 螺杆 Jackscrew: 不锈钢 Stainless steel
- 绝缘材料 Insulator: Glass filled PPS
- 电镀 Finish: 镀金 All over Gold
- 航空航天, 通信设备、充电设备、以及储能等电源模块的信号传输
- Signal transmission for power modules in aerospace, communications equipment, charging equipment, and energy storage.

性能参数 Specification

- 芯数 Pins: 04 to 50 (even numbers only)
- 阻燃等级 Flame retardant grade: UL94V-0
- 插拔寿命 Mechanical Operations: 500 operations
- 工作温度 Range temperature: -55°C ~+125°C
- 额定电流 Current Rating : 3A Max @25°C, 2.2A Max @85°C
- 接触电阻 Contact Resistance: $\leq 25m\Omega$
- 绝缘电阻 Insulation Resistance: $>100M\Omega$
- 插入力 Insertion Force : 2.8N Max
- 拔出力 Withdrawal Force : 0.2N Min
- 工作电压 Working Voltage: 120 V AC/DC
- 耐电压 Proof Voltage: 360 V AC/DC
- 连接类型 Connection Type: 压接 Crimp



DIMENSION	CALCULATION
DIM A	TOTAL No.OF CONTACTS-2
DIM B	TOTAL No.OF CONTACTS+5
DIM C	TOTAL No.OF CONTACTS+10



MPM275 XX 04

04 to 50 (even numbers only) XX

Rectangular Connector-Signal-FEMALE

- 触点间距 Contact Pitch : 2.00mm
- 电缆导线尺寸 Cable Conductor Size: 24-28AWG
- 行数 Number of Rows: 双排 Double Row

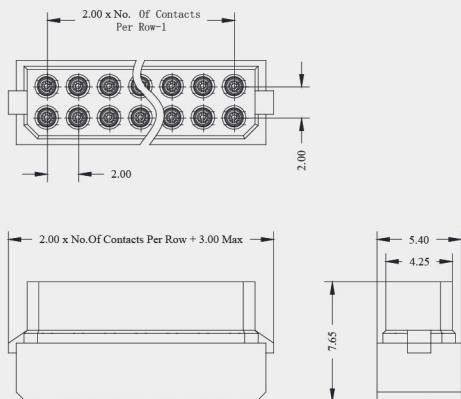


- 信号触点 Signal Contact: 铜合金Copper alloy
- 绝缘材料 Insulator: Glass filled PPS
- 电镀 Finish: 镀金 All over Gold

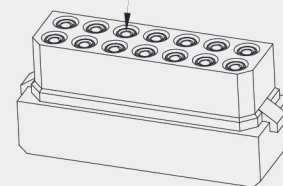
- 航空航天, 通信设备、充电设备、以及储能等电源模块的信号传输
- Signal transmission for power modules in aerospace, communications equipment, charging equipment, and energy storage.

性能参数 Specification

- 芯数 Pins: 04 to 50 (even numbers only)
- 阻燃等级 Flame retardant grade: UL94V-0
- 插拔寿命 Mechanical Operations: 500 Operations
- 工作温度 Range temperature: -55°C ~+125°C
- 额定电流 Current Rating : 3A Max @25°C, 2.2A Max @85°C
- 接触电阻 Contact Resistance: $\leq 25m\Omega$
- 绝缘电阻 Insulation Resistance: $>100M\Omega$
- 插入力 Insertion Force : 2.8N Max
- 拔出力 Withdrawal Force : 0.2N Min
- 工作电压 Working Voltage: 800 V AC/DC
- 耐电压 Proof Voltage: 1200 V AC/DC
- 连接类型 Connection Type: 压接Crimp



Contacts parts are individually packaged

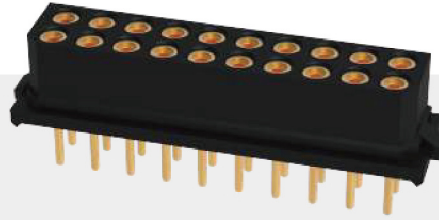


MPM276 XX 00

04 to 50 (even numbers only) XX

Rectangular Connector-Signal-FEMALE

- 触点间距 Contact Pitch : 2.00mm
- 行数(Number of Rows: 双排 Double Row

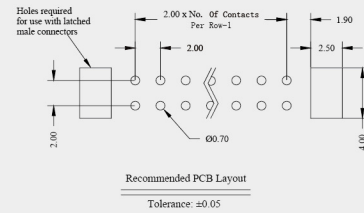
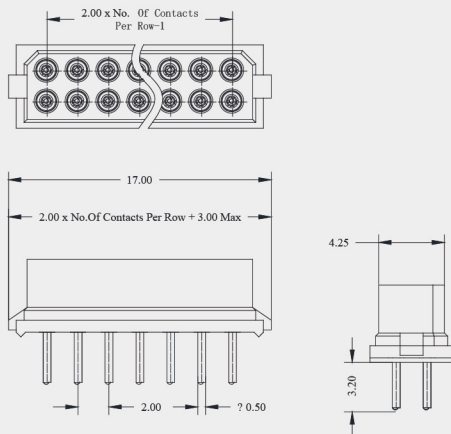


- 信号触点 Signal Contact: 铜合金Copper alloy
- 绝缘材料Insulator: Glass filled PPS
- 电镀 Finish: 镀金 All over Gold
- 航空航天, 通信设备、充电设备、以及储能等电源模块的信号传输
- Signal transmission for power modules in aerospace, communications equipment, charging equipment, and energy storage.

性能参数Specification

- 芯数 Pins: 04 to 50 (even numbers only)
- 阻燃等级 Flame retardant grade: UL94V-0
- 插拔寿命 Mechanical Operations: 500 Operations
- 工作温度 Range temperature: -55°C ~+125°C
- 额定电流 Current Rating : 3A Max @25°C, 2.2A Max @85°C
- 接触电阻 Contact Resistance: $\leq 25m\Omega$
- 绝缘电阻 Insulation Resistance: $>100M\Omega$
- 插入力 Insertion Force : 2.0N Max
- 拔出力 Withdrawal Force : 0.2N Min
- 连接类型 Connection Type: 垂直通孔Vertical Throughboard
- 工作电压 Working Voltage: 800 V AC/DC
- 耐电压 ProofVoltage: 1200 V AC/DC

安装开口尺寸 Mounting Interface Design



MPM247 XX 00

04 to 50 (even numbers only) XX

Rectangular Connector-Signal-FEMALE

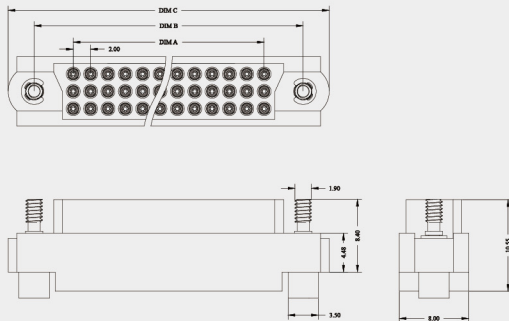
- 触点间距 Contact Pitch : 2.00mm
- 电缆导线尺寸 Cable Conductor Size: 24-28AWG
- 行数 Number of Rows: 3- Row



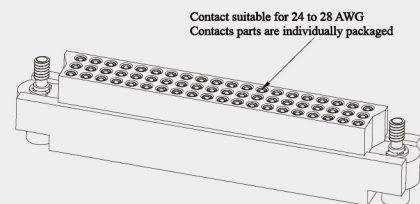
- 信号触点 Signal Contact: 铜合金Copper alloy
- 螺杆 Jackscrew: 不锈钢 Stainless steel
- 绝缘材料 Insulator: Glass filled PPS
- 电镀 Finish: 镀金 All over Gold
- 航空航天, 通信设备、充电设备、以及储能等电源模块的信号传输
- Signal transmission for power modules in aerospace, communications equipment, charging equipment, and energy storage.

性能参数 Specification

- 芯数 Pins: 18,27,36,54,60,72,96
- 阻燃等级 Flame retardant grade: UL94V-0
- 插拔寿命 Mechanical Operations: 500 Operations
- 工作温度 Range temperature: -55°C ~+125°C
- 额定电流 Current Rating : 3A Max @25°C, 2.2A Max @85°C
- 接触电阻 Contact Resistance: $\leq 25m\Omega$
- 绝缘电阻 Insulation Resistance: $>100M\Omega$
- 插入力 Insertion Force : 1.0N Max
- 拔出力 Withdrawal Force : 0.2N Min
- 工作电压 Working Voltage: 800 V AC/DC
- 耐电压 Proof Voltage: 1200 V AC/DC
- 连接类型 Connection Type: 压接Crimp



DIMENSION	CALCULATION
DIM A	$((TOTAL\ No.\ OF\ CONTACTS/3)*2)-2$
DIM B	$((TOTAL\ No.\ OF\ CONTACTS/3)*2)+7$
DIM C	$((TOTAL\ No.\ OF\ CONTACTS/3)*2)+13$



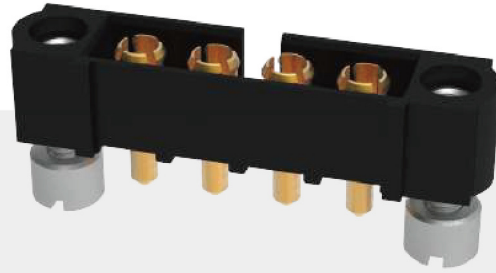
MPM210 XX 00

18,27,36,54,60,72,96

XX

Rectangular Connector-Power-MALE

- 触点间距 Contact Pitch: 4.00mm
- 行数 Number of Rows: single row
- 连接器方向 Connector Orientation: 垂直通孔 Vertical Throughboard

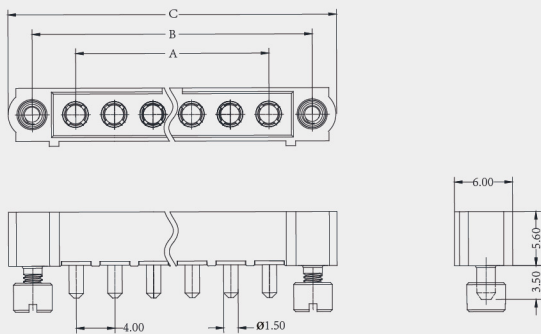


- 电镀 Finish: 镍底镀金 Au&Ni
- 电源触点 Power Contact: 铜合金 Copper Alloy
- 螺杆 Jackscrew: 不锈钢 Stainless steel
- 绝缘材料 Insulator: Glass filled PPS
- 航空航天, 通信设备、充电设备、以及储能等电源模块的功率传输
- Power transfer in power modules for aerospace, communication equipment, charging equipment, and energy storage.

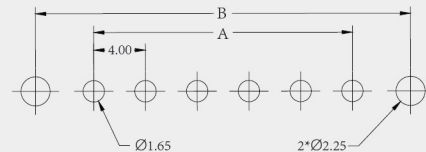
性能参数 Specification

- 芯数 Pins: 02,04,06,08,10,12
- 阻燃等级 Flame retardant grade: UL94V-0
- 插拔寿命 Mechanical Operations: 500 Operations
- 工作温度 Range temperature: -55°C ~ +125°C
- 接触电阻 Contact Resistance: < 6 mΩ
- 额定电流 Current Rating: 20A Max with 12AWG
- 插入力 Insertion Force: 8N Max
- 拔出力 Withdrawal Force: 0.5N Min
- 工作电压 Working Voltage: 800 V AC/DC
- 耐电压 Proof Voltage: 1200 V AC/DC
- 绝缘电阻 Insulation Resistance: >100MΩ

安装开口尺寸 Mounting Interface Design



DIMENSION	CALCULATION
DIM A	No.OF CONTACTS*4-4
DIM B	No.OF CONTACTS*4+5
DIM C	No.OF CONTACTS*4+10

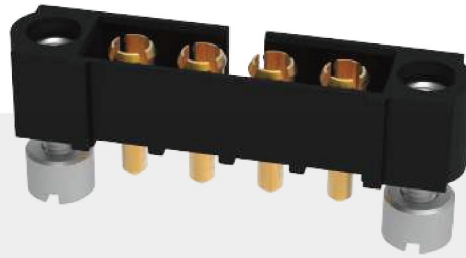


MPGX56 XX 02

02,04,06,08,10,12 XX

Rectangular Connector-Power-MALE

- 触点间距 Contact Pitch: 4.00mm
- 行数 Number of Rows: single row
- 连接器方向 Connector Orientation: 垂直穿孔 Vertical Throughboard

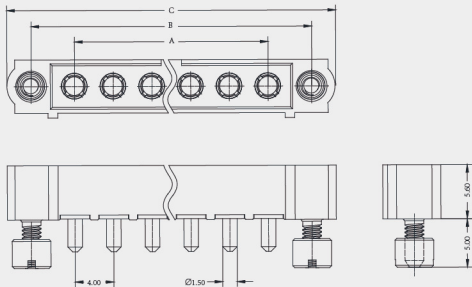


- 电镀 Finish: 镍底镀金 Au&Ni
- 电源触点 Power Contact: 铜合金 Copper Alloy
- 螺杆 Jackscrew: 不锈钢 Stainless steel
- 绝缘材料 Insulator: Glass filled PPS
- 航空航天, 通信设备、充电设备、以及储能等电源模块的功率传输
- Power transfer in power modules for aerospace, communication equipment, charging equipment, and energy storage.

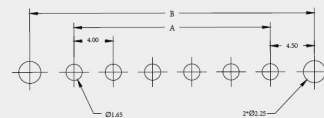
性能参数 Specification

- 芯数 Pins: 02,04,06,08,10,12
- 阻燃等级 Flame retardant grade: UL94V-0
- 插拔寿命 Mechanical Operations: 500 Operations
- 工作温度 Range temperature: -55°C ~ +125°C
- 接触电阻 Contact Resistance: < 6 mΩ
- 额定电流 Current Rating: 20A Max with 12AWG
- 插入力 Insertion Force: 8N Max
- 拔出力 Withdrawal Force: 0.5N Min
- 工作电压 Working Voltage: 800 V AC/DC
- 耐电压 Proof Voltage: 1200 V AC/DC
- 绝缘电阻 Insulation Resistance: >100MΩ

安装开口尺寸 Mounting Interface Design



DIMENSION	CALCULATION
DIM A	No.OF CONTACTS*4-4
DIM B	No.OF CONTACTS*4+5
DIM C	No.OF CONTACTS*4+10



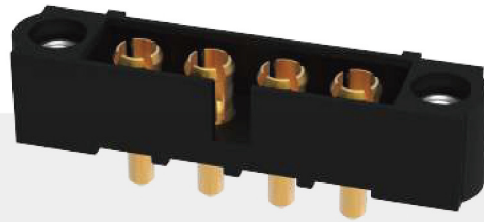
MPGX56 XX 03

02,04,06,08,10,12

XX

Rectangular Connector-Power-MALE

- 触点间距 Contact Pitch: 4.00mm
- 行数 Number of Rows: single row
- 连接器方向 Connector Orientation: 垂直通孔 Vertical Throughboard

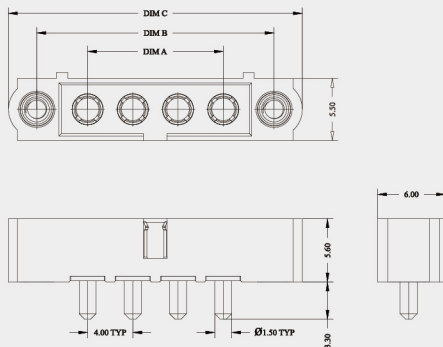


- 电镀 Finish: 镍底镀金 Au&Ni
- 电源触点 Power Contact: 铜合金 Copper Alloy
- 螺杆 Jackscrew: 不锈钢 Stainless steel
- 绝缘材料 Insulator: Glass filled PPS
- 航空航天, 通信设备、充电设备、以及储能等电源模块的功率传输
- Power transfer in power modules for aerospace, communication equipment, charging equipment, and energy storage.

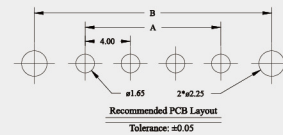
性能参数 Specification

- 芯数 Pins: 02,04,06,08,10,12
- 阻燃等级 Flame retardant grade: UL94V-0
- 插拔寿命 Mechanical Operations: 500 Operations
- 工作温度 Range temperature: -55°C ~ +125°C
- 接触电阻 Contact Resistance: < 6 mΩ
- 额定电流 Current Rating: 20A Max with 12AWG
- 插入力 Insertion Force: 8N Max
- 拔出力 Withdrawal Force: 0.5N Min
- 工作电压 Working Voltage: 800 V AC/DC
- 耐电压 Proof Voltage: 1200 V AC/DC
- 绝缘电阻 Insulation Resistance: >100MΩ

安装开口尺寸 Mounting Interface Design



DIMENSION	CALCULATION
DIM A	No.OF CONTACTS*4-4
DIM B	No.OF CONTACTS*4+5
DIM C	No.OF CONTACTS*4+10



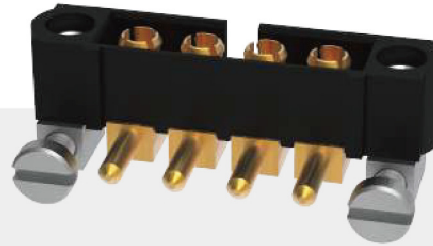
MPGX56 XX 04

02,04,06,08,10,12

XX

Rectangular Connector-Power-MALE

- 触点间距 Contact Pitch: 4.00mm
- 行数 Number of Rows: single row
- 连接类型 Connection Type: 水平通孔 Horizontal Throughboard

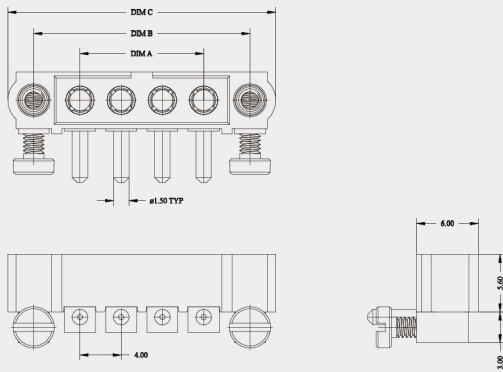


- 电镀 Finish: 镍底镀金 Au&Ni
- 电源触点 Power Contact: 铜合金 Copper Alloy
- 螺杆 Jackscrew: 不锈钢 Stainless steel
- 绝缘材料 Insulator: Glass filled PPS
- 航空航天, 通信设备、充电设备、以及储能等电源模块的功率传输
- Power transfer in power modules for aerospace, communication equipment, charging equipment, and energy storage.

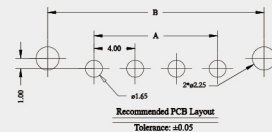
性能参数 Specification

- 芯数 Pins: 02,04,06,08,10,12
- 阻燃等级 Flame retardant grade: UL94V-0
- 插拔寿命 Mechanical Operations: 500 Operations
- 工作温度 Range temperature: -55°C ~ +125°C
- 接触电阻 Contact Resistance: < 6 mΩ
- 额定电流 Current Rating: 20A Max with 12AWG
- 插入力 Insertion Force: 8N Max
- 拔出力 Withdrawal Force: 0.5N Min
- 工作电压 Working Voltage: 800 V AC/DC
- 耐电压 Proof Voltage: 1200 V AC/DC
- 绝缘电阻 Insulation Resistance: >100MΩ

安装开口尺寸 Mounting Interface Design



DIMENSION	CALCULATION
DIM A	No.OF CONTACTS*4-4
DIM B	No.OF CONTACTS*4+5
DIM C	No.OF CONTACTS*4+10



MPGX56 XX 05

02,04,06,08,10,12

XX

Rectangular Connector-Power-FEMALE

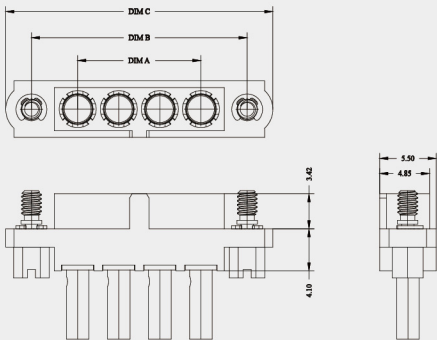
- 触点间距 Contact Pitch: 4.00mm
- 电缆导线尺寸 Cable Conductor Size: 18AWG
- 行数 Number of Rows: single row



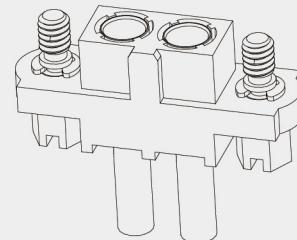
- 电镀 Finish: 镍底镀金 Au&Ni
- 电源触点 Power Contact: 铜合金 Copper Alloy
- 螺杆 Jackscrew: 不锈钢 Stainless steel
- 绝缘材料 Insulator: Glass filled PPS
- 航空航天, 通信设备、充电设备、以及储能等电源模块的功率传输
- Power transfer in power modules for aerospace, communication equipment, charging equipment, and energy storage.

性能参数 Specification

- 芯数 Pins: 02,04,06,08,10,12
- 阻燃等级 Flame retardant grade: UL94V-0
- 插拔寿命 Mechanical Operations: 500 Operations
- 工作温度 Range temperature: -55°C ~+125°C
- 接触电阻 Contact Resistance: < 6 mΩ
- 额定电流 Current Rating: 8A Max with 18AWG
- 插入力 Insertion Force: 8N Max
- 拔出力 Withdrawal Force: 0.5N Min
- 工作电压 Working Voltage: 800 V AC/DC
- 耐电压 Proof Voltage: 1200 V AC/DC
- 绝缘电阻 Insulation Resistance: 100MΩ
- 连接类型 Connection Type: 压接 Crimp



DIMENSION	CALCULATION
DIM A	No. OF CONTACTS*4-4
DIM B	No. OF CONTACTS*4+5
DIM C	No. OF CONTACTS*4+10



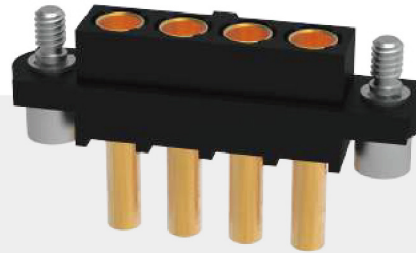
MPMX75 XX 05

02,04,06,08,10,12

XX

Rectangular Connector-Power-FEMALE

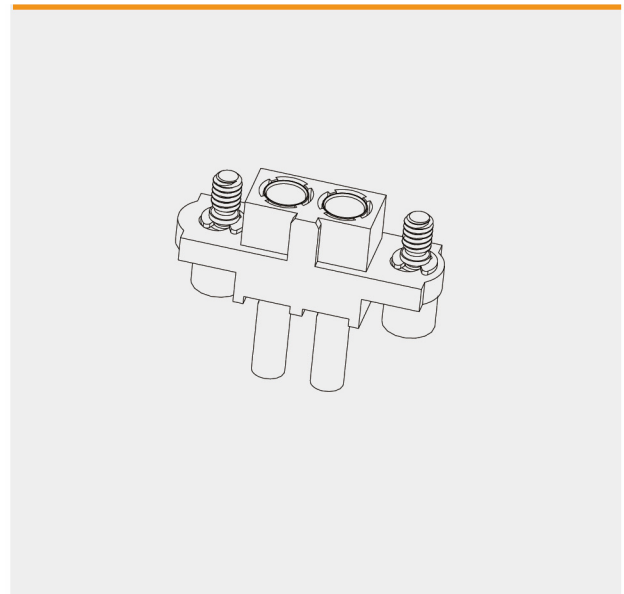
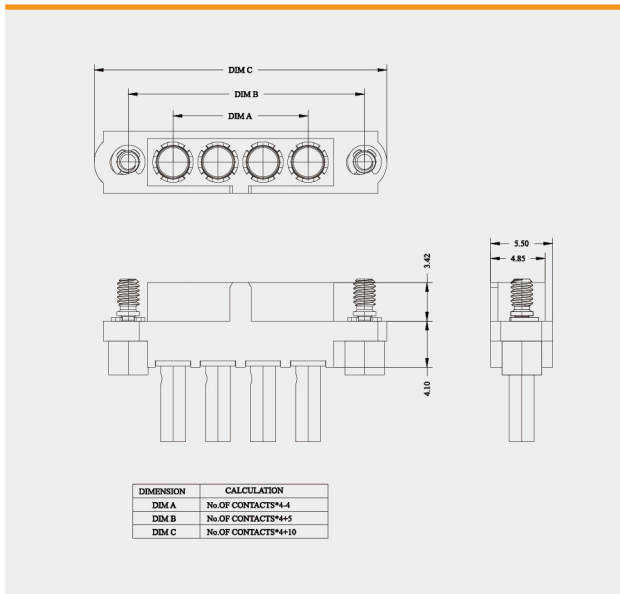
- 触点间距 Contact Pitch: 4.00mm
- 电缆导线尺寸 Cable Conductor Size: 18AWG
- 行数 Number of Rows: single row



- 电镀 Finish: 镍底镀金 Au&Ni
- 电源触点 Power Contact: 铜合金 Copper Alloy
- 螺杆 Jackscrew: 不锈钢 Stainless steel
- 绝缘材料 Insulator: Glass filled PPS
- 航空航天, 通信设备、充电设备、以及储能等电源模块的功率传输
- Power transfer in power modules for aerospace, communication equipment, charging equipment, and energy storage.

性能参数 Specification

- 芯数 Pins: 02,04,06,08,10,12
- 阻燃等级 Flame retardant grade: UL94V-0
- 插拔寿命 Mechanical Operations: 500 Operations
- 工作温度 Range temperature: -55°C ~+125°C
- 接触电阻 Contact Resistance: < 6 mΩ
- 额定电流 Current Rating: 8A Max with 18AWG
- 插入力 Insertion Force: 8N Max
- 拔出力 Withdrawal Force: 0.5N Min
- 工作电压 Working Voltage: 800 V AC/DC
- 耐电压 Proof Voltage: 1200 V AC/DC
- 绝缘电阻 Insulation Resistance: 100MΩ
- 连接类型 Connection Type: 压接 Crimp



MPMX75 XX 06

02,04,06,08,10,12

XX

Rectangular Connector-Power-FEMALE

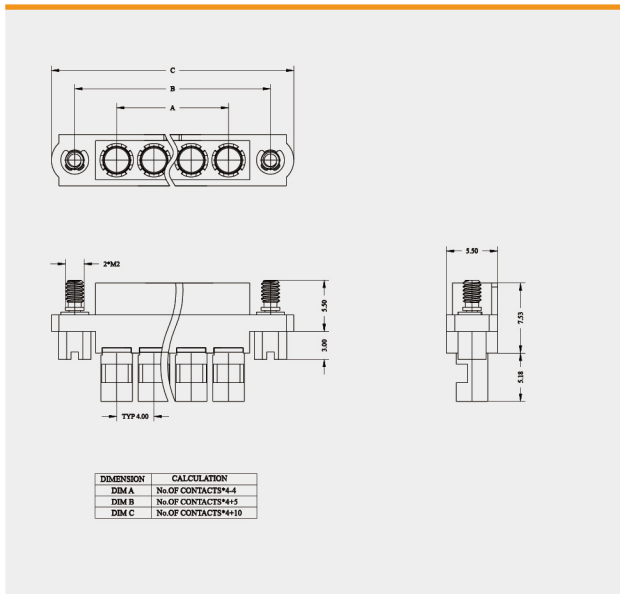
- 触点间距 Contact Pitch: 4.00mm
- 电缆导线尺寸 Cable Conductor Size: 12AWG
- 行数 Number of Rows: single row



- 电镀 Finish: 镍底镀金 Au&Ni
- 电源触点 Power Contact: 铜合金 Copper Alloy
- 螺杆 Jackscrew: 不锈钢 Stainless steel
- 绝缘材料 Insulator: Glass filled PPS
- 航空航天, 通信设备、充电设备、以及储能等电源模块的功率传输
- Power transfer in power modules for aerospace, communication equipment, charging equipment, and energy storage.

性能参数 Specification

- 芯数 Pins: 02,04,06,08,10,12
- 阻燃等级 Flame retardant grade: UL94V-0
- 插拔寿命 Mechanical Operations: 500 Operations
- 工作温度 Range temperature: -55°C ~ +125°C
- 接触电阻 Contact Resistance: < 6 mΩ
- 额定电流 Current Rating: 20A Max with 12AWG
- 插入力 Insertion Force: 8N Max
- 拔出力 Withdrawal Force: 0.5N Min
- 工作电压 Working Voltage: 800 V AC/DC
- 耐电压 Proof Voltage: 1200 V AC/DC
- 绝缘电阻 Insulation Resistance: 100MΩ
- 连接类型 Connection Type: 焊接 Solder



MPMX75 XX 02

02,04,06,08,10,12

XX

Rectangular Connector-Power-FEMALE

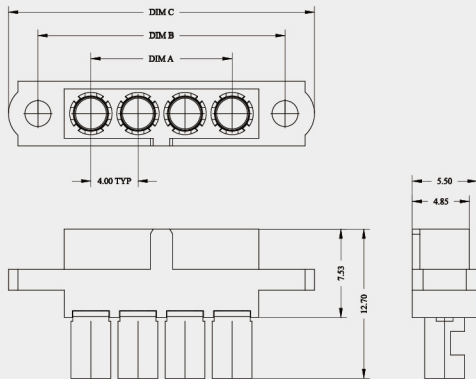
- 触点间距 Contact Pitch: 4.00mm
- 电缆导线尺寸 Cable Conductor Size: 16AWG
- 行数 Number of Rows: single row



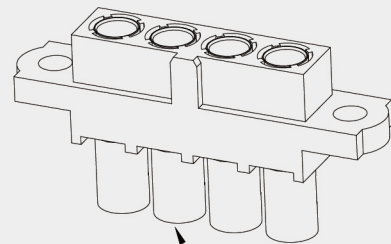
- 电镀 Finish: 镍底镀金 Au&Ni
- 电源触点 Power Contact: 铜合金 Copper Alloy
- 螺杆 Jackscrew: 不锈钢 Stainless steel
- 绝缘材料 Insulator: Glass filled PPS
- 航空航天, 通信设备、充电设备、以及储能等电源模块的功率传输
- Power transfer in power modules for aerospace, communication equipment, charging equipment, and energy storage.

性能参数 Specification

- 芯数 Pins: 02,04,06,08,10,12
- 阻燃等级 Flame retardant grade: UL94V-0
- 插拔寿命 Mechanical Operations: 500 Operations
- 工作温度 Range temperature: -55°C ~ +125°C
- 接触电阻 Contact Resistance: < 6 mΩ
- 额定电流 Current Rating: 10A Max with 16AWG
- 插入力 Insertion Force: 8N Max
- 拔出力 Withdrawal Force: 0.5N Min
- 工作电压 Working Voltage: 800 V AC/DC
- 耐电压 Proof Voltage: 1200 V AC/DC
- 绝缘电阻 Insulation Resistance: 100MΩ
- 连接类型 Connection Type: 焊接 Solder



DIMENSION	CALCULATION
DIM A	No.OF CONTACTS*4-4
DIM B	No.OF CONTACTS*4+5
DIM C	No.OF CONTACTS*4+10



Power solder contact suitable for 16 AWG

MPMX75 XX 04

02,04,06,08,10,12

XX

Rectangular Connector-Power-FEMALE

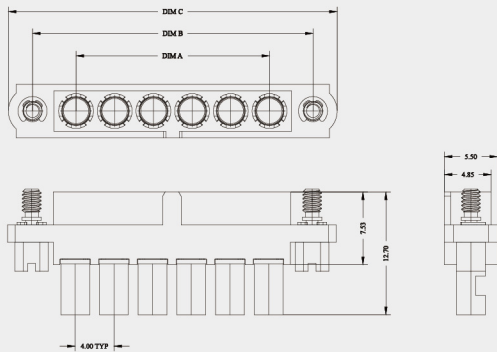
- 触点间距 Contact Pitch: 4.00mm
- 电缆导线尺寸 Cable Conductor Size: 14AWG
- 行数 Number of Rows: single row



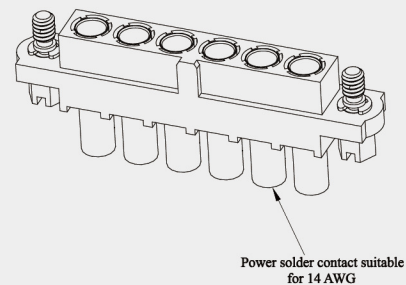
- 电镀 Finish: 镍底镀金 Au&Ni
- 电源触点 Power Contact: 铜合金 Copper Alloy
- 螺杆 Jackscrew: 不锈钢 Stainless steel
- 绝缘材料 Insulator: Glass filled PPS
- 航空航天, 通信设备、充电设备、以及储能等电源模块的功率传输
- Power transfer in power modules for aerospace, communication equipment, charging equipment, and energy storage.

性能参数 Specification

- 芯数 Pins: 02,04,06,08,10,12
- 阻燃等级 Flame retardant grade: UL94V-0
- 插拔寿命 Mechanical Operations: 500 Operations
- 工作温度 Range temperature: -55°C ~ +125°C
- 接触电阻 Contact Resistance: < 6 mΩ
- 额定电流 Current Rating: 15A Max with 14AWG
- 插入力 Insertion Force: 8N Max
- 拔出力 Withdrawal Force: 0.5N Min
- 工作电压 Working Voltage: 800 V AC/DC
- 耐电压 Proof Voltage: 1200 V AC/DC
- 绝缘电阻 Insulation Resistance: 100MΩ
- 连接类型 Connection Type: 焊接 Solder



DIMENSION	CALCULATION
DIM A	No.OF CONTACTS*4-4
DIM B	No.OF CONTACTS*4+5
DIM C	No.OF CONTACTS*4+10

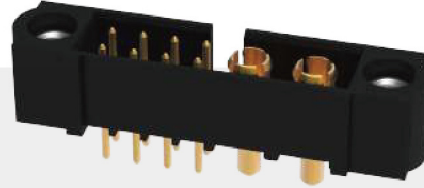


MPMX75 XX 09

02,04,06,08,10,12 | XX

Rectangular Connector-Power&Signal-MALE

- 触点间距 Contact Pitch: 2.00mm/4.00mm
- 电缆导线尺寸 Cable Conductor Size: 24-28AWG +12AWG
- 行数 Number of Rows: 混合 Mixed



- 信号触点 Signal Contact: 铜合金 Copper Alloy
- 电源触点 Power Contact: 铜合金 Copper Alloy
- 螺杆 Jackscrew: 不锈钢 Stainless steel
- 绝缘材料 Insulator: Glass filled PPS
- 电镀 Finish: 镍底镀金 Au&Ni
- 航空航天, 通信设备、充电设备、以及储能等电源模块的功率、信号传输
- Power and signal transmission in power modules for aerospace, communication equipment, charging equipment, and energy storage.

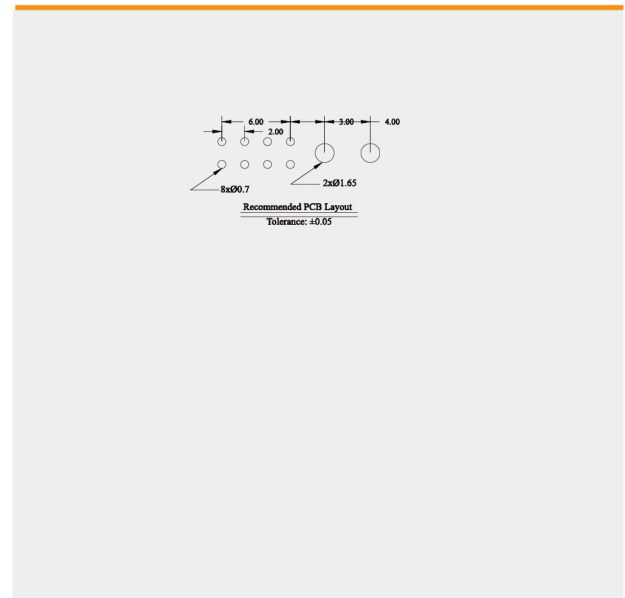
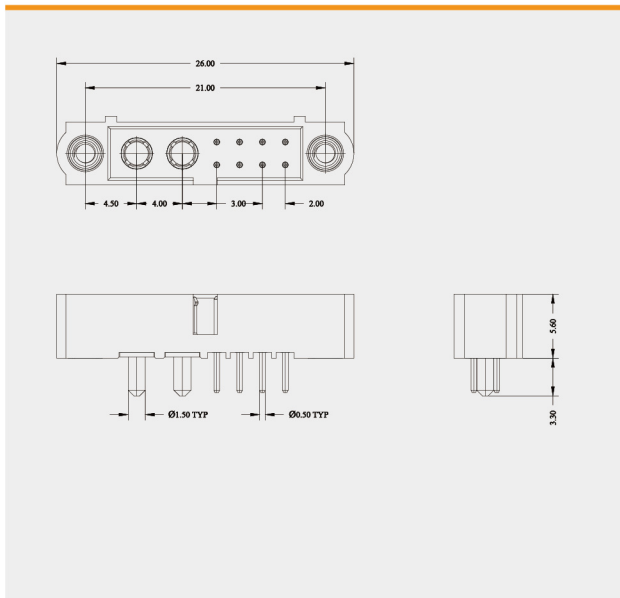
性能参数 Specification

- 芯数 Pins: 8 (signal) + 2 (power)
- 阻燃等级 Flame retardant grade: UL94V-0
- 插拔寿命 Mechanical Operations: 500 Operations
- 工作温度 Range temperature: -55°C ~ +125°C
- 工作电压 Working Voltage: 800 V AC/DC
- 耐电压 Proof Voltage: 1200 V AC/DC
- 绝缘电阻 Insulation Resistance: >100MΩ

	Signal Contact	Power Contact
• 接触电阻 Contact Resistance	< 25 mΩ	< 6 mΩ
• 额定电流 Current Rating	3A Max @25°C, 2.2A Max @85°C	20A Max with 12AWG
• 插入力 Insertion Force	2N Max	8N Max
• 拔出力 Withdrawal Force	0.2N Min	0.5N Min

- 连接类型 Connection Type: 垂直通孔 Vertical Throughboard

安装开口尺寸 Mounting Interface Design

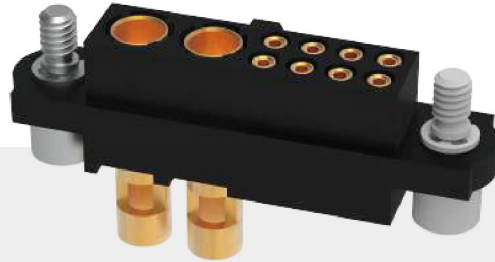


MPGX56 02 07

8 (signal) + 2 (power) 02

Rectangular Connector-Power&Signal-FEMALE

- 触点间距 Contact Pitch: 2.00mm/4.00mm
- 电缆导线尺寸 Cable Conductor Size: 24-28AWG +16AWG
- 行数 Number of Rows: 混合 Mixed



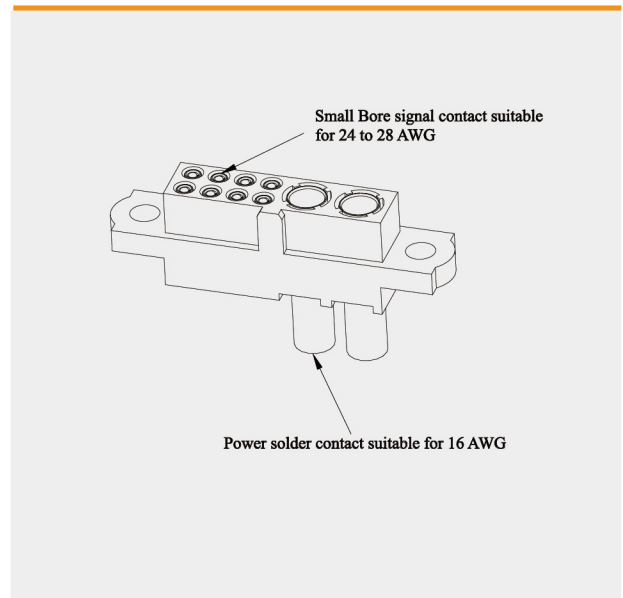
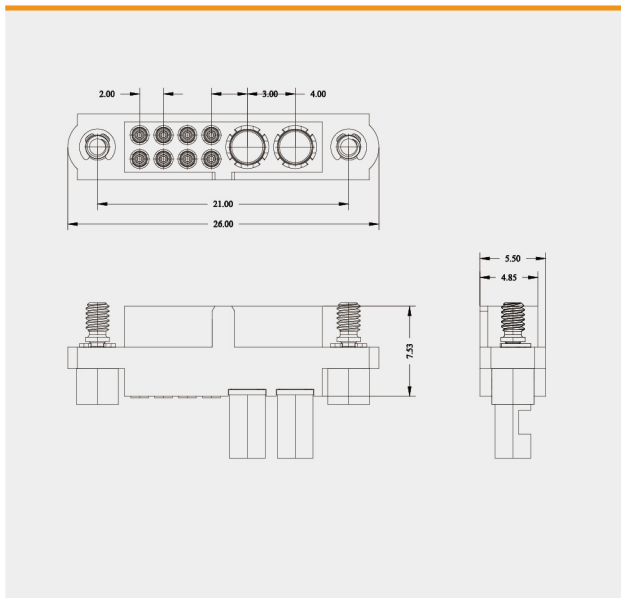
- 信号触点 Signal Contact: 铜合金 Copper Alloy
- 电源触点 Power Contact: 铜合金 Copper Alloy
- 螺杆 Jackscrew: 不锈钢 Stainless steel
- 绝缘材料 Insulator: Glass filled PPS
- 电镀 Finish: 镍底镀金 Au&Ni
- 航空航天, 通信设备、充电设备、以及储能等电源模块的功率、信号传输
- Power and signal transmission in power modules for aerospace, communication equipment, charging equipment, and energy storage.

性能参数 Specification

- 芯数 Pins: 8 (signal) + 2 (power)
- 阻燃等级 Flame retardant grade: UL94V-0
- 插拔寿命 Mechanical Operations: 500 Operations
- 工作温度 Range temperature: -55°C ~ +125°C
- 工作电压 Working Voltage: 120 V AC/DC
- 耐压电压 Proof Voltage: 360 V AC/DC
- 绝缘电阻 Insulation Resistance: >100MΩ

	Signal Contact	Power Contact
• 接触电阻 Contact Resistance	< 25 mΩ	< 6 mΩ
• 额定电流 Current Rating	3A Max @25°C, 2.2A Max @85°C	10A Max with 16AWG
• 插入力 Insertion Force	2N Max	8N Max
• 拔出力 Withdrawal Force	0.2N Min	0.5N Min

• 连接类型 Connection Type: 电缆(焊接+压接) Cable(Solder + Crimp)

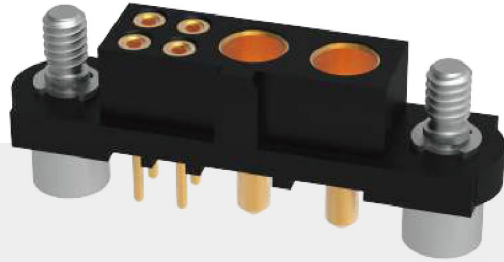


MPMX75 02 07

8 (signal) + 2 (power) 02

Rectangular Connector-Power&Signal-FEMALE

- 触点间距 Contact Pitch: 2.00mm/4.00mm
- 电缆导线尺寸 Cable Conductor Size: 24-28AWG +12AWG
- 行数 Number of Rows: 混合 Mixed



- 信号触点 Signal Contact: 铜合金 Copper Alloy
- 电源触点 Power Contact: 铜合金 Copper Alloy
- 螺杆 Jackscrew: 不锈钢 Stainless steel
- 绝缘材料 Insulator: Glass filled PPS
- 电镀 Finish: 镍底镀金 Au&Ni
- 航空航天, 通信设备、充电设备、以及储能等电源模块的功率、信号传输
- Power and signal transmission in power modules for aerospace, communication equipment, charging equipment, and energy storage.

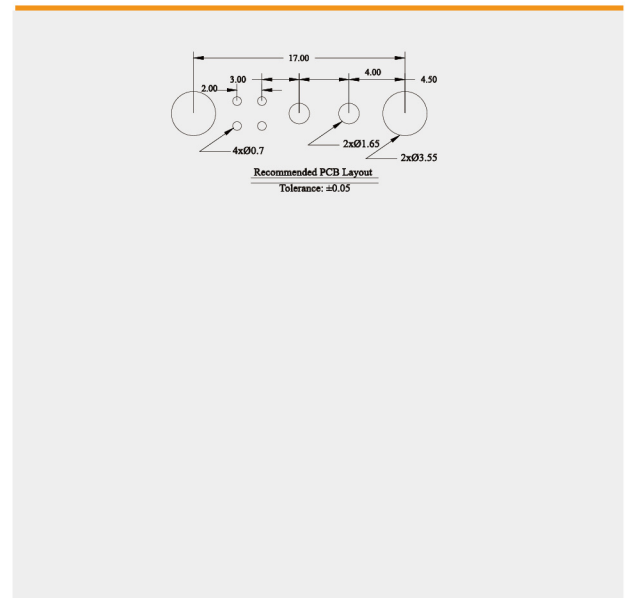
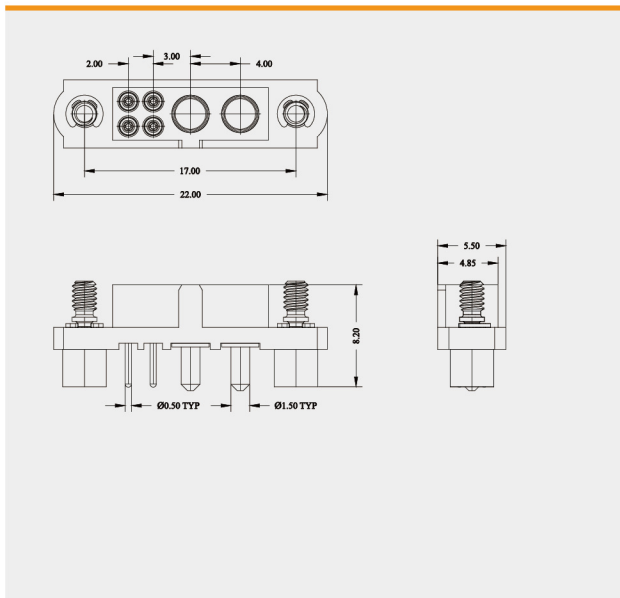
性能参数 Specification

- 芯数 Pins: 4 (signal) + 2 (power)
- 阻燃等级 Flame retardant grade: UL94V-0
- 插拔寿命 Mechanical Operations: 500 Operations
- 工作温度 Range temperature: -55°C ~ +125°C
- 工作电压 Working Voltage: 120 V AC/DC
- 耐电压 Proof Voltage: 360 V AC/DC
- 绝缘电阻 Insulation Resistance: >100MΩ

	Signal Contact	Power Contact
• 接触电阻 Contact Resistance	< 25 mΩ	< 6 mΩ
• 额定电流 Current Rating	3A Max @25°C, 2.2A Max @85°C	20A Max with 12AWG
• 插入力 Insertion Force	2.8N Max	5.0N Max
• 拔出力 Withdrawal Force	0.2N Min	0.5N Min

• 连接类型 Connection Type: 垂直通孔 Vertical Throughboard

安装开口尺寸 Mounting Interface Design

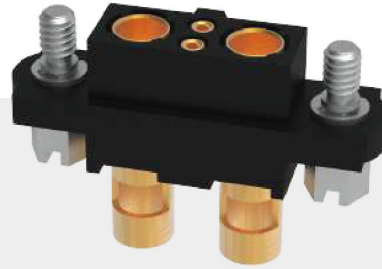


MPMX75 02 08

4 (signal) + 2 (power) 02

Rectangular Connector-Power&Signal-FEMALE

- 触点间距 Contact Pitch: 2.00mm/4.00mm
- 电缆导线尺寸 Cable Conductor Size: 24-28AWG +12AWG
- 行数 Number of Rows: 混合 Mixed



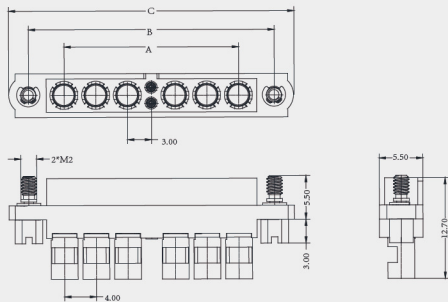
- 信号触点 Signal Contact: 铜合金 Copper Alloy
- 电源触点 Power Contact: 铜合金 Copper Alloy
- 螺杆 Jackscrew: 不锈钢 Stainless steel
- 绝缘材料 Insulator: Glass filled PPS
- 电镀 Finish: 镍底镀金 Au&Ni
- 航空航天, 通信设备、充电设备、以及储能等电源模块的功率、信号传输
- Power and signal transmission in power modules for aerospace, communication equipment, charging equipment, and energy storage.

性能参数 Specification

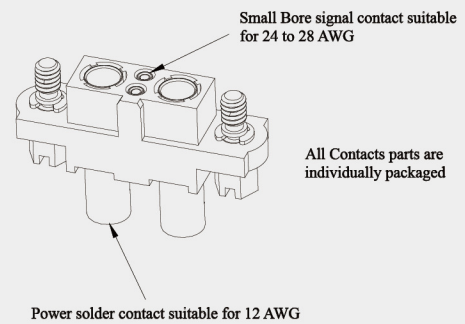
- 芯数 Pins: 根据需求进行灵活性混合搭配 Customized on demand
- 阻燃等级 Flame retardant grade: UL94V-0
- 插拔寿命 Mechanical Operations: 500 Operations
- 工作温度 Range temperature: -55°C ~ +125°C
- 工作电压 Working Voltage: 800 V AC/DC
- 耐压电压 Proof Voltage: 1200 V AC/DC
- 绝缘电阻 Insulation Resistance: >100MΩ

	Signal Contact	Power Contact
• 接触电阻 Contact Resistance	< 25 mΩ	< 6 mΩ
• 额定电流 Current Rating	3A Max @25°C, 2.2A Max @85°C	20A Max with 12AWG
• 插入力 Insertion Force	2N Max	8N Max
• 拔出力 Withdrawal Force	0.2N Min	0.5N Min

• 连接类型 Connection Type: 电缆(焊接+压接) Cable(Solder + Crimp)



DIMENSION	CALCULATION
DIM A	No.OF POWER CONTACTS*4-2
DIM B	No.OF POWER CONTACTS*4+7
DIM C	No.OF POWER CONTACTS*4+12



MPMX75 XX 01

02,04,06,08,10,12

XX



Renhotec.com



Product Catalogue



RENHOTEC GROUP LIMITED

☎ : 86-027-81296316

🌐 : www.renhotec.com ✉ : info@renhotec.com

Headquarters(Wuhan): No.555 Wenhua Avenue, Hongshan District, Wuhan
430074, China

Factory(Dongguan): No.25 Ningjiang Road, Humen Town, Dongguan City
Guangdong Province, China

Factory(jiangmen): Building 5, Wanyang Zhongchuang City, Daze Industrial
Park, Jiangmen City, Guangdong Province, China