



Y50XA-1007ZK14 7 Pin Female Straight PCB-Mount Bayonet Coupling for Front Bulkhead

Part Number:

**Y50XA-1007ZK14**



### Basic Information

Color	Black
Connector Type	Socket
Contact Termination	PCB
Contact Type	Female Pin
Fastening Type	Bayonet
Mounting Type	Panel Mount
Number of Positions	7 Pin
Orientation	Straight
Shell Size	10

### Material Specification

Contact Finish	Gold Plating
Contact Material	Copper Alloy
Insulation Material	Thermosetting Plastics
Shell Finish	Black Anodized
Shell Material	Aluminum Alloy

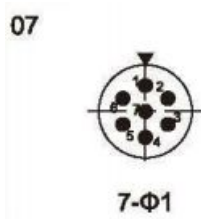
### Environmental Specification

Ingress Protection	IP65
Operating Temperature	-55°C~+125°C

### Electrical Specification

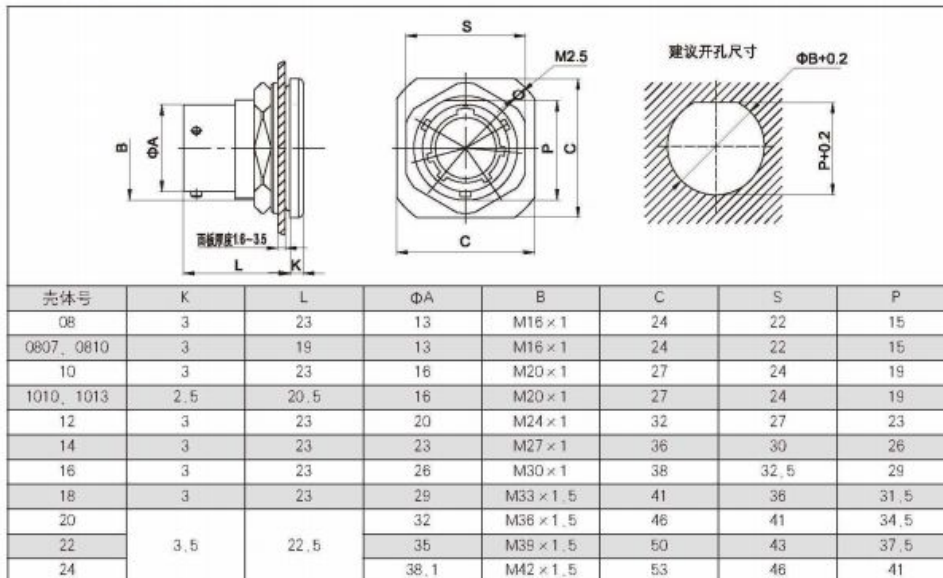
Rated Current	5A
Rated Voltage	500V

### Contact Layout



### Size

【Z14螺帽拼紧式插座】



## How to Order

Part number

	Y50	X	12	-10	T	J	2	III	H	S	L
<b>Basic series</b>											
<b>Type</b>											
X = Solder and hermetic by adhesive P = Solder shielding and hermetic by adhesive A = PCB, solder and hermetic by adhesive C = Hermetic by adhesive without magnetism											
<b>Shell size</b>											
08, 10, 12, 14, 16, 18, 20, 22, 24, 26, 32											
<b>Number of contact</b>											
Z = 61											
<b>Type of connector</b>											
T = Plug Z = Receptacle											
<b>Type of contact</b>											
J = Pin K = Socket SJ = Thru bulkhead Pin SK = Thru bulkhead Socket											
<b>Type of plug and receptacle (See below datasheet I)</b>											
<b>Orientation</b>											
Omit = N N, W, X, Y, Z (See below)											
<b>Finish</b>											
P1 = Electroless nickel plating P2 = Bright nickel plating P3 = Half bright nickel plating H1 = Conductive black L2 = Olive drab cadmium plating H = Black anodized L = Olive drab anodized L1 = Olive drab matte L3 = White anodized											
<b>Material of shell</b>											
S = Cooper-alloy B = Stainless steel passivated Omit = Aluminium-alloy											
<b>Length</b>											

## Disclaimer

The information in this specification is subject to change without notice. Please confirm the latest version before use. Technical parameters are for reference only, and sufficient testing and verification should be conducted in actual applications.