



Y50X-1010ZJ10-B Bayonet Stainless Steel 10 Pin Male Front Mount Square Flange Disc Socket

Part Number:

**Y50X-1010ZJ10-B**

### Basic Information

|                     |             |
|---------------------|-------------|
| Color               | Silver      |
| Connector Type      | Socket      |
| Contact Termination | Solder      |
| Contact Type        | Male Pin    |
| Fastening Type      | Bayonet     |
| Mounting Type       | Panel Mount |
| Number of Positions | 10 Pin      |
| Orientation         | Straight    |
| Shell Size          | 10          |

### Material Specification

|                     |                             |
|---------------------|-----------------------------|
| Contact Finish      | Gold Plating                |
| Contact Material    | Copper Alloy                |
| Insulation Material | Thermosetting Plastics      |
| Shell Finish        | Stainless Steel Passivation |
| Shell Material      | Aluminum Alloy              |

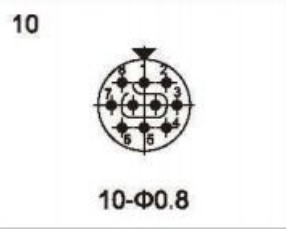
### Environmental Specification

|                       |              |
|-----------------------|--------------|
| Ingress Protection    | IP65         |
| Operating Temperature | -55°C~+125°C |

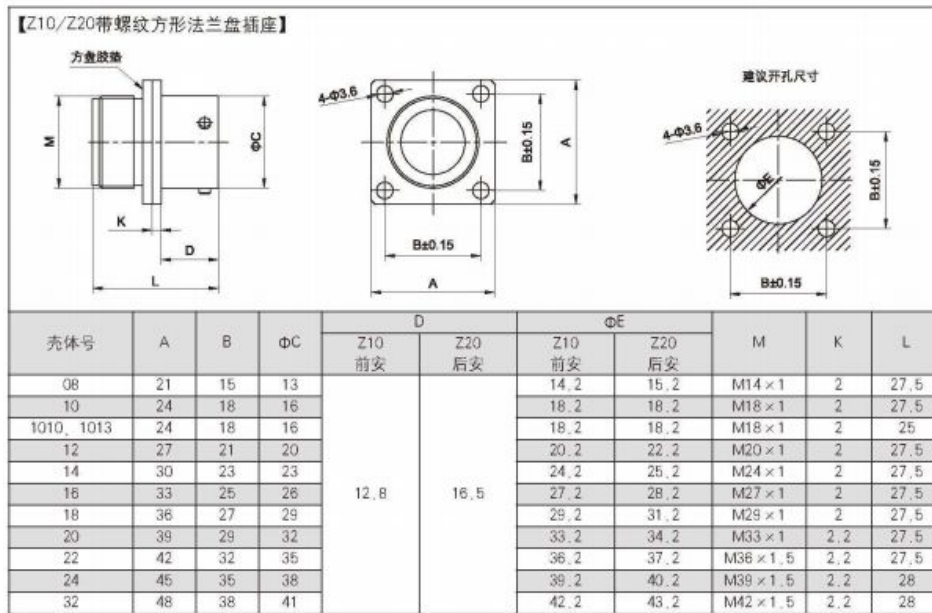
### Electrical Specification

|               |      |
|---------------|------|
| Rated Current | 3A   |
| Rated Voltage | 500V |

Contact Layout



Size



注：0807、0810型号及尺寸见附录1。

## How to Order

### Part number

|   | Y50 | X | 12 | -10 | T | J | 2 | III | H | S | L |
|---|-----|---|----|-----|---|---|---|-----|---|---|---|
| <b>Basic series</b>   |     |   |    |     |   |   |   |     |   |   |   |
| <b>Type</b>   |     |   |    |     |   |   |   |     |   |   |   |
| X = Solder and hermetic by adhesive<br>P = Solder shielding and hermetic by adhesive<br>A = PCB, solder and hermetic by adhesive<br>C = Hermetic by adhesive without magnetism  |     |   |    |     |   |   |   |     |   |   |   |
| <b>Shell size</b>   |     |   |    |     |   |   |   |     |   |   |   |
| 08, 10, 12, 14, 16, 18, 20, 22, 24, 26, 32  |     |   |    |     |   |   |   |     |   |   |   |
| <b>Number of contact</b>  |     |   |    |     |   |   |   |     |   |   |   |
| Z = 61  |     |   |    |     |   |   |   |     |   |   |   |
| <b>Type of connector</b>  |     |   |    |     |   |   |   |     |   |   |   |
| T = Plug<br>Z = Receptacle  |     |   |    |     |   |   |   |     |   |   |   |
| <b>Type of contact</b>  |     |   |    |     |   |   |   |     |   |   |   |
| J = Pin<br>K = Socket<br>SJ = Thru bulkhead Pin<br>SK = Thru bulkhead Socket  |     |   |    |     |   |   |   |     |   |   |   |
| <b>Type of plug and receptacle (See below datasheet I)</b>  |     |   |    |     |   |   |   |     |   |   |   |
| <b>Orientation</b>  |     |   |    |     |   |   |   |     |   |   |   |
| Omit = N<br>N, W, X, Y, Z (See below)   |     |   |    |     |   |   |   |     |   |   |   |
| <b>Finish</b>   |     |   |    |     |   |   |   |     |   |   |   |
| P1 = Electroless nickel plating<br>P2 = Bright nickel plating<br>P3 = Half bright nickel plating<br>H1 = Conductive black<br>L2 = Olive drab cadmium plating<br>H = Black anodized<br>L = Olive drab anodized<br>L1 = Olive drab matte<br>L3 = White anodized |     |   |    |     |   |   |   |     |   |   |   |
| <b>Material of shell</b>  |     |   |    |     |   |   |   |     |   |   |   |
| S = Cooper-alloy<br>B = Stainless steel passivated<br>Omit = Aluminium-alloy  |     |   |    |     |   |   |   |     |   |   |   |
| <b>Length</b>   |     |   |    |     |   |   |   |     |   |   |   |

## Disclaimer

The information in this specification is subject to change without notice. Please confirm the latest version before use. Technical parameters are for reference only, and sufficient testing and verification should be conducted in actual applications.