



Y50EX-1208ZK14 8 Pin Female Rear Mount Socket

Part Number:

**Y50EX-1208ZK14**



### Basic Information

Color	Silver
Connector Type	Socket
Contact Termination	Solder
Contact Type	Female Pin
Fastening Type	Bayonet
Mounting Type	Panel Mount
Number of Positions	8 Pin
Orientation	Straight
Shell Size	12

### Material Specification

Contact Finish	Gold Plating
Contact Material	Copper Alloy
Insulation Material	Thermosetting Plastics
Shell Finish	Nickel Plating
Shell Material	Aluminum Alloy

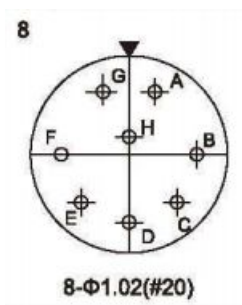
### Environmental Specification

Ingress Protection	IP65
Operating Temperature	-55°C~+125°C

### Electrical Specification

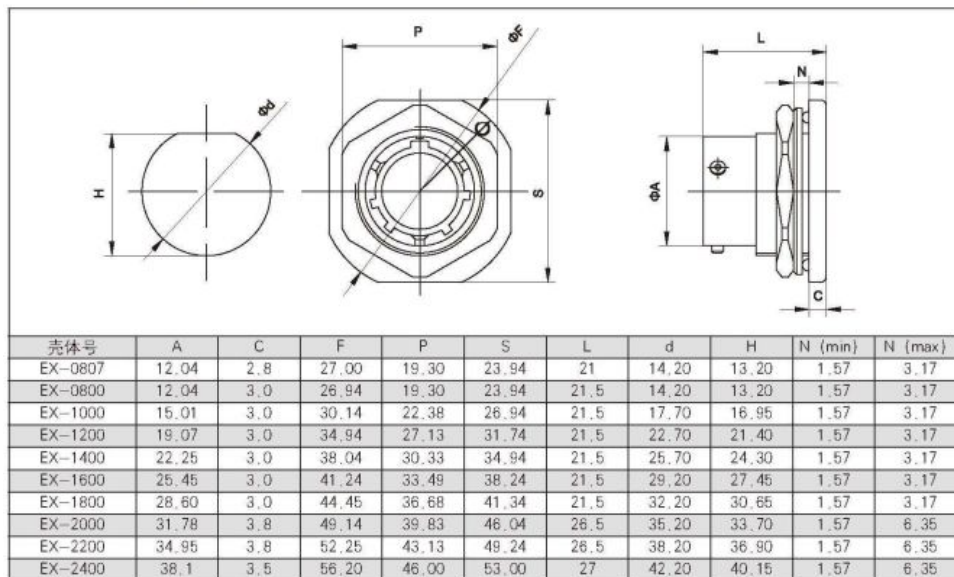
Rated Current	5A
Rated Voltage	500V

### Contact Layout

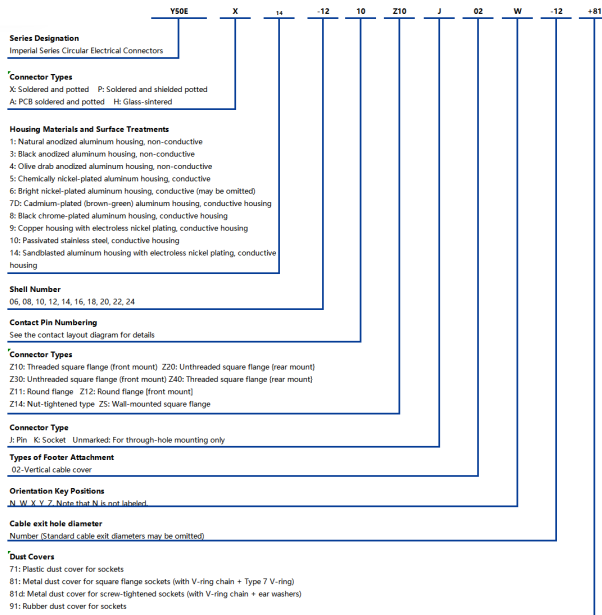


### Size

【Z14螺帽拼紧式插座】



How to Order



Disclaimer

The information in this specification is subject to change without notice. Please confirm the latest version before use. Technical parameters are for reference only, and sufficient testing and verification should be conducted in actual applications.