



Y50EX-0807ZK14 7 Pin Female Straight PCB-Mount Bayonet Coupling for Front Bulkhead with Dust Cover

Part Number:

Y50EX-0807ZK14



Basic Information

Color	Black
Connector Type	Socket
Contact Termination	PCB
Contact Type	Female Pin
Fastening Type	Bayonet
Mounting Type	Panel Mount
Number of Positions	7 Pin
Orientation	Straight
Shell Size	8

Material Specification

Contact Finish	Gold Plating
Contact Material	Copper Alloy
Insulation Material	Thermosetting Plastics
Shell Finish	Black Anodized
Shell Material	Aluminum Alloy

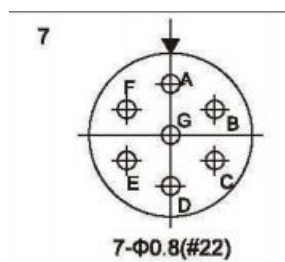
Environmental Specification

Ingress Protection	IP65
Operating Temperature	-55°C~+125°C

Electrical Specification

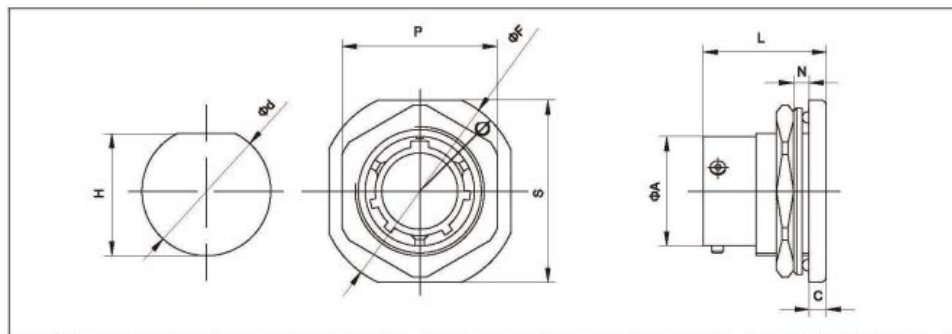
Rated Current	5A
Rated Voltage	500V

Contact Layout

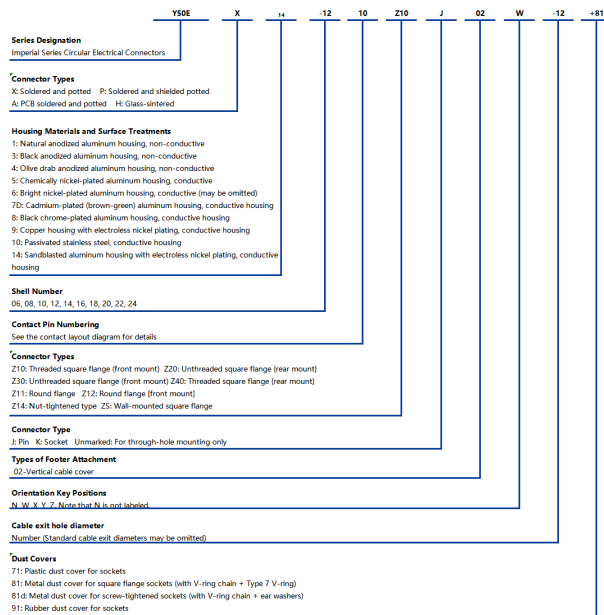


Size

【Z14螺帽拼紧式插座】



壳体号	A	C	F	P	S	L	d	H	N (min)	N (max)
EX-0807	12.04	2.8	27.00	19.30	23.94	21	14.20	13.20	1.57	3.17
EX-0800	12.04	3.0	26.94	19.30	23.94	21.5	14.20	13.20	1.57	3.17
EX-1000	15.01	3.0	30.14	22.38	26.94	21.5	17.70	16.95	1.57	3.17
EX-1200	19.07	3.0	34.94	27.13	31.74	21.5	22.70	21.40	1.57	3.17
EX-1400	22.25	3.0	38.04	30.33	34.94	21.5	25.70	24.30	1.57	3.17
EX-1600	25.45	3.0	41.24	33.49	38.24	21.5	29.20	27.45	1.57	3.17
EX-1800	28.60	3.0	44.45	36.68	41.34	21.5	32.20	30.65	1.57	3.17
EX-2000	31.78	3.8	49.14	39.83	46.04	26.5	35.20	33.70	1.57	6.35
EX-2200	34.95	3.8	52.25	43.13	49.24	26.5	38.20	36.90	1.57	6.35
EX-2400	38.1	3.5	56.20	46.00	53.00	27	42.20	40.15	1.57	6.35

How to Order

Disclaimer

The information in this specification is subject to change without notice. Please confirm the latest version before use. Technical parameters are for reference only, and sufficient testing and verification should be conducted in actual applications.