



Y50DX-1405ZJ10L 5 Pin Male Front Mount Square Flange Disc Socket

Part Number:

Y50DX-1405ZJ10L



Basic Information

| | |
|---------------------|-------------|
| Color | Green |
| Connector Type | Socket |
| Contact Termination | Solder |
| Contact Type | Male Pin |
| Fastening Type | Bayonet |
| Mounting Type | Panel Mount |
| Number of Positions | 5 Pin |
| Orientation | Straight |
| Shell Size | 14 |

Material Specification

| | |
|---------------------|------------------------|
| Contact Finish | Gold Plating |
| Contact Material | Copper Alloy |
| Insulation Material | Thermosetting Plastics |
| Shell Finish | Green Anodized |
| Shell Material | Aluminum Alloy |

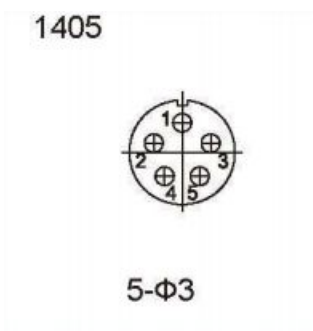
Environmental Specification

| | |
|-----------------------|--------------|
| Ingress Protection | IP65 |
| Operating Temperature | -55°C~+125°C |

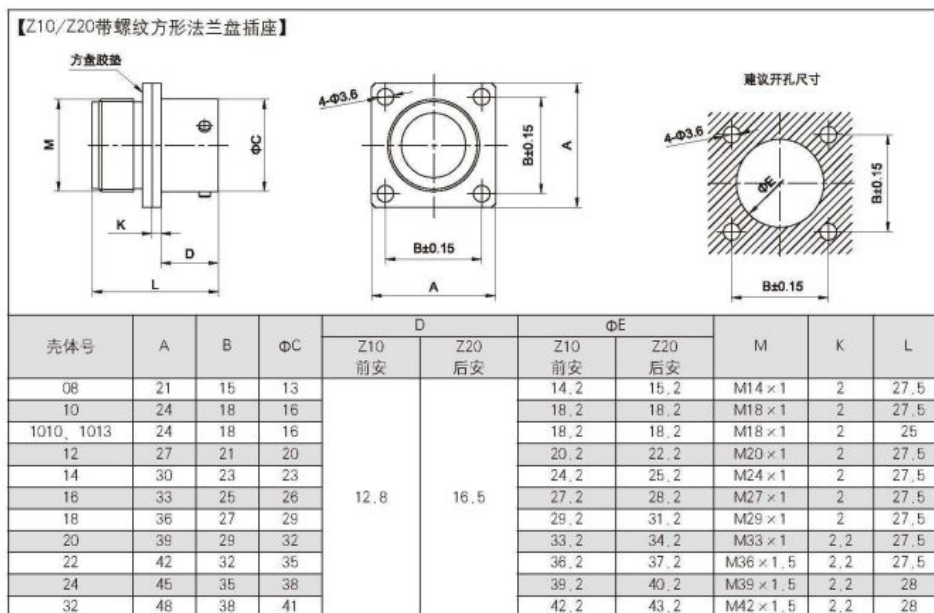
Electrical Specification

| | |
|---------------|------|
| Rated Current | 5A |
| Rated Voltage | 500V |

Contact Layout



Size



How to Order

| | | | | | | | | | | |
|---|---|---|-----|----|-----|---|----|----|----|-----|
| 【 Receptacle No. 】 | | | | | | | | | | |
| Y50D | X | 5 | -12 | 04 | Z10 | J | 02 | II | -7 | +81 |
| ① | ② | ③ | ④ | ⑤ | ⑥ | ⑦ | ⑧ | ⑨ | ⑩ | ⑪ |
| ① Power series circular electrical connectors | | | | | | | | | | |
| ② Electrical contact form | | | | | | | | | | |
| X: Solder glue seal P: Solder shielding glue seal | | | | | | | | | | |
| A: Printed board solder seal H: Sintered glass | | | | | | | | | | |
| ③ Shell material and surface finishing | | | | | | | | | | |
| 1: Aluminum housing natural color oxidation, non-conductive shell | | | | | | | | | | |
| 3: Aluminum housing black positive anodized, non-conductive shell | | | | | | | | | | |
| 4: Aluminum housing military green anodized, non-conductive shell | | | | | | | | | | |
| 5: Aluminum housing chemically nickel plated, conductive shell | | | | | | | | | | |
| 6: Aluminum shell plating bright nickel, conductive shell (can not be marked) | | | | | | | | | | |
| 7D: Aluminum housing cadmium-plated (brown-green), conductive housing | | | | | | | | | | |
| 8: Aluminum housing plated with black chrome, conductive shell | | | | | | | | | | |
| 9: Copper housing chemically nickel plated, conductive shell | | | | | | | | | | |
| 10: Stainless steel passivation, conductive shell | | | | | | | | | | |
| 14: Aluminum housing sandblasted with chemical nickel plating, conductive shell | | | | | | | | | | |
| ④ Shell Size | | | | | | | | | | |
| 08, 10, 12, 14, 16, 18, 20, 22, 24, 28, 32, 36 | | | | | | | | | | |
| ⑤ Contact arrangement | | | | | | | | | | |
| ⑥ Connector Type | | | | | | | | | | |
| Z10: Threaded square flange(front mount) | | | | | | | | | | |
| Z20: Threaded square flange(back mount) | | | | | | | | | | |
| Z30: Square flange without thread(front mount) | | | | | | | | | | |
| Z40: Square flange without thread(back mount) | | | | | | | | | | |
| Z11: Circular flange | | | | | | | | | | |
| Z14: Screw cap assembly | | | | | | | | | | |
| Z5: Bulkhead square flange | | | | | | | | | | |
| ⑦ Type of contact | | | | | | | | | | |
| J: Pin K: Jack | | | | | | | | | | |
| ⑧ Tail attachment | | | | | | | | | | |
| 02: Straight type cable cover | | | | | | | | | | |
| ⑨ Position key | | | | | | | | | | |
| I, II, III, IV, V (III is not labeled) | | | | | | | | | | |
| ⑩ Diameter of outlet | | | | | | | | | | |
| -Number(Regular outlet diameter may not be marked) | | | | | | | | | | |
| ⑪ Dust cap | | | | | | | | | | |
| 71: Plastic dust cap for socket | | | | | | | | | | |
| 81: Metal dust cap for square flange socket | | | | | | | | | | |
| 81d: Metal dust cover for Screw cap assembly | | | | | | | | | | |
| 91: Rubber dust cover for socket | | | | | | | | | | |
| 92: Rubber dust cap with ears for screw cap tightening type socket | | | | | | | | | | |

Disclaimer

The information in this specification is subject to change without notice. Please confirm the latest version before use. Technical parameters are for reference only, and sufficient testing and verification should be conducted in actual applications.