



Y50DX-1204ZJ10L 4 Pin Male Front Mount Square Flange Disc Socket

Part Number:

Y50DX-1204ZJ10L



Basic Information

Color	Green
Connector Type	Socket
Contact Termination	Solder
Contact Type	Male Pin
Fastening Type	Bayonet
Mounting Type	Panel Mount
Number of Positions	4 Pin
Orientation	Straight
Shell Size	14

Material Specification

Contact Finish	Gold Plating
Contact Material	Copper Alloy
Insulation Material	Thermosetting Plastics
Shell Finish	Green Anodized
Shell Material	Aluminum Alloy

Environmental Specification

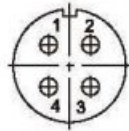
Ingress Protection	IP65
Operating Temperature	-55°C~+125°C

Electrical Specification

Rated Current	5A
Rated Voltage	500V

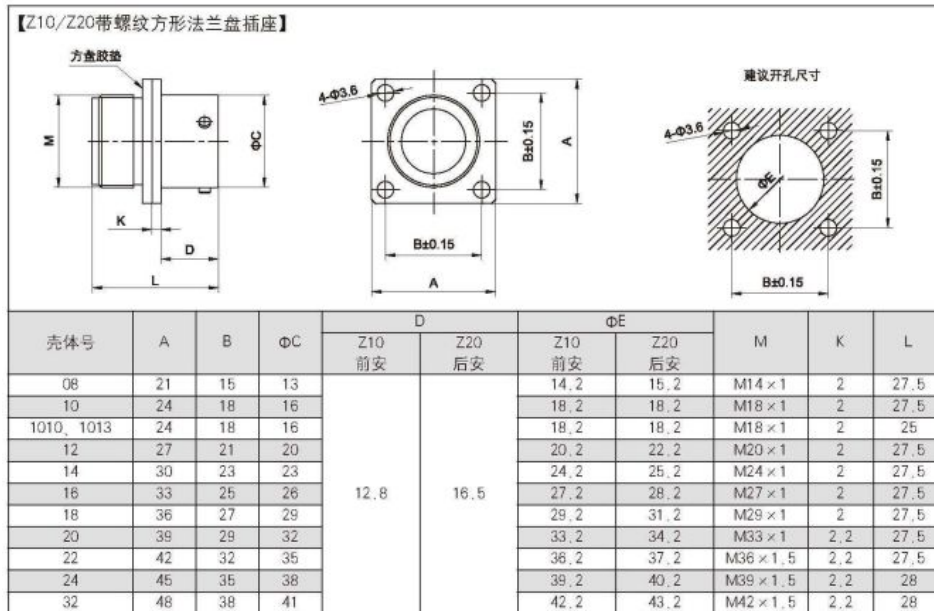
Contact Layout

1204



4-Φ2.5

Size



How to Order

【 Receptacle No. 】

Y50D	X	5	-12	04	Z10	J	02	II	-7	+81
①	②	③	④	⑤	⑥	⑦	⑧	⑨	⑩	⑪

① **Power series circular electrical connectors**

② **Electrical contact form**
 X: Solder glue seal P: Solder shielding glue seal
 A: Printed board solder seal H: Sintered glass

③ **Shell material and surface finishing**
 1: Aluminum housing natural color oxidation, non-conductive shell
 3: Aluminum housing black positive anodized, non-conductive shell
 4: Aluminum housing military green anodized, non-conductive shell
 5: Aluminum housing chemically nickel plated, conductive shell
 6: Aluminum shell plating bright nickel, conductive shell (can not be marked)
 7D: Aluminum housing cadmium-plated (brown-green), conductive housing
 8: Aluminum housing plated with black chrome, conductive shell
 9: Copper housing chemically nickel plated, conductive shell
 10: Stainless steel passivation, conductive shell
 14: Aluminum housing sandblasted with chemical nickel plating, conductive shell

④ **Shell Size**
 08, 10, 12, 14, 16, 18, 20, 22, 24, 28, 32, 36

⑤ **Contact arrangement**

⑥ **Connector Type**
 Z10: Threaded square flange(front mount)
 Z20: Threaded square flange(back mount)
 Z30: Square flange without thread(front mount)
 Z40: Square flange without thread(back mount)
 Z11: Circular flange
 Z14: Screw cap assembly
 Z5: Bulkhead square flange

⑦ **Type of contact**
 J: Pin K: Jack

⑧ **Tail attachment**
 02: Straight type cable cover

⑨ **Position key**
 I, II, III, IV, V (III is not labeled)

⑩ **Diameter of outlet**
 -Number(Regular outlet diameter may not be marked)

⑪ **Dust cap**
 71: Plastic dust cap for socket
 81: Metal dust cap for square flange socket
 81d: Metal dust cover for Screw cap assembly
 91: Rubber dust cover for socket
 92: Rubber dust cap with ears for screw cap tightening type socket

Disclaimer

The information in this specification is subject to change without notice. Please confirm the latest version before use. Technical parameters are for reference only, and sufficient testing and verification should be conducted in actual applications.