



Y50DX 1 Pin Female Plug Straight Bayonet Coupling  
Solder Aluminum Alloy

Part Number:

**Y50DX-0801TK2**



### Basic Information

Color	Silver
Connector Type	Plug
Contact Termination	Solder
Contact Type	Female Pin
Fastening Type	Bayonet
Mounting Type	Cable Mount
Number of Positions	1 Pin
Orientation	Straight
Shell Size	8

### Material Specification

Contact Finish	Gold Plating
Contact Material	Copper Alloy
Insulation Material	Thermosetting Plastics
Shell Finish	Nickel Plating
Shell Material	Aluminum Alloy

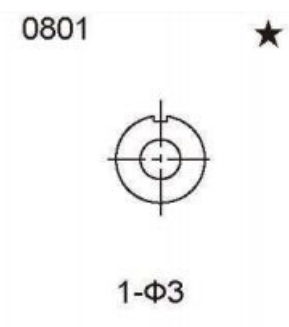
### Environmental Specification

Ingress Protection	IP65
Operating Temperature	-55°C~+125°C

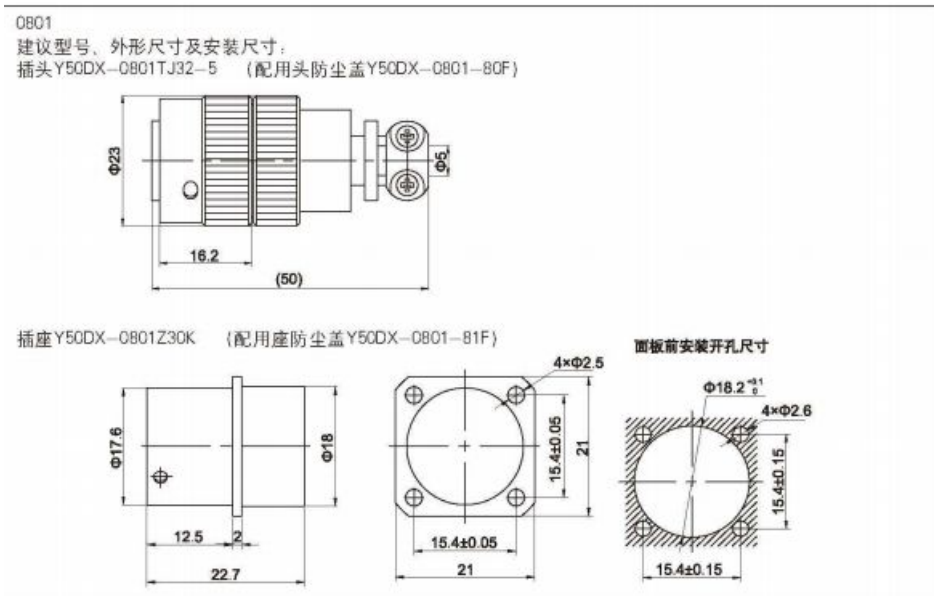
### Electrical Specification

Rated Current	5A
Rated Voltage	500V

### Contact Layout



### Size



## How to Order

**Order NO. Description:**
**[ Plug No. ]**

Y50D X 5 -12 04 I J 02 II -Z +80  
 ① ② ③ ④ ⑤ ⑥ ⑦ ⑧ ⑨ ⑩ ⑪

**① Power series circular electrical connectors**
**② Electrical contact form**

X: Solder glue seal P: Solder shielding glue seal

**③ Shell material and surface finishing**

- 1: Aluminum housing natural color oxidation, non-conductive shell
- 3: Aluminum housing black positive anodized, non-conductive shell
- 4: Aluminum housing military green anodized, non-conductive shell
- 5: Aluminum housing chemically nickel plated, conductive shell
- 6: Aluminum shell plating bright nickel, conductive shell (can not be marked)
- 7D: Aluminum housing cadmium-plated (brown-green), conductive housing
- 8: Aluminum housing plated with black chrome, conductive shell
- 9: Copper housing chemically nickel plated, conductive shell
- 10: Stainless steel passivation, conductive shell
- 14: Aluminum housing sandblasted with chemical nickel plating, conductive shell

**④ Shell Size**

08, 10, 12, 14, 16, 18, 20, 22, 24, 28, 32, 36

**⑤ Contact arrangement**
**⑥ Connector Type**

T: Plug

**⑦ Type of contact**

J: Pin K: Jack

**⑧ Tail attachment**

- |  |                              |
|--|------------------------------|
| 01-Grounded compression type tailcap                           | 02-Straight type cable cover |
| 22-Extended straight cable cover                               | 32-R-type cable cover        |
| 03-Simple-sealed cable cover                                   | 21-Anti-wave tail cover      |
| 55-Elbow shielded tail cover                                   | 07-Waterproof tail cover     |
| 06-Straight shielded and sealed spring guarded wire tail cover |                              |
| 51-Shielded double clamped tail cover                          |                              |

**⑨ Position key**

I, II, III, IV, V (III is not labeled)

**⑩ Diameter of outlet**

-Number (Regular outlet diameter may not be marked)

**⑪ Dust cap**

- 70: Plastic dust cover for plug 80: Metal dust cover for plug  
 90: Rubber dust cover for plug

## Disclaimer

The information in this specification is subject to change without notice. Please confirm the latest version before use. Technical parameters are for reference only, and sufficient testing and verification should be conducted in actual applications.