
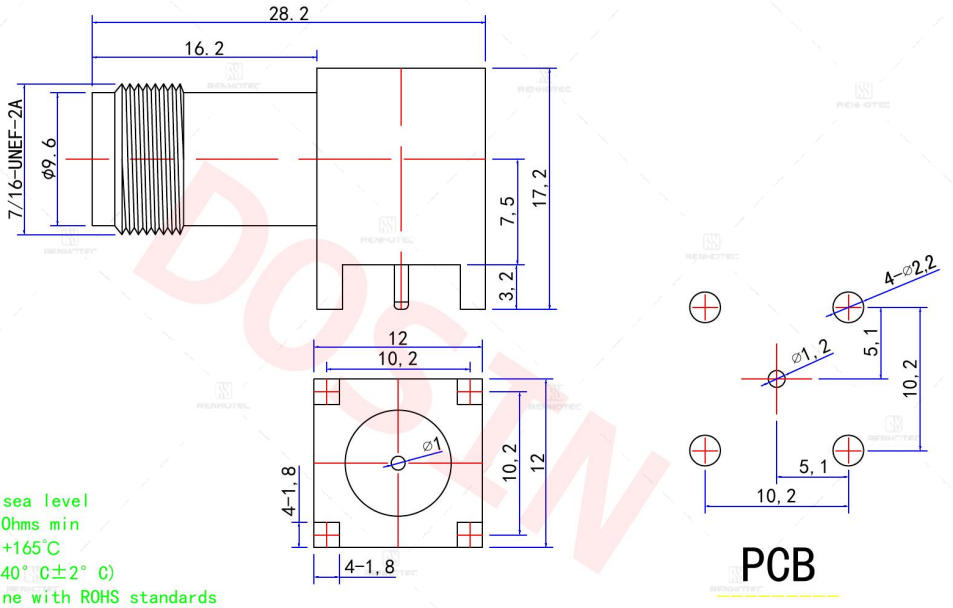
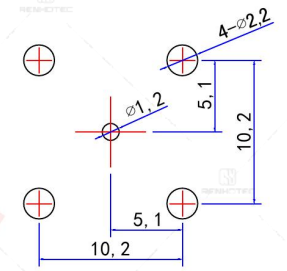
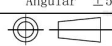
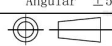
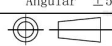


TNC Connector Solder Panel Mount 50ohm - RHT-615-0419



Drawing

				Product No. DOSIN-802-0058																																																			
				REV	DESCRIPTION	DWN	DATE	APPROVEN																																															
				A	First issue	Mr. CHEN	2017/09/10	John kine																																															
				 <p style="text-align: center;">PCB</p>																																																			
				<p>Specifications</p> <p>Impedance: 50 Ohms Frequency Range: DC~3G VSWR: 1.5MAX Working Voltage: 500V rms @ sea level Insulation Resistance: 5000 Ohms min Temperature Range: -65°C TO +165°C Relative Temperature: ≤95% (40°C ± 2°C) Drawings products are in line with ROHS standards</p>																																																			
<table border="1" style="width:100%; border-collapse: collapse;"> <tr> <td style="width: 10%;">E</td> <td style="width: 10%;"></td> <td style="width: 10%;"></td> <td style="width: 10%;"></td> <td style="width: 10%;"></td> <td style="width: 10%;"></td> <td style="width: 10%;"></td> <td style="width: 10%;"></td> <td style="width: 10%;"></td> <td style="width: 10%;"></td> </tr> <tr> <td>D</td> <td>INSULATOR</td> <td>TEFLON</td> <td>NONE</td> <td>1</td> <td rowspan="2">DRAWN Zelin. CHEN</td> <td rowspan="2">Tolerance</td> <td>X.</td> <td>±0.15</td> <td rowspan="4">  </td> </tr> <tr> <td>C</td> <td>CONTACT PLATING</td> <td>BRASS</td> <td>GOLD</td> <td>1</td> <td>CHECKED</td> <td>View</td> <td>X. X</td> <td>±0.10</td> </tr> <tr> <td>B</td> <td>BODY</td> <td>BRASS</td> <td>NICKEL</td> <td>1</td> <td rowspan="2">APPROVALS John</td> <td>UNIT</td> <td>X. XX</td> <td>±0.05</td> </tr> <tr> <td>A</td> <td>DESCRIPTION</td> <td>MATERIAL</td> <td>FINISHED</td> <td>QTY</td> <td>SCALE</td> <td>Angular</td> <td>±5°</td> </tr> </table>				E										D	INSULATOR	TEFLON	NONE	1	DRAWN Zelin. CHEN	Tolerance	X.	±0.15		C	CONTACT PLATING	BRASS	GOLD	1	CHECKED	View	X. X	±0.10	B	BODY	BRASS	NICKEL	1	APPROVALS John	UNIT	X. XX	±0.05	A	DESCRIPTION	MATERIAL	FINISHED	QTY	SCALE	Angular	±5°	<p>NOTE:</p>		<p>DOSIN Dosing Industrial (HK) Co Ltd 东莞市德索五金电子制品有限公司 Dosin Hardware Electronics Co., Ltd</p> <p>Name: TNC JACK FOR PCB</p>		<p>SIZE Product NO. DOSIN-802-0058 REV A</p> <p>Date Time 2017/12/06 CAD FILE H/company drawings/BD SHEET: 1 OF 1</p>	
E																																																							
D	INSULATOR	TEFLON	NONE	1	DRAWN Zelin. CHEN	Tolerance	X.	±0.15																																															
C	CONTACT PLATING	BRASS	GOLD	1			CHECKED	View		X. X	±0.10																																												
B	BODY	BRASS	NICKEL	1	APPROVALS John	UNIT	X. XX	±0.05																																															
A	DESCRIPTION	MATERIAL	FINISHED	QTY		SCALE	Angular	±5°																																															

Basic Information

Fastening Type	Threaded
Connector Type	Jack
Mounting Feature	Through Hole
Mounting Type	Panel Mount
Number of Ports	1
Orientation	Right Angle
RF Series	TNC Type

Mechanical Specification

Contact Termination Style	Solder
Mating Durability	≥ 500 Cycles

Environmental Specification

Temperature Range	-65°C to +165°C
-------------------	-----------------

Material Specification

Shield Termination	Solder
--------------------	--------

Material and Finish

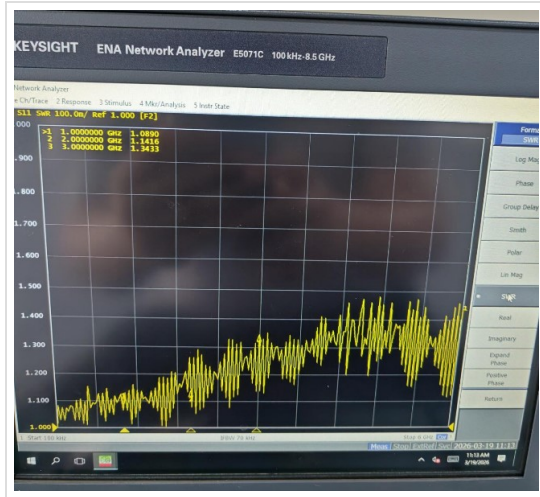
Component Description	Material	Finish
Shell	Copper Alloy	Nickel Plated
Insulator	Teflon White	
Center Contact	Brass	Gold Plated

Impedance Testing

Impedance	50 ohm
-----------	--------

Frequency & VSWR Test Report

Frequency Range	0~6GHz
VSWR	1.5 MAX



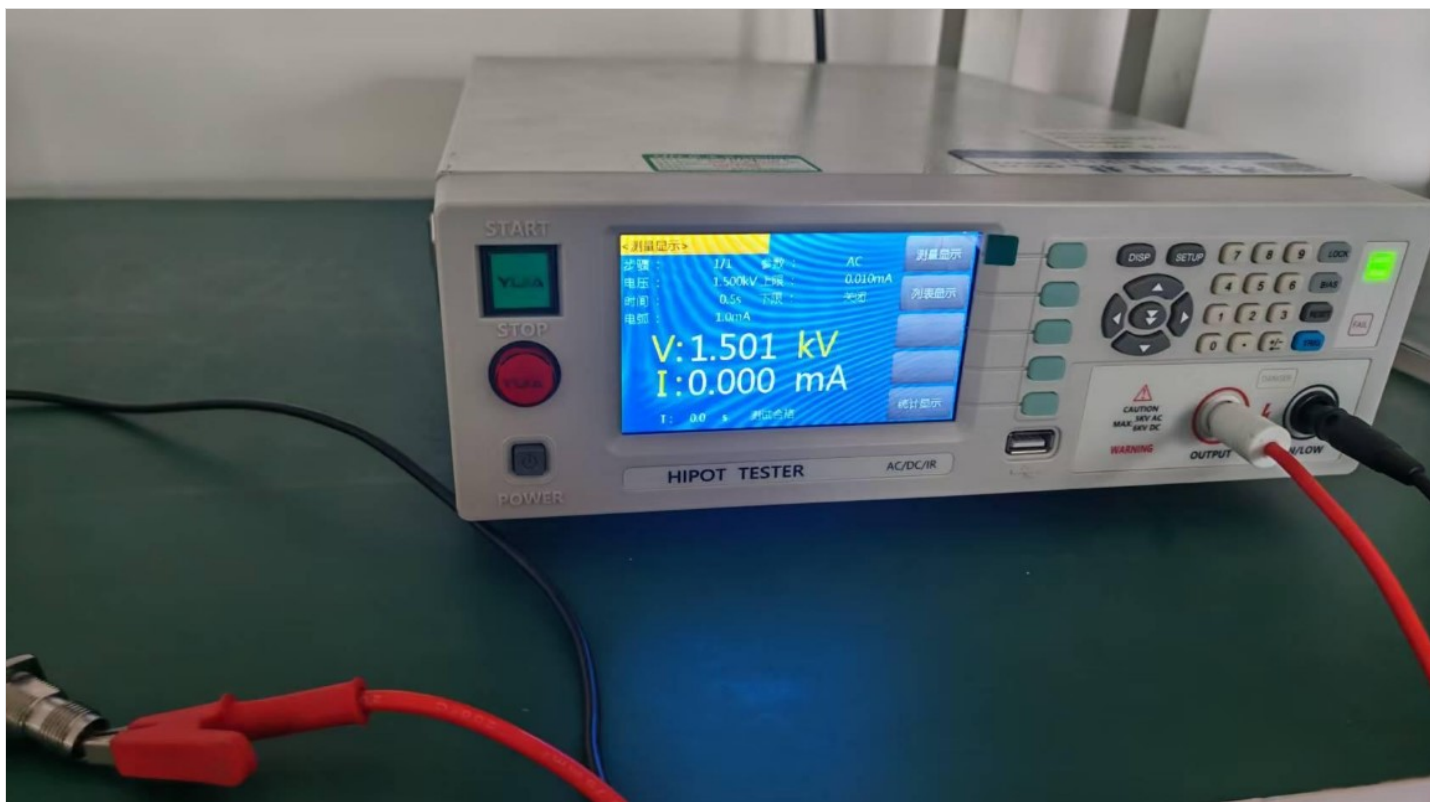
Contact Resistance Test

Contact Type	Female Pin
Center Contact Resistance	1.5 MΩ Max
Outer Contact Resistance	0.2 MΩ Max



Working Voltage & Insulation Resistance Test

Working Voltage	500 V rms
Insulation Resistance	500MΩ Min



Version History

REV	Date	Revise Contents	Drafter	Approver
A.0	2026.4.16	The initial formulation	Esther	Joson

Disclaimer

The information in this specification is subject to change without notice. Please confirm the latest version before use. Technical parameters are for reference only, and sufficient testing and verification should be conducted in actual applications.