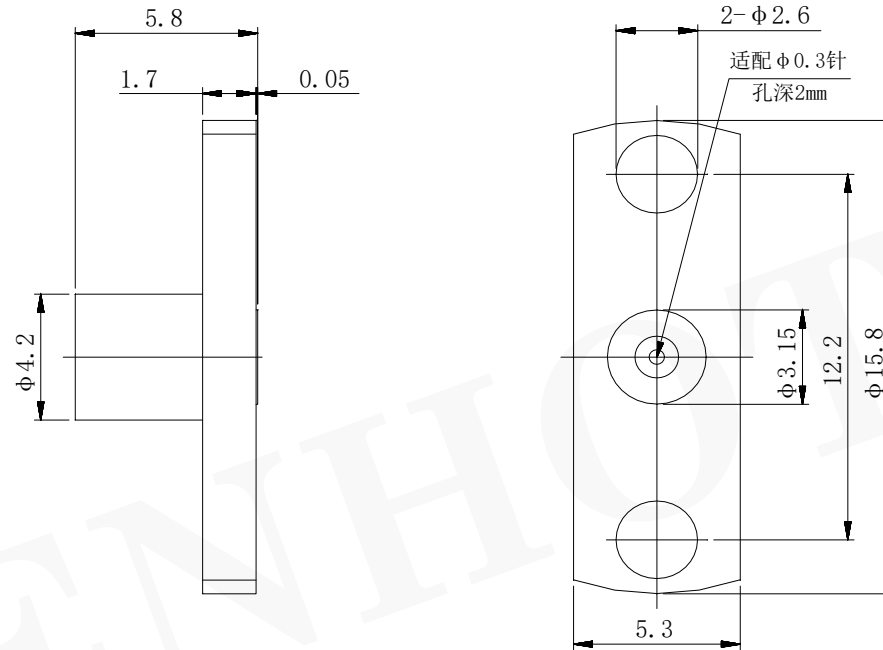




REV	DESCRIPTION	DWN	DATE	APPROVEN
R1.0	First issue	Gavin	2025/09/13	JIM.KING



Specifications:
 Impedance: 50 Ω
 Frequency Range: DC-40 GHz
 VSWR: 1.25:1 (max)
 Insertion Loss: $\leq 0.05 * \sqrt{F(\text{GHz})}$ dB
 Dielectric withstand voltage: 500 V
 Insulation Resistance: $\geq 5000 \Omega$
 Service life: ≥ 500
 Operation Temperature: $-55^{\circ}\text{C} \sim 165^{\circ}\text{C}$
 Connector type SMP-Male (Full Detent)

Material
 Inner conductor material: Beryllium bronze, Gold plating
 External conductor material: Stainless steel, Passivation
 Insulator: PEI

-TOLERANCES- UNLESS OTHERWISE SPECIFIED			RENHOTEC GROUP			
	PART DESCRIPTION: SMP MALE(Full Detent) 2-HOLE FLANGE CONNECTOR					
UNLESS OTHERWISE SPECIFIED TOLERANCES FOR MILLIMETERS ARE: 0.5 - 8mm $\pm 0.20\text{mm}$ 8 - 30mm $\pm 0.35\text{mm}$ 30 - 120mm $\pm 0.30\text{mm}$	Appd: JIM.KING	P/N: RHT-628-2043				
	Check:	Date	Scale	Unit	Type	
	Draw: Gavin	2025.09.13	Free	MM	Z	
					Page	
					1/1	