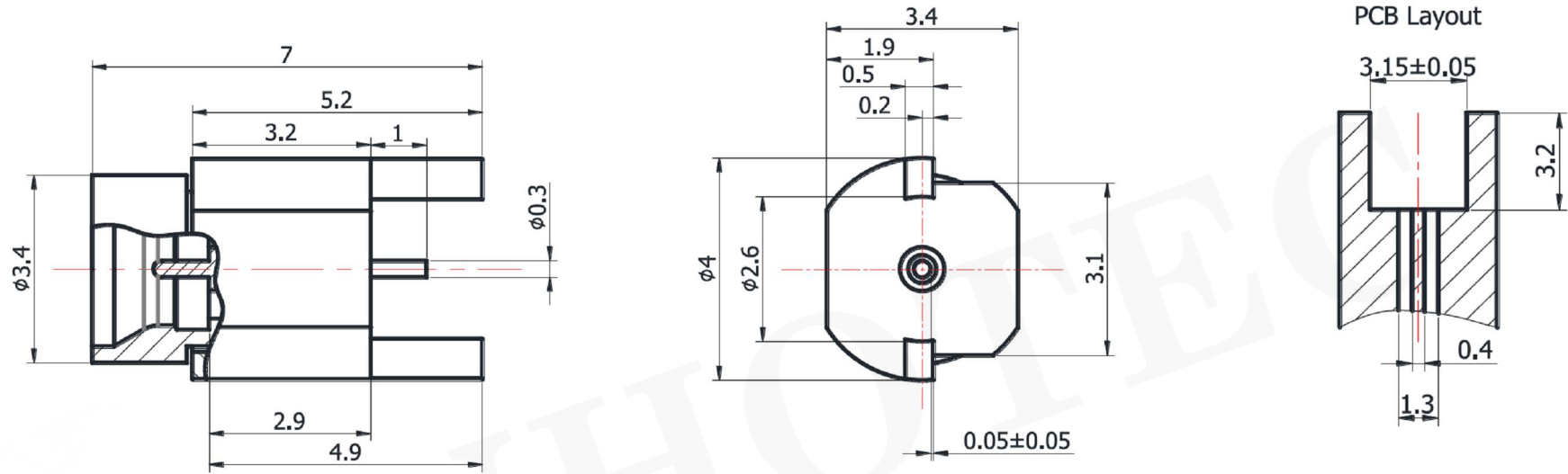



REV	DESCRIPTION	DWN	DATE	APPROVEN
R1.0	First issue	Gavin	2024/05/27	JIM. KING



Electrical parameters
 Impedance: 50Ω
 Frequency Range: DC-40GHz
 Insertion Loss (dB): $\leq 0.1 \times \text{Sqrt.}(f_Ghz)$
 Test voltage :500 V rms
 Working voltage:335 V rms
 Dielectric Withstand Voltage:1000V
 Insulation Resistance: $\geq 5000 M\Omega$
 Service Llife: ≥ 500
 Operation Temperature: $-55^\circ\text{C} \sim +165^\circ\text{C}$

Material:
 Centre Contact:CuBe, Gold plating
 Outer Contact:Brass, Gold plating
 Body:Brass, Gold plating
 Insulator: PTFE

-TOLERANCES- UNLESS OTHERWISE SPECIFIED	 RENHOTEC GROUP											
	PART DESCRIPTION: SSMP MALE FOR PCB CONNECTOR											
UNLESS OTHERWISE SPECIFIED TOLERANCES FOR MILLIMETERS ARE: 0.5 - 8mm $\pm 0.15\text{mm}$ 8 - 30mm $\pm 0.20\text{mm}$ 30 -120mm $\pm 0.30\text{mm}$	Appd: JIM. KING	P/N: RHT-628-2037										
	Check:	<table border="1"> <tr> <td>Date</td> <td>Scale</td> <td>Unit</td> <td>Type</td> <td>Page</td> </tr> <tr> <td>2024.05.27</td> <td>Free</td> <td>MM</td> <td>Z</td> <td>1/1</td> </tr> </table>	Date	Scale	Unit	Type	Page	2024.05.27	Free	MM	Z	1/1
	Date	Scale	Unit	Type	Page							
2024.05.27	Free	MM	Z	1/1								
Draw: Gavin	<table border="1"> <tr> <td>Date</td> <td>Scale</td> <td>Unit</td> <td>Type</td> <td>Page</td> </tr> <tr> <td>2024.05.27</td> <td>Free</td> <td>MM</td> <td>Z</td> <td>1/1</td> </tr> </table>	Date	Scale	Unit	Type	Page	2024.05.27	Free	MM	Z	1/1	
Date	Scale	Unit	Type	Page								
2024.05.27	Free	MM	Z	1/1								