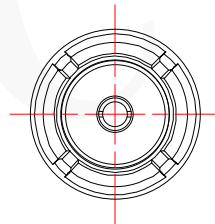
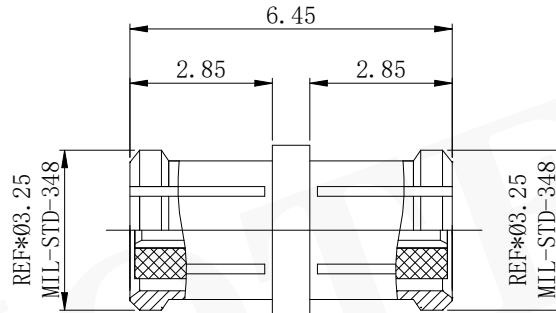
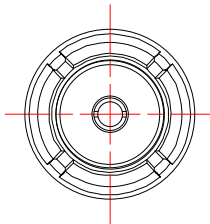


REV	DESCRIPTION	DWN	DATE	APPROVEN
R1.0	First issue	Gavin	2024/05/27	JIM. KING



Electrical parameters  
 Impedance: 50 Ω  
 Frequency Range: DC-26.5GHz  
 VSWR: 1.25 Max.  
 Test voltage 500 V rms  
 Working voltage 335 V rms  
 Contact Current 1.2A DC max  
 Dielectric Withstand Voltage: 1000V  
 Insulation Resistance: ≥5000 MΩ  
 Service Life: ≥500  
 Operation Temperature: -55°C~+165°C

Material:  
 Inner Conductor Material: CuBe, gold plating  
 External Conductor: CuBe, gold plating  
 Insulator: PTFE

-TOLERANCES- UNLESS OTHERWISE SPECIFIED	 <b>RENHOTEC GROUP</b>	
	 PART DESCRIPTION: SMP FEMALE TO SMP FEMALE CONNECTOR	
UNLESS OTHERWISE SPECIFIED TOLERANCES FOR MILLIMETERS ARE: 0.5 - 8mm ± 0.15mm 8 - 30mm ± 0.20mm 30 - 120mm ± 0.30mm	Appd: JIM. KING	P/N: RHT-628-2035
	Check:	Date: 2024.05.27
	Draw: Gavin	Scale: Free
		Unit: MM
		Type: Z
		Page: 1/1