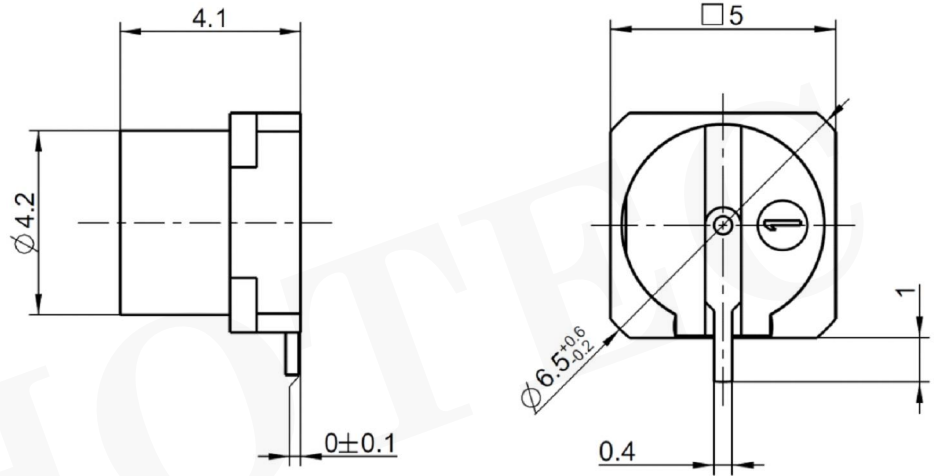
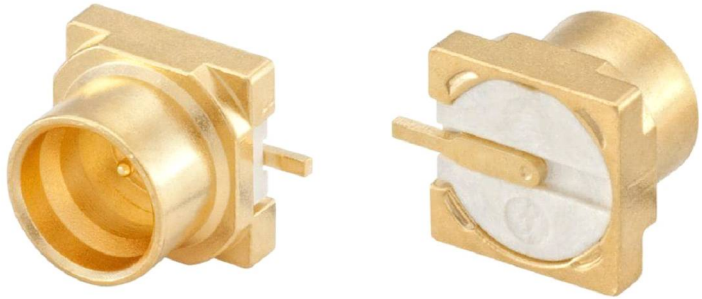


REV	DESCRIPTION	DWN	DATE	APPROVEN
R1.0	First issue	Gavin	2024/04/18	JIM. KING



Electrical parameters
 Impedance: 50 Ω
 Frequency Range: DC-26.5GHz
 VSWR: 1.25 Max.
 Test voltage 500 V rms
 Working voltage 335 V rms
 Contact Current 1.2A DC max
 Dielectric Withstand Voltage: 1000V
 Insulation Resistance: ≥5000 MΩ
 Service Life: ≥500
 Operation Temperature: -55°C~+165°C

Material:
 Inner Conductor Material: Brass, gold plating
 External Conductor: Brass gold plating
 Insulator: LCP

-TOLERANCES- UNLESS OTHERWISE SPECIFIED	 RENHOTEC GROUP	
	PART DESCRIPTION: SMP MALE FOR PCB CONNECTOR	
UNLESS OTHERWISE SPECIFIED TOLERANCES FOR MILLIMETERS ARE: 0.5 - 8mm ± 0.15mm 8 - 30mm ± 0.20mm 30 - 120mm ± 0.30mm	Appd: JIM. KING	P/N: RHT-628-2034
	Check:	Date: 2024.04.18
	Draw: Gavin	Scale: Free
		Unit: MM
		Type: Z
		Page: 1/1