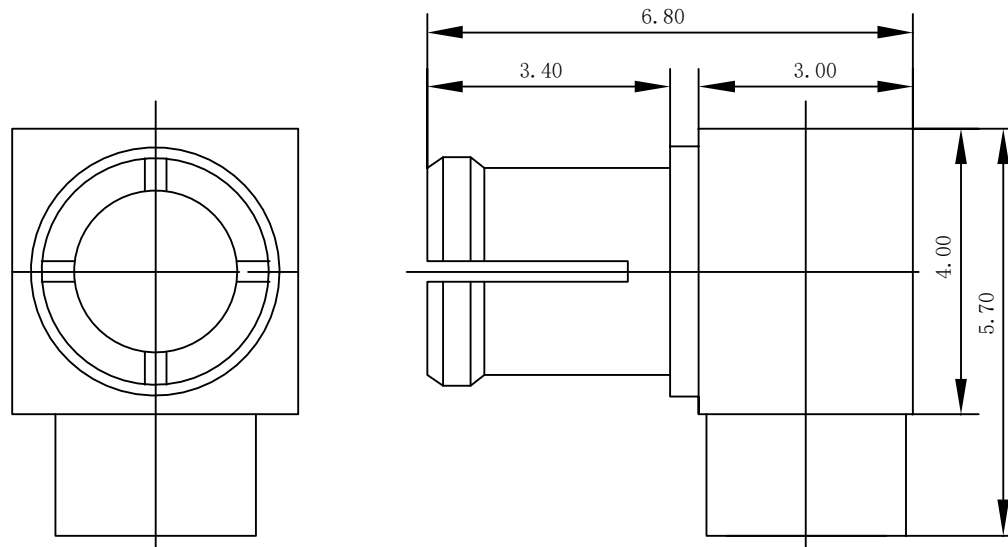




REV	DESCRIPTION	DRAWING	DATE
R1.0	First issue	Li	2025.10.28



Project	Indicators
ProductName	RFConnector
FrequencyRange	DC-18GHz
VSWR	1.3(max)
Impedance	50 Ω
InsertionLoss	≤0.05*√F(GHz) dB
Dielectricwithstandvoltage	335V
ServiceLife	≥500
InsulationResistance	≥5000MΩ
Connectortype	SMP-Female
OperationTemperature	-40℃~+85℃
Innerconductormaterial	Berylliumbronze Goldplating
Externalconductormaterial	Berylliumbronze Goldplating
Insulator	PTFE
Matchingcable	086Series

-TOLERANCES- UNLESS OTHERWISE SPECIFIED	RENHOTEC GROUP	
	PART DESCRIPTION: SMP R/A FEMALE CONNECTOR FOR O85 CABLE	
UNLESS OTHERWISE SPECIFIED TOLERANCES FOR MILLIMETERS ARE: 0.5 - 8mm ± 0.20mm 8 - 30mm ± 0.25mm 30 -120mm ± 0.30mm	Appr:	P/N: RHT-628-2031
	Check: Jason	Date: 2025.10.28
	Draw: Li	Scale: 1:1
		Unit: MM
		Rev: R1.0
		Page: 1/1