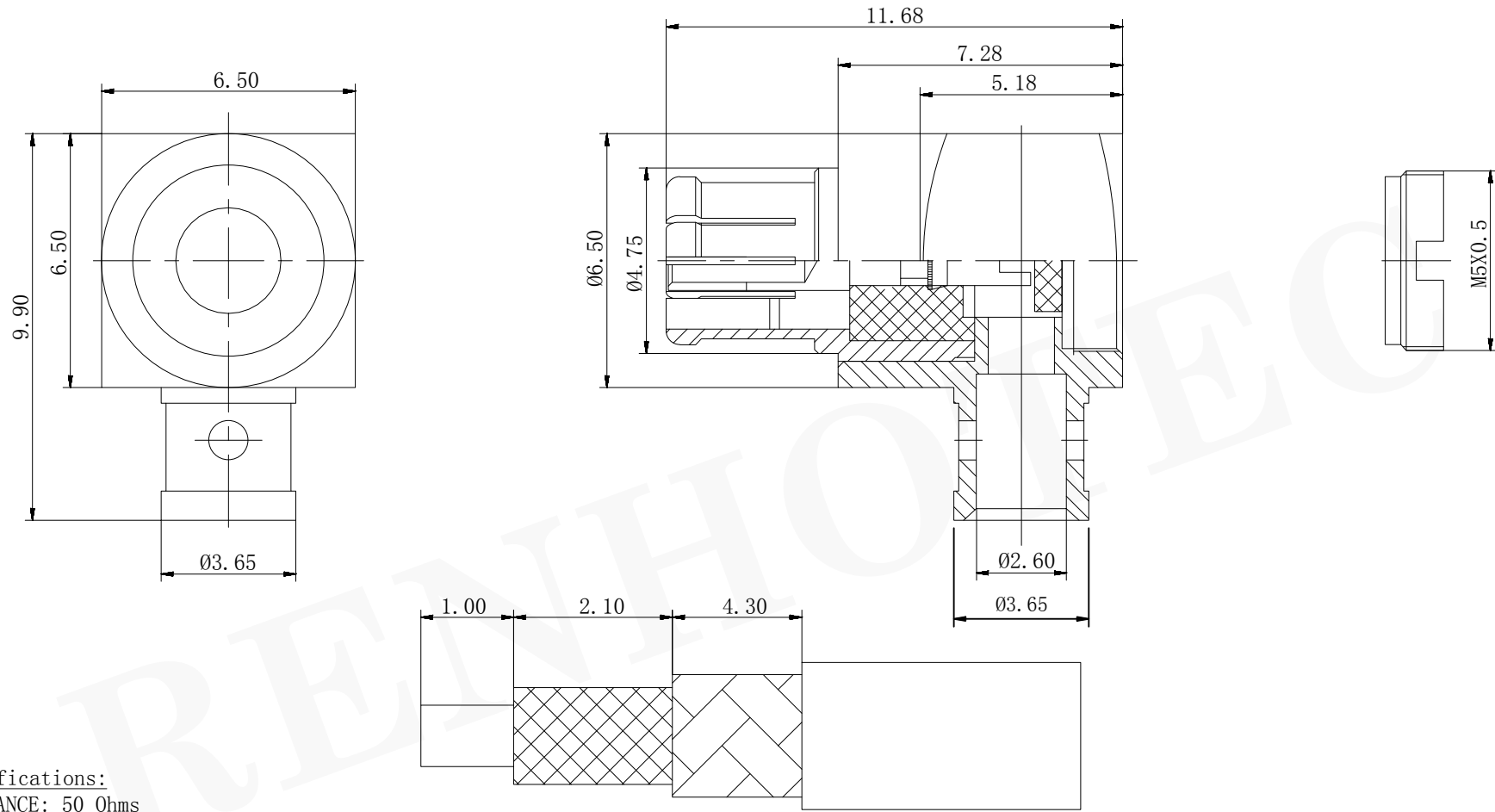




REV	DESCRIPTION	DWN	DATE	APPROVEN
R1.0	First issue	Gavin	2025/09/11	JIM.KING



**Specifications:**  
 IMPEDANCE: 50 Ohms  
 Frequency range:DC~2.4GHZ  
 VSWR: ≤1.25  
 Working voltage:1000V rms @ sea level  
 Insulation resistance:5000 MOhms min  
 Temperature range:-55°C TO +165°C

Cable Dimensions

4				
3	INNER CONDUCTOR	BECU	SILVERING	1
2	INSULATOR	PTFE		1
1	OUTER CONDUCTOR	BRASS	SILVERING	1
NO	DESCRIPTION	MATERIAL	FINISH	QTY

-TOLERANCES- UNLESS OTHERWISE SPECIFIED  UNLESS OTHERWISE SPECIFIED TOLERANCES FOR MILLIMETERS ARE: 0.5 - 8mm ± 0.20mm 8 - 30mm ± 0.25mm 30 -120mm ± 0.30mm	<b>RENHOTEC GROUP</b>	
	PART DESCRIPTION: PSMP R/A FEMALE TO RG316D CABLE	
Appd: JIM.KING	P/N: RHT-628-2030	
Check:	Date: 2025.09.11	Scale: Free Unit: MM Type: Z Page: 1/1
Draw: Gavin	Date: 2025.09.11	Scale: Free Unit: MM Type: Z Page: 1/1