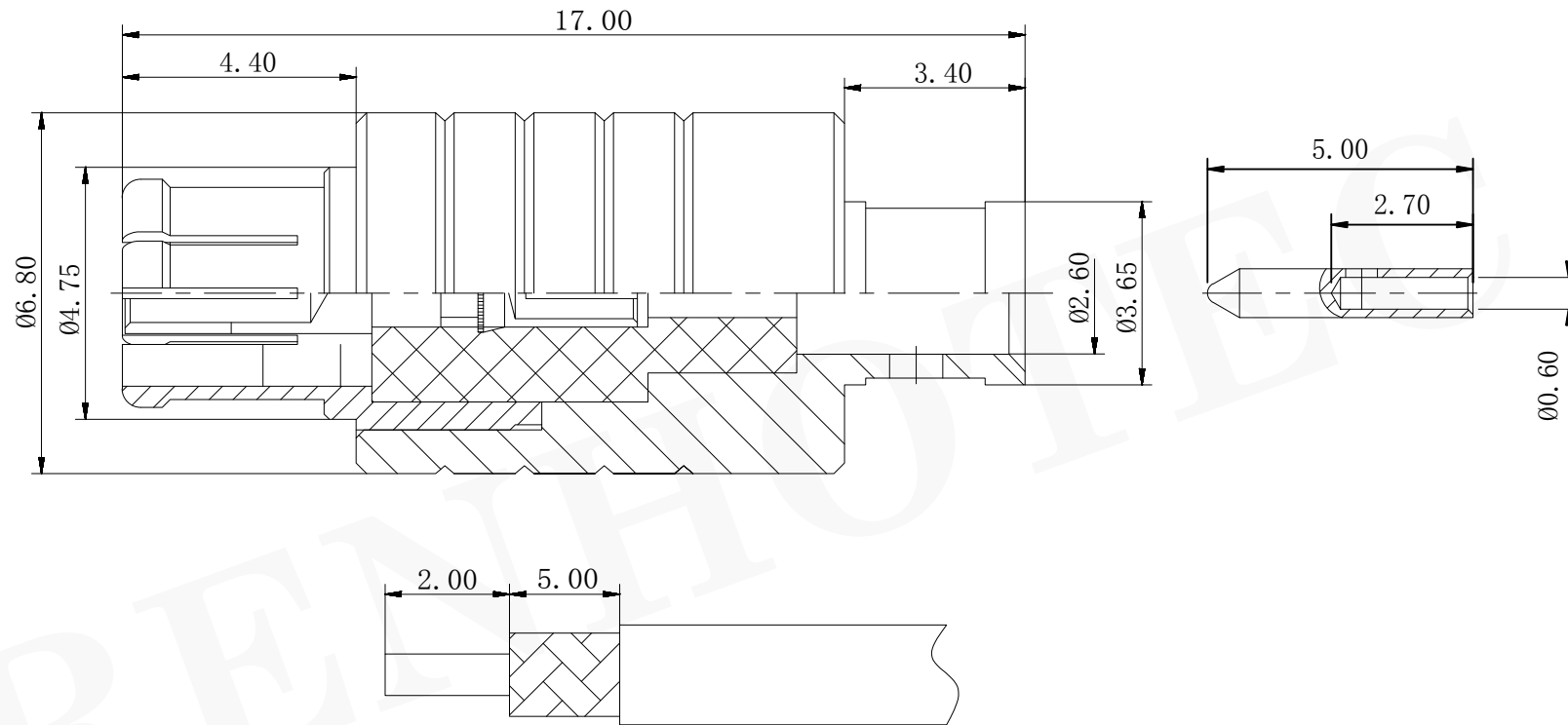




REV	DESCRIPTION	DWN	DATE	APPROVEN
R1.0	First issue	Gavin	2025/09/11	JIM.KING



Cable Dimensions

Specifications:

IMPEDANCE: 50 Ohms
 Frequency range:DC~2.4GHZ
 VSWR: ≤1.25
 Working voltage:1000V rms @ sea level
 Insulation resistance:5000 MOhms min
 Temperature range:-55°C TO +165°C

-TOLERANCES- UNLESS OTHERWISE SPECIFIED	RENHOTEC GROUP	
	PART DESCRIPTION: PSMP FEMALE TO RG316D CABLE	
UNLESS OTHERWISE SPECIFIED TOLERANCES FOR MILLIMETERS ARE: 0.5 - 8mm ± 0.20mm 8 - 30mm ± 0.25mm 30 -120mm ± 0.30mm	Appd: JIM.KING	P/N: RHT-628-2029
	Check:	Date: 2025.09.11
	Draw: Gavin	Scale: Free Unit: MM Type: Z Page: 1/1

NO	DESCRIPTION	MATERIAL	FINISH	QTY
4				
3	CONTACT PIN	BECU	SILVERING	1
2	INSULATOR	PTFE		1
1	OUTER CONDUCTOR	BRASS	SILVERING	1