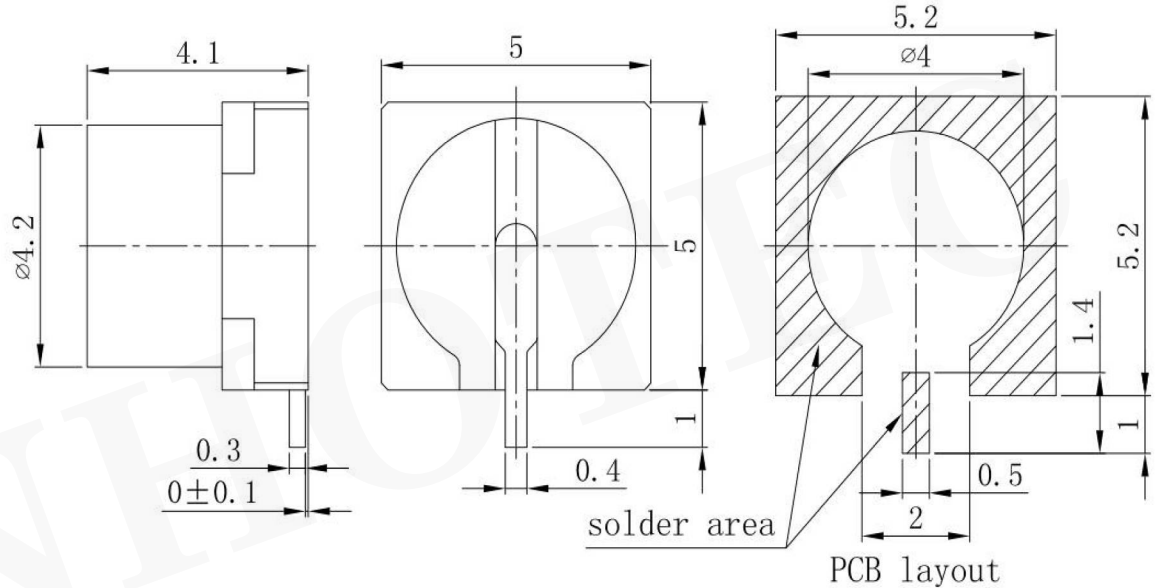


REV	DESCRIPTION	DWN	DATE	APPROVEN
R1.0	First issue	Gavin	2024/01/06	JIM. KING



NOTES:

1. ELECTRICAL:


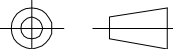
- 1.1 IMPEDANCE: 50 Ω
- 1.2 INSULATION RESISTANCE: ≥5000MΩ
- 1.3 FREQUENCY RANGE: DC-26.5 GHz
- 1.4 DIELECTRIC WITHSTANDING VOLTAGE:500V MAX AT SEA LEVEL
- 1.5 VSWR: ≤1.25:1@26.5GHz

2. ENVIRONMENTAL:

- 2.1 TEMPERATURE RANGE: -55°C to +155°C
- 2.2 DURABILITY: ≥500 CYCLES

3. MATERIAL AND FINISH:

- 3.1 INNER CONDUCTOR MATERIAL:BERYLLIUM BRONZE GOLD PLATING
- 3.2 INSULATOR: LCP/PEEK
- 3.3 EXTERNAL CONDUCTOR MATERIAL:BRASS GOLD PLATING

-TOLERANCES- UNLESS OTHERWISE SPECIFIED	 RENHOTEC GROUP	
	 PART DESCRIPTION: SMP PLUG FOR PCB CONNECTOR	
UNLESS OTHERWISE SPECIFIED TOLERANCES FOR MILLIMETERS ARE: 0.5 - 8mm ± 0.15mm 8 - 30mm ± 0.20mm 30 - 120mm ± 0.30mm	Appd: JIM. KING	P/N: RHT-628-2028
	Check:	Date: 2024.01.06
	Draw: Gavin	Scale: Free
		Unit: MM
		Type: Z
		Page: 1/1