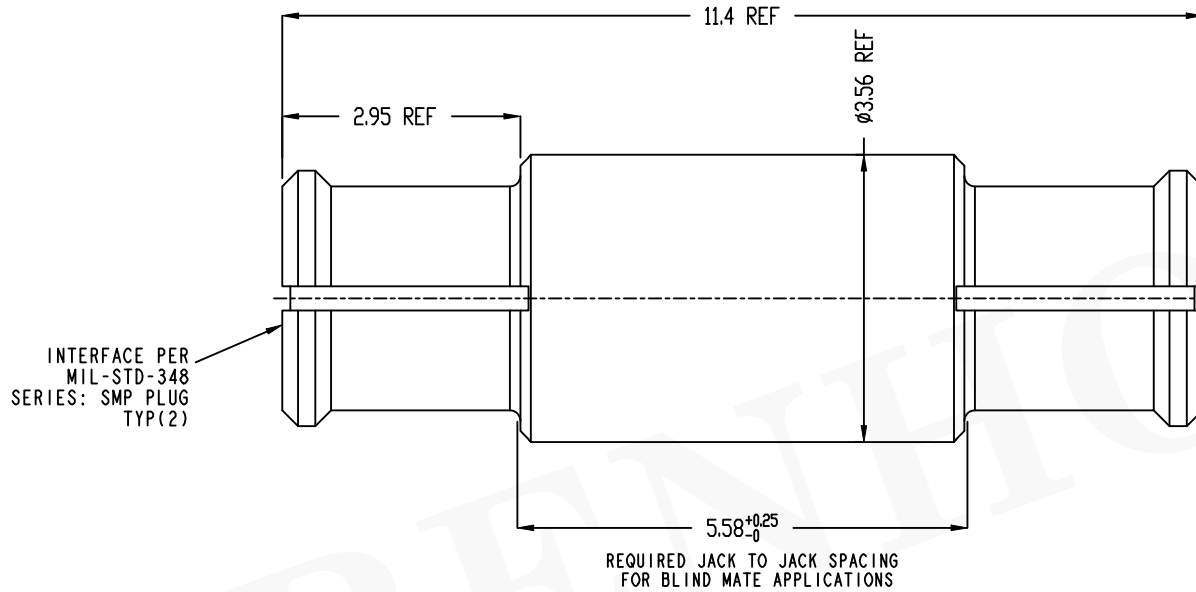
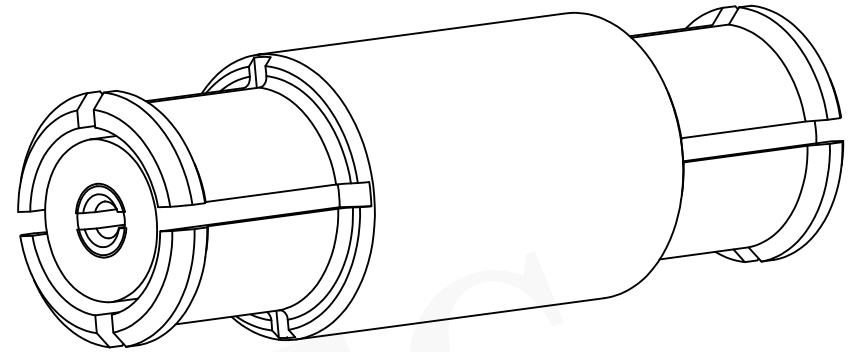




| REV | DESCRIPTION | DRAWING | DATE |
|------|-------------|---------|-----------|
| R1.0 | First issue | FSH | 2025.7.29 |



INTERFACE PER MIL-STD-348 SERIES: SMP PLUG TYP(2)

NOTES:

- MATERIALS AND FINISHES:
 BODY & CONTACT - BeCu, GOLD PLATING
 INSULATORS - PTFE, NATURAL
- ELECTRICAL:
 A. IMPEDANCE: 50 OHM
 B. FREQUENCY RANGE: DC - 40 GHz
 C. VSWR (RETURN LOSS) : 1.07 MAX. (-30 dB MIN) @ DC - 4 GHz
 1.22 MAX. (-20 dB MIN) @ 4 - 18 GHz
 1.43 MAX. (-15 dB MIN) @ 18 - 26.5 GHz
 1.50 MAX. (-14 dB MIN) @ 26.5 - 40 GHz
 D. DIELECTRIC WITHSTANDING VOLTAGE: 500 VRMS, MIN.
- MECHANICAL:
 A. DURABILITY: 100 CYCLES MIN. WHEN MATED FULL DETENT JACK
 500 CYCLES MIN. WHEN MATED LIMITED DETENT JACK
 1000 CYCLES MIN. WHEN MATED A SMOOTH BORE JACK
 B. TEMPERATURE RANGE: -65°C TO +165°C

*Part number coding

| | |
|---------------|--------------|
| Customer P/N: | P/N: |
| SMP-FS2A-114 | RHT-628-2024 |

| | | | | | | |
|---|--|-------------------|-----------|-------|------|------|
| -TOLERANCES- UNLESS OTHERWISE SPECIFIED | | | | | | |
| | PART DESCRIPTION: SMP STR BULLET ASSEMBLY, 11.40 MM | | | | | |
| UNLESS OTHERWISE SPECIFIED TOLERANCES FOR MILLIMETERS ARE: 0.5 - 8mm ± 0.20mm 8 - 30mm ± 0.25mm 30 - 120mm ± 0.30mm | Appr: | P/N: RHT-628-2024 | | | | |
| | Check: | Jason | Date | Scale | Unit | Rev |
| | Draw: | FSH | 2025.7.29 | 1:1 | MM | R1.0 |