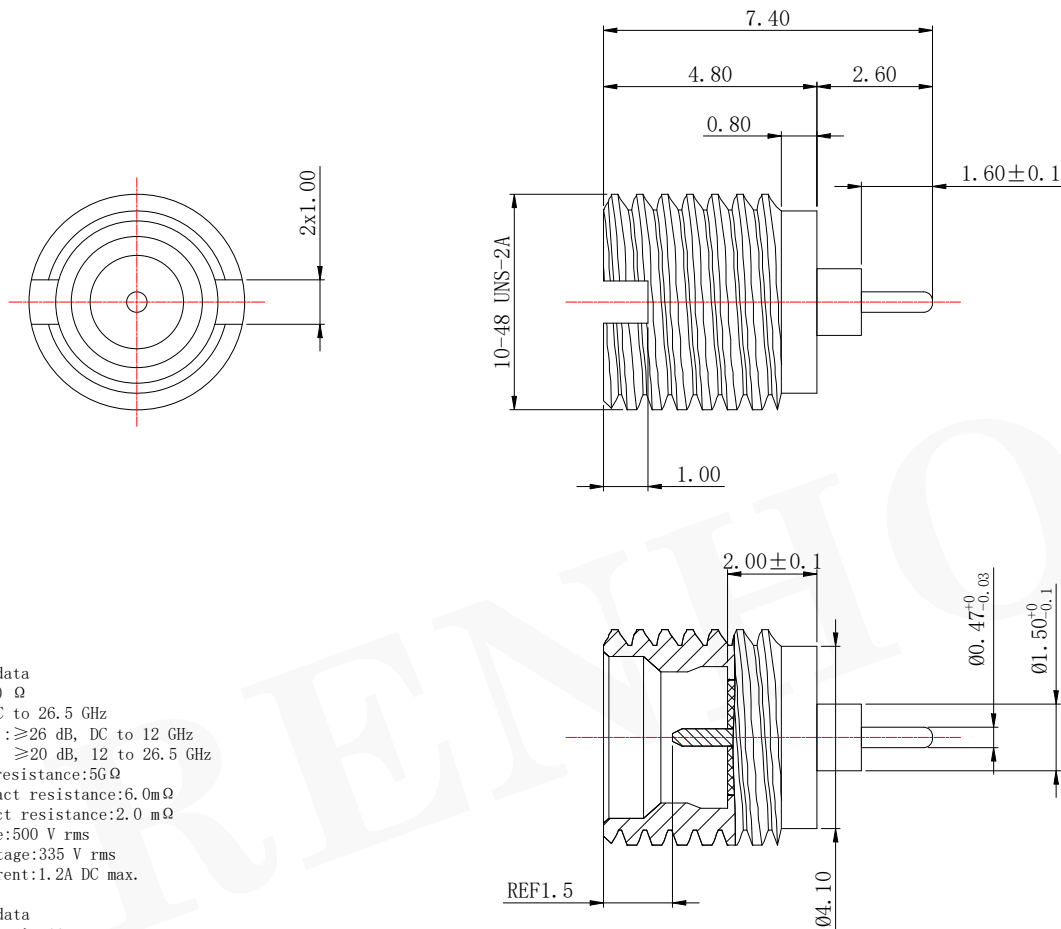




REV	DESCRIPTION	DWN	DATE	APPROVEN
R1.0	First issue	Gavin	2025/07/29	JIM.KING



Electrical data
 Impedance: 50Ω
 Frequency: DC to 26.5 GHz
 Return loss : $\geq 26 \text{ dB}$, DC to 12 GHz
 $\geq 20 \text{ dB}$, 12 to 26.5 GHz
 Insulation resistance: $5G \Omega$
 Center contact resistance: $6.0 \text{ m}\Omega$
 Outer contact resistance: $2.0 \text{ m}\Omega$
 Test voltage: 500 V rms
 Working voltage: 335 V rms
 Contact Current: 1.2 A DC max.

Mechanical data
 Mating cycles: ≥ 500
 Center contact captivation: $\geq 7 \text{ N}$
 Engagement force
 - limited detent: 45 N max.
 Disengagement force
 - limited detent: 9 N min.

Environmental data
 Temperature range: -65°C to $+155^\circ\text{C}$

*Part number coding

Customer P/N:	P/N:
19S105-500L5	RHT-628-2023

3	CENTER PIN	BRASS	GOLD-PLATING: $4\mu''$	1
2	INSULATOR	PTFE	NONE	1
1	BOOY	BRASS	GOLD-PLATING: $3\mu''$	1
NO	DESCRIPTION	MATERIAL	FINISH	QTY

-TOLERANCES- UNLESS OTHERWISE SPECIFIED	仁昊伟业 RENHOTEC RENHOTEC GROUP					
	PART DESCRIPTION: SMP PLUG FOR PCB CONNECTOR					
UNLESS OTHERWISE SPECIFIED TOLERANCES FOR MILLIMETERS ARE: 0.5 - 8mm $\pm 0.10\text{mm}$ 8 - 30mm $\pm 0.15\text{mm}$ 30 - 120mm $\pm 0.20\text{mm}$	Appd: JIM.KING	P/N: RHT-628-2023				
	Check:	Date	Scale	Unit	Type	Page
	Draw: Gavin	2024.07.29	Free	MM	Z	1/1