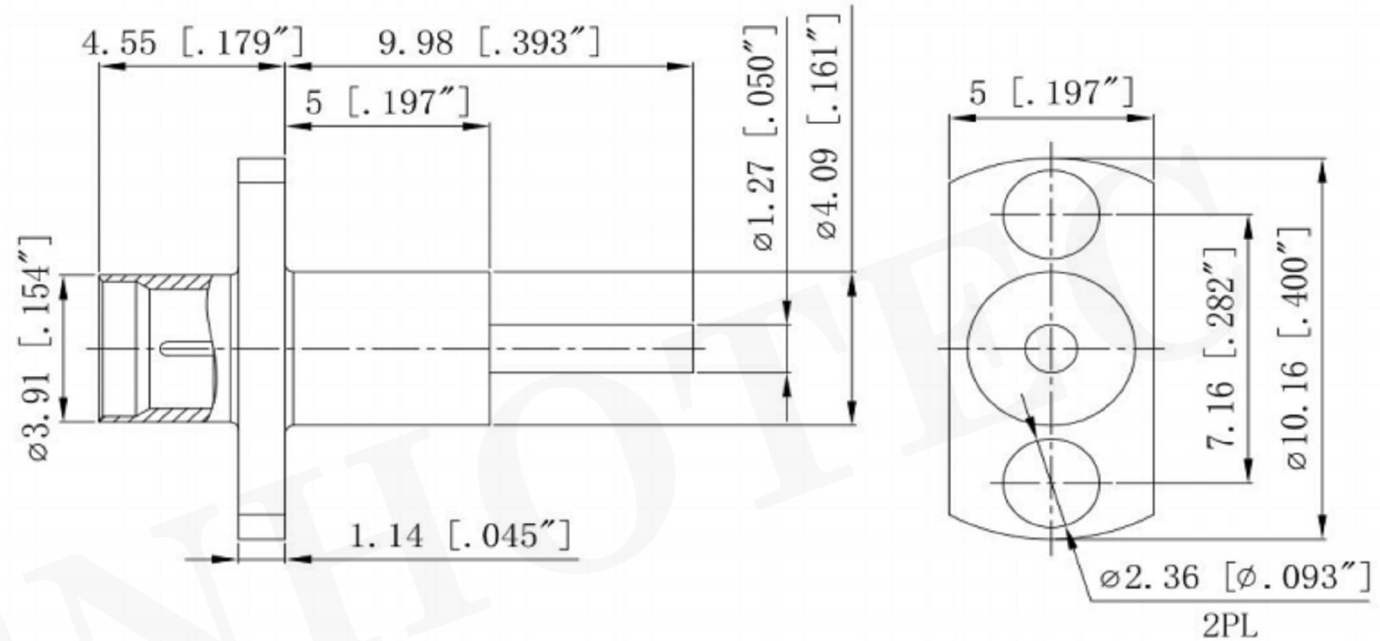




REV	DESCRIPTION	DWN	DATE	APPROVEN
R1.0	First issue	Gavin	2025.06.16	JIM.KING



NOTES:

1. ELECTRICAL:

- 1.1 IMPEDANCE: 50Ω
- 1.2 INSULATION RESISTANCE: $\geq 2000M\Omega$
- 1.3 FREQUENCY RANGE: DC-1 8GHz
- 1.4 DIELECTRIC WITHSTANDING VOLTAGE: 500V MAX AT SEA LEVEL
- 1.5 VSWR: $\leq 1.30:1$

2. ENVIRONMENTAL:

- 2.1 TEMPERATURE RANGE: -55° to $+125^{\circ}$ C
- 2.2 DURABILITY: ≥ 1000 CYCLES

3. MATERIAL AND FINISH:

- 3.1 INNER CONDUCTOR MATERIAL: BERYLLIUM BRONZE GOLD PLATING
- 3.2 EXTERNAL CONDUCTOR MATERIAL: STAINLESS STEEL PASSIVATED
- 3.3 SCREW SLEEVE MATERIAL: STAINLESS STEEL PASSIVATED
- 3.4 INSULATOR: PTFE

-TOLERANCES- UNLESS OTHERWISE SPECIFIED			RENHOTEC GROUP			
			PART DESCRIPTION: SMP 2-Hole Male Head Board End Installation			
UNLESS OTHERWISE SPECIFIED TOLERANCES FOR MILLIMETERS ARE: 0.5 - 8mm \pm 0.20mm 8 - 30mm \pm 0.25mm 30 - 120mm \pm 0.30mm	Appd:	JIM.KING	P/N: RHT-628-2022			
	Check:		Date	Scale	Unit	Type
	Draw:	Gavin	2025.06.16	Free	MM	Z
						Page 1/1