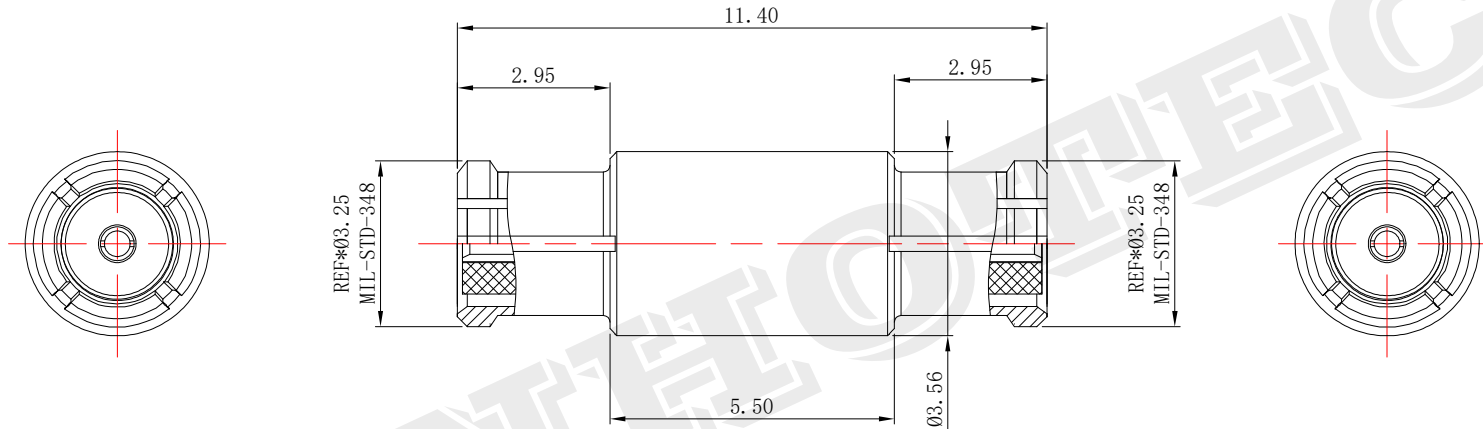
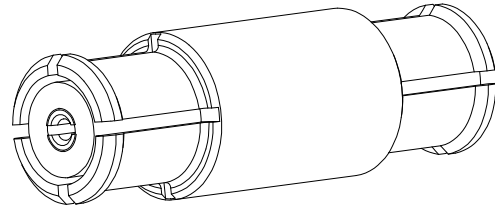



Product NO.		RHT-628-2014		
REV	DESCRIPTION	DWN	DATE	APPROVEN
R1.0	First issue	Gavin	2024/04/24	JIM. KING



Performance:
 Impedance 50 Ω
 Frequency 0-40 GHz
 VSWR 1.5 Maxi
 Insertion loss 0.2dB Maxi
 Voltage rating 335 Veff Maxi
 Dielectric withstanding voltage 500 Veff mini
 Insulation resistance 5000 MΩ mini
 Mating life:100 Cycles mini
 Ambient temperature:-50°C~155°C

-TOLERANCES- UNLESS OTHERWISE SPECIFIED	 RENHOTEC GROUP	
	PART DESCRIPTION: SMP JACK TO SMP JACK CONNECTOR	
UNLESS OTHERWISE SPECIFIED TOLERANCES FOR MILLIMETERS ARE: 0.5 - 8mm ± 0.10mm 8 - 30mm ± 0.15mm 30 - 120mm ± 0.20mm	Appd: JIM. KING	P/N: RHT-628-2014
	Check:	Date: 2024.04.24
	Draw: Gavin	Scale: Free
	Unit: MM	Type: Z
	Page: 1/1	

NO	DESCRIPTION	MATERIAL	FINISH	QTY
3	CENTER PIN	BERYLLIUM COPPER	GOLD-PLATING:5u"	1
2	INSULATOR	PTFE	NONE	1
1	BOOY	BERYLLIUM COPPER	GOLD-PLATING:3u"	1