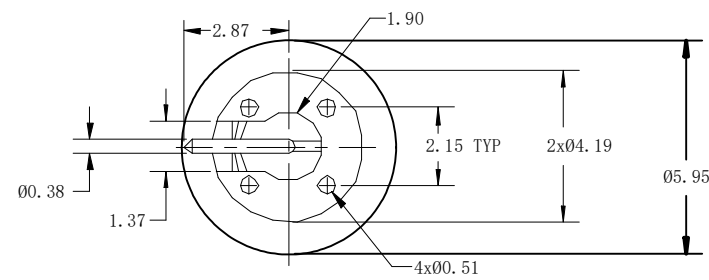
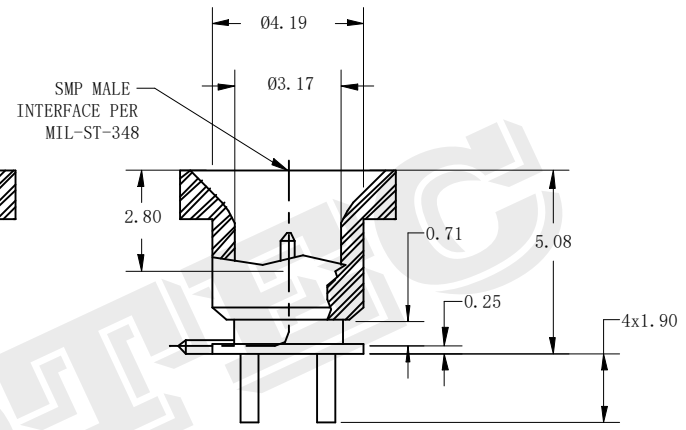
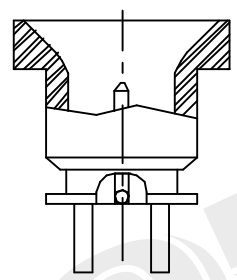
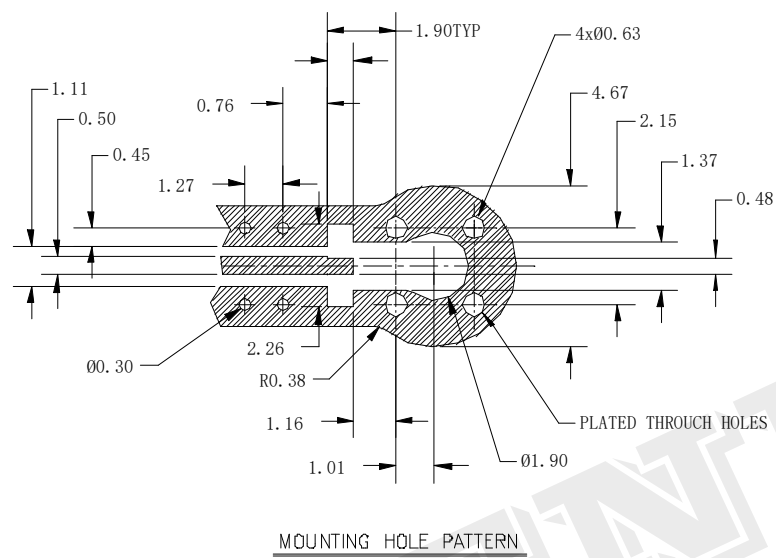




Product NO.		RHT-628-2011		
REV	DESCRIPTION	DWN	DATE	APPROVEN
R1.0	First issue	Gavin	2023/06/26	JIM.KING
R2.0	Add customer part number	Gavin	2024/01/06	JIM.KING



Specifications

Impedance: 50 Ohms nominal
 Frequency Range: DC~18GHz. VSWR: 1.50:1 max to 18 GHz
 Insertion Loss: .10 dmax to 18GHz
 Working Voltage: 335 Vrms max level.
 Dielectric withstanding Voltage: 500 Vrms min. R.F. HiPot
 Voltage: 32Vrms min 5MHz-
 Corona Level: 125Vrms/70,00 ft.
 Insulation Resistance: 5000 MΩ min.
 Center Contact: .6.0 Milliohm max
 Outer Contact: 2.0 Milliohm max
 Operating temperature -65°C~+165°C

*Part number coding

Customer P/N:	P/N:
P797-4CC	RHT-628-2011

3	CENTER PIN	BERYLLIUM COPPER	GOLD-PLATING: 5u"	1
2	INSULATOR	PTFE	NONE	1
1	BOOY	BERYLLIUM COPPER	GOLD-PLATING: 5u"	1
NO	DESCRIPTION	MATERIAL	FINISH	QTY

-TOLERANCES- UNLESS OTHERWISE SPECIFIED	RENHOTEC GROUP					
	PART DESCRIPTION: SMP PLUG FOR PCB CONNECTOR					
UNLESS OTHERWISE SPECIFIED TOLERANCES FOR MILLIMETERS ARE: 0.5 - 8mm ± 0.10mm 8 - 30mm ± 0.15mm 30 - 120mm ± 0.20mm	Appd: JIM.KING	P/N: RHT-628-2011				
	Check:	Date	Scale	Unit	Type	Page
	Draw: Gavin	2024.01.06	Free	MM	Z	1/1