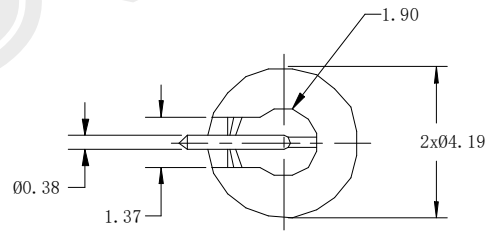
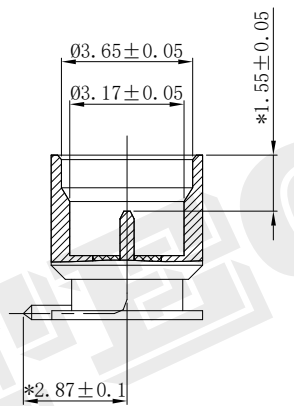
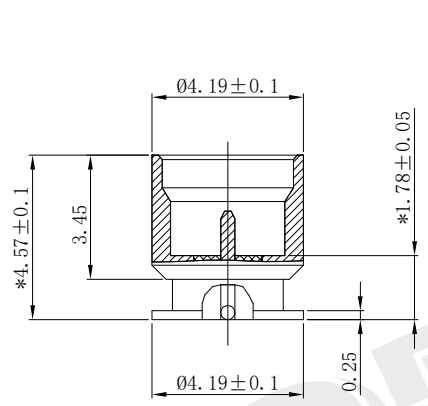
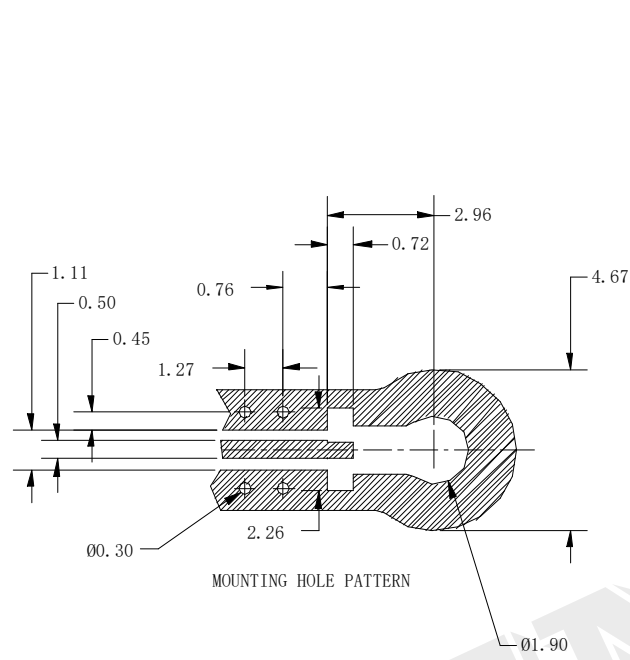




Product NO.		RHT-628-2008		
REV	DESCRIPTION	DWN	DATE	APPROVEN
R1.0	First issue	Gavin	2023/09/28	JIM.KING
R2.0	Add customer part number	Gavin	2024/02/27	JIM.KING



Specifications

Impedance 50Ω
 Frequency 0-40 GHz
 VSWR 1.3* + 0,0000 x F(GHz) Maxi
 Insertion loss 0.12* 0F(GHz) dB Maxi
 Voltage rating 335 Veff Maxi
 Dielectric withstanding voltage 500 Veff mini
 Insulation resistance 5000 MW mini
 Operating temperature -65°C~+165°CMaxi

***Part number coding**

Customer P/N:	P/N:
81_SMP-S50-0-L1/111_NE	RHT-628-2008

4	CENTER PIN	BERYLLIUM COPPER	GOLD-PLATING	1
3	INSULATOR	PTFE	NONE	1
2	OUTER CONTACT	BERYLLIUM COPPER	GOLD-PLATING	1
1	BOOY	BERYLLIUM COPPER	GOLD-PLATING	1
NO	DESCRIPTION	MATERIAL	FINISH	QTY

-TOLERANCES- UNLESS OTHERWISE SPECIFIED	RENHOTEC GROUP	
	PART DESCRIPTION: SMP PLUG FOR PCB CONNECTOR	
UNLESS OTHERWISE SPECIFIED TOLERANCES FOR MILLIMETERS ARE: 0.5 - 8mm ± 0.10mm 8 - 30mm ± 0.15mm 30 - 120mm ± 0.20mm	Appd: JIM.KING	P/N: RHT-628-2008
	Check:	Date Scale Unit Type Page
	Draw: Gavin	2024.02.27 Free MM Z 1/1