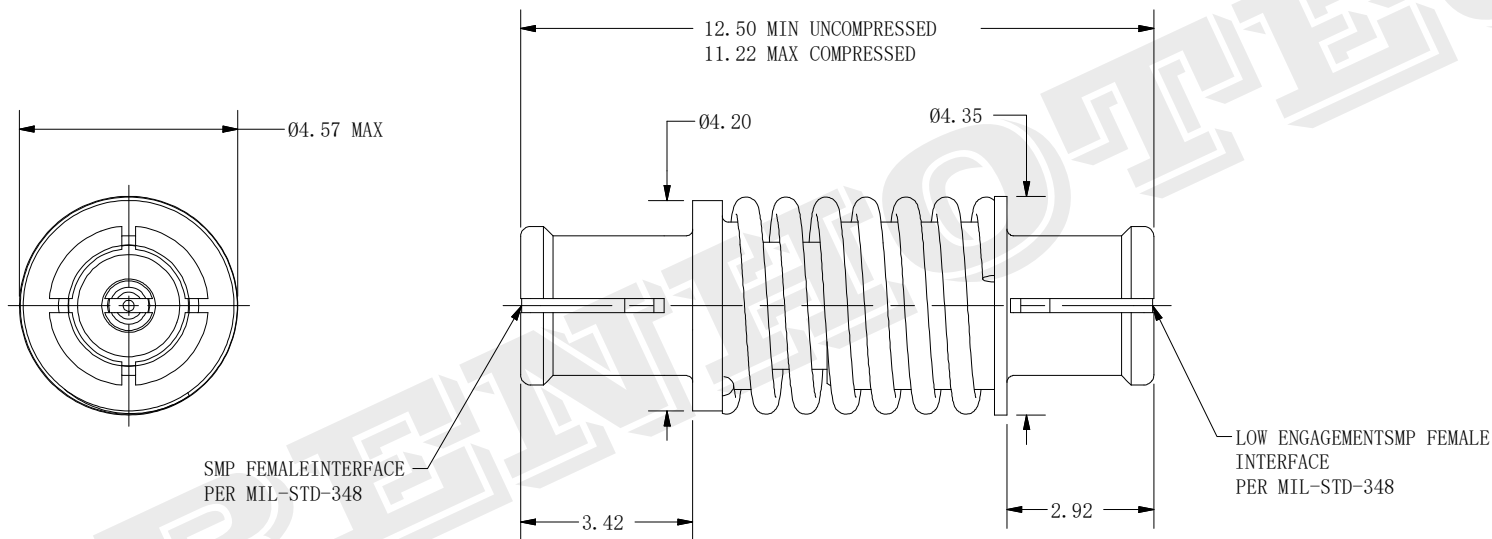
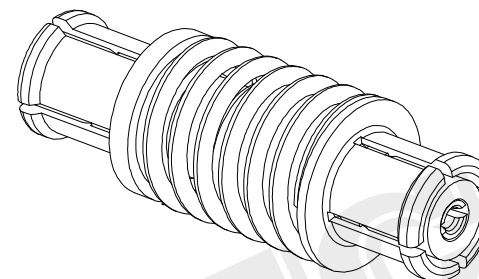




Product NO.		RHT-628-2002		
REV	DESCRIPTION	DWN	DATE	APPROVEN
R1.0	First issue	Gavin	2023/06/26	JIM.KING
R2.0	Add customer part number	Gavin	2024/01/06	JIM.KING



**Specifications**

Impedance 50 Ω  
 Frequency 0-6 GHz  
 VSWR 1.3\* + 0.0000 x F(GHz) Maxi  
 Insertion loss 0.12\* ÖF(GHz) dB Maxi  
 Voltage rating 335 Veff Maxi  
 Dielectric withstanding voltage 500 Veff mini  
 Insulation resistance 5000 MW mini  
 Operating temperature -65°C ~ +165°C Maxi

\*Part number coding

Customer P/N:	P/N:
MMS-11318	RHT-628-2002

6	CENTER PIN	STAINLESS STEEL	PASSIVATE	1
5	BEAD	ULTEM	GOLD-PLATING:1.5u"	1
4	CENTER PIN	BERYLLIUM COPPER	GOLD-PLATING	1
3	INSULATOR	PTFE	NONE	1
2	SLEEVE	STAINLESS STEEL	PASSIVATE	1
1	BOOY	BERYLLIUM COPPER	GOLD-PLATING	1
NO	DESCRIPTION	MATERIAL	FINISH	QTY

-TOLERANCES- UNLESS OTHERWISE SPECIFIED	<b>RENHOTEC GROUP</b>	
	PART DESCRIPTION: SMP JACK TO SMP JACK CONNECTOR	
UNLESS OTHERWISE SPECIFIED TOLERANCES FOR MILLIMETERS ARE: 0.5 - 8mm ± 0.10mm 8 - 30mm ± 0.15mm 30 - 120mm ± 0.20mm	Appd: JIM.KING	P/N: RHT-628-2002
	Check:	Date
	Draw: Gavin	2024.01.06
	Scale	Unit
	Type	Page
	Free	MM
	Z	1/1