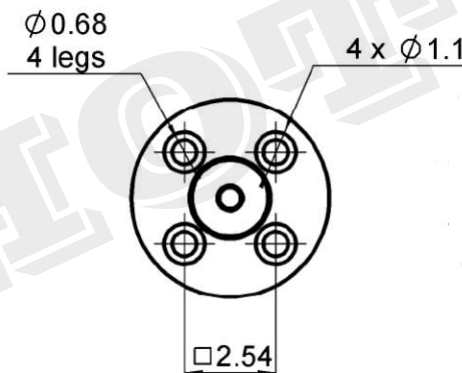
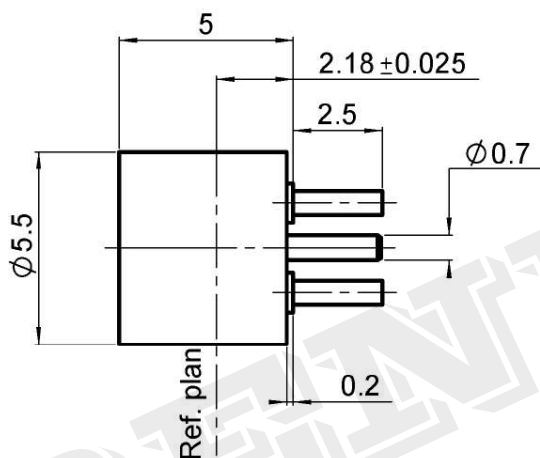
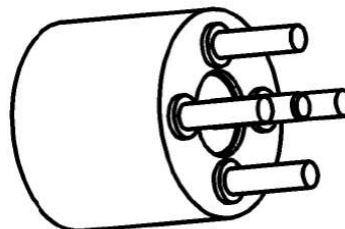




| | | | | |
|-------------|--------------------------|--------------|------------|----------|
| Product NO. | | RHT-628-2001 | | |
| REV | DESCRIPTION | DWN | DATE | APPROVEN |
| R1.0 | First issue | Gavin | 2023/06/26 | JIM.KING |
| R2.0 | Add customer part number | Gavin | 2024/01/06 | JIM.KING |



| PANEL CUT OUT | | |
|---------------|------|------|
| mm | | |
| | Maxi | mini |
| A | 0.86 | 0.79 |
| B | 0.98 | 0.94 |
| C | 2.59 | 2.49 |

Specifications
 Impedance 50 Ω
 Frequency 0-12 GHz
 VSWR 1.25* + 0,0000 x F(GHz) Maxi
 Insertion loss 0.12* ÖF(GHz) dB Maxi
 Voltage rating 335 Veff Maxi
 Dielectric withstanding voltage 500 Veff mini
 Insulation resistance 5000 MW mini
 Operating temperature -65°C ~ +165°C Maxi

*Part number coding

| | |
|---------------|--------------|
| Customer P/N: | P/N: |
| R222.426.300 | RHT-628-2001 |

| | | | | |
|----|-------------|------------------|-------------------|-----|
| 3 | CENTER PIN | BERYLLIUM COPPER | GOLD-PLATING: 5u" | 1 |
| 2 | INSULATOR | PTFE | NONE | 1 |
| 1 | BOOY | STAINLESS STEEL | GOLD-PLATING: 5u" | 1 |
| NO | DESCRIPTION | MATERIAL | FINISH | QTY |

| | | | | | | |
|---|---|-------------------|-------|------|------|------|
| -TOLERANCES- UNLESS OTHERWISE SPECIFIED | RENHOTEC GROUP | | | | | |
| | PART DESCRIPTION: SMP PLUG FOR PCB CONNECTOR | | | | | |
| UNLESS OTHERWISE SPECIFIED TOLERANCES FOR MILLIMETERS ARE: 0.5 - 8mm ± 0.10mm 8 - 30mm ± 0.15mm 30 - 120mm ± 0.20mm | Appd: JIM.KING | P/N: RHT-628-2001 | | | | |
| | Check: | Date | Scale | Unit | Type | Page |
| | Draw: Gavin | 2024.01.06 | Free | MM | Z | 1/1 |