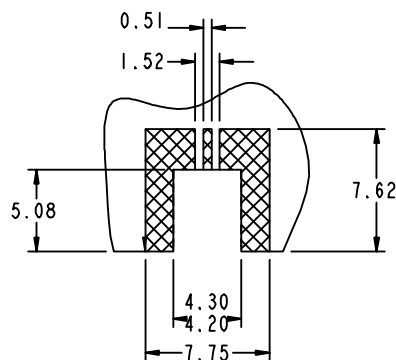
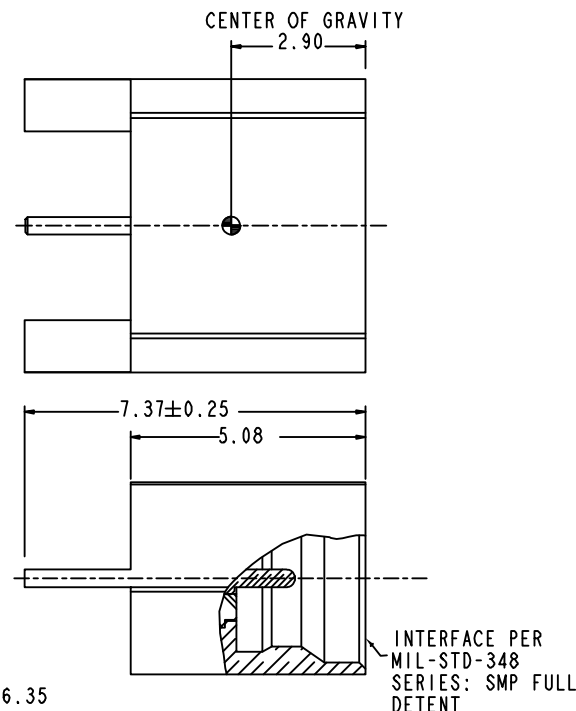
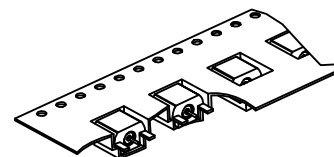
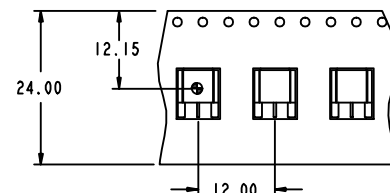
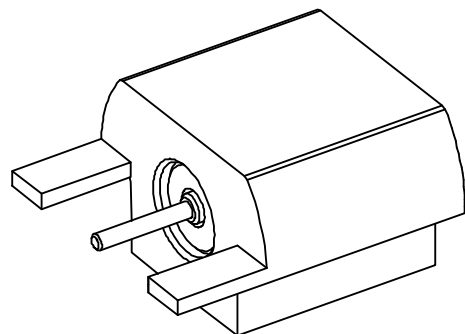
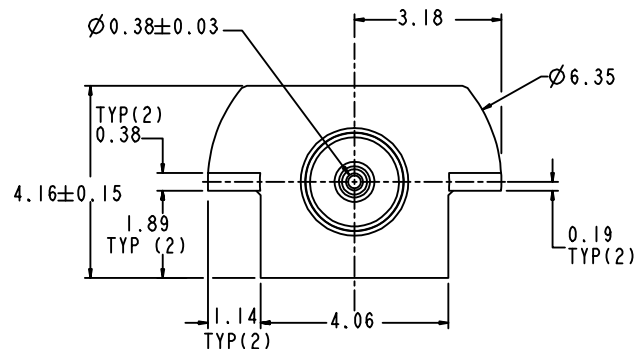




Product NO.		RHT-628-0035			
REV	DESCRIPTION	DWN	DATE	APPROVEN	
R1.0	First issue	CTT	2024/02/26	JIM.KING	



**RECOMMENDED PCB
CUT OUT AND TRACE**



Performance:

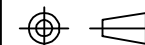
- Impedance 50Ω
- Frequency 0-18 GHz
- VSWR 1.5 Maxi
- Insertion loss 0.2dB Maxi
- Voltage rating 335 Veff Maxi
- Dielectric withstanding voltage 500 Veff mini
- Insulation resistance 5000 MΩ mini
- Mating life:100 Cycles mini
- Ambient temperature:-50℃~155℃

3	CONTACT PIN	BE-C	GOLD	1
2	INSULATOR	TEFLON	NONE	1
1	BODY	BRASS	GOLD	1
No.	TITLE	MATERIAL	FINISH	Q'TY

-TOLERANCES-
UNLESS OTHERWISE
SPECIFIED



RENHOTECGROUP



PART DESCRIPTION:
SMP PLUG FOR PCB CONNECTOR

Appd: JIM.KING

P/N: RHT-628-0035

UNLESS OTHERWISE SPECIFIED
TOLERANCES FOR MILLIMETERS ARE:
0.5 - 8mm ± 0.20mm
8 - 30mm ± 0.25mm
30 - 120mm ± 0.30mm

Check:	Date	Scale	Unit	Type	Page
Draw: CTT	2024.02.26	Free	MM	Z	1/1