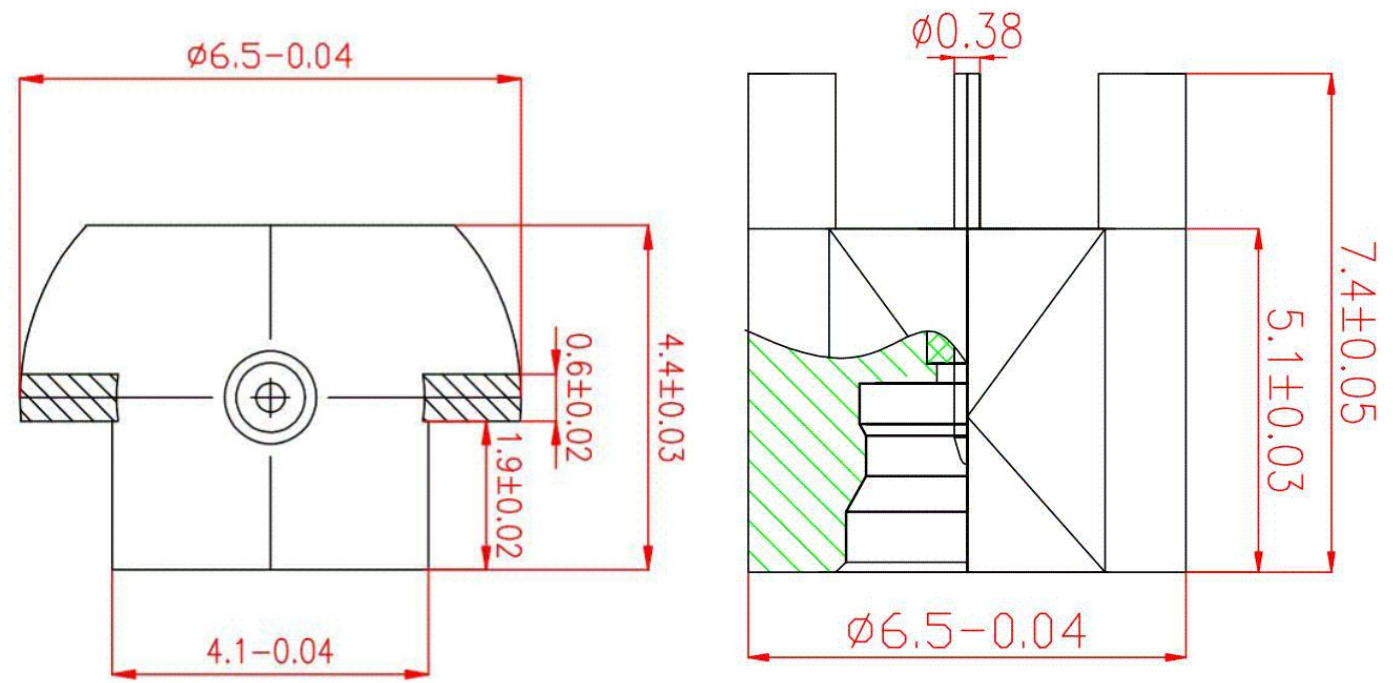
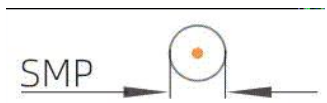


4	5	6
发行版本 Revision	修改内容 Description	制图 Drawing
A / 0	First release	Xiong
		日期 Date
		2024.01.05



NOTES

1. ELECTRICAL:
 - 1.1 IMPEDANCE: 50W
 - 1.2 INSULATION RESISTANCE: 5000M W
 - 1.3 FREQUENCY RANGE: DC-6 GHz
 - 1.4 DIELECTRIC WITHSTANDING VOLTAGE: 750V MAX AT SEA LEVEL
 - 1.5 VSWR: $\leq 1.20:1$
 - 1.6 INSERTION LOSS: 0.25dB (MAX)
2. ENVIRONMENTAL:
 - 2.1 TEMPERATURE RANGE: -55° to $+125^{\circ}$
3. MATERIAL AND FINISH:
 - 3.1 INNER CONDUCTOR MATERIAL: BERYLLIUM BRONZE GOLD PLATING
 - 3.2 INSULATOR: PTFE
 - 3.3 EXTERNAL CONDUCTOR MATERIAL: BRASS GOLD PLATING

客户料号 Cus' P/N		料号 PART NO	RHT-628-0034	品名 Name	SMP Male RF Coaxial Connector Printed circuit board				
未注公差 Unless Otherwise Specified		单位 Unit	mm	版本 Revision	A/0	图纸确认 APPROVAL		日期 Date	
线性 Linear	0.5~6	± 0.2	比例 Scale	—		绘图 Drawing	Xiong	2024.01.05	
	>6~30	± 0.3				审核 Checked	Jason	2024.01.05	
角度Angles	>30	$\pm 2\%$	页码 Page	1 / 1	客户确认 Customer Approved				