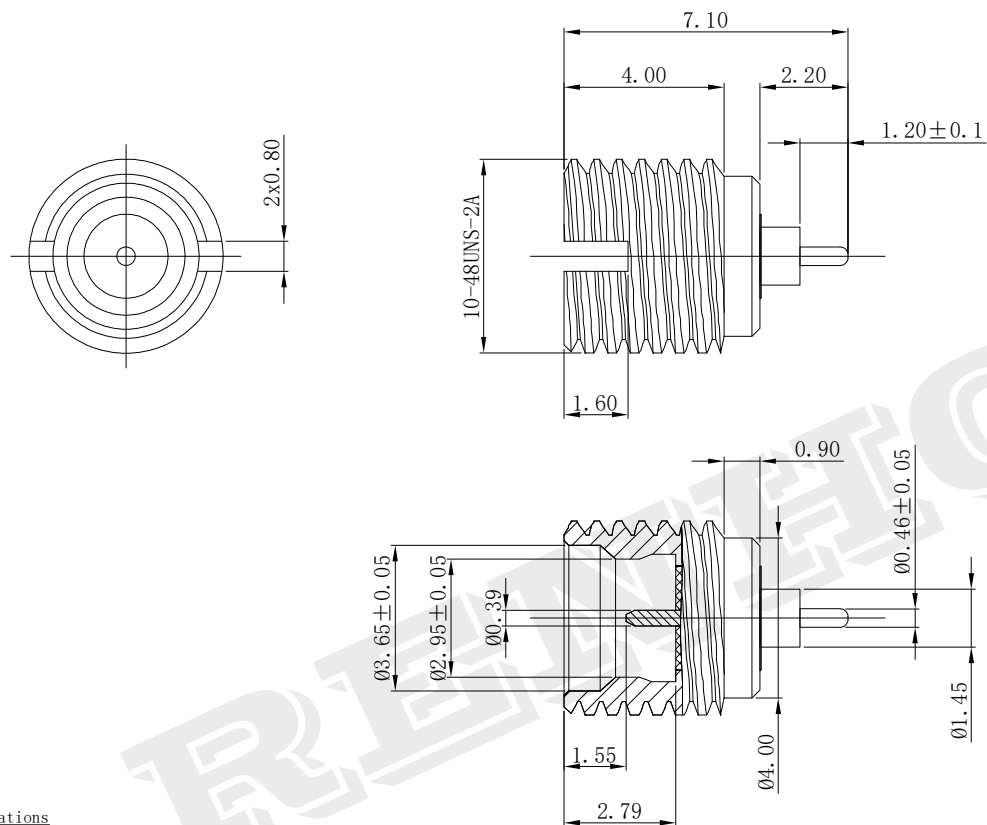




Product NO.		RHT-628-0033		
REV	DESCRIPTION	DWN	DATE	APPROVEN
R1.0	First issue	Gavin	2023/12/01	JIM.KING
R2.0	First issue	Gavin	2023/12/09	JIM.KING
R3.0	Add customer part number	Gavin	2024/01/06	JIM.KING



Specifications
 Impedance 50 Ω
 Frequency 0-12 GHz
 VSWR 1.35 Maxi
 Insertion loss 0.12* 0F(GHz) dB Maxi
 Voltage rating 335 Veff Maxi
 Dielectric withstanding voltage 500 Veff mini
 Insulation resistance 5000 MW mini
 Operating temperature -65°C~+165°CMaxi

*Part number coding

Customer P/N:	P/N:
R222561001	RHT-628-0033

3	CENTER PIN	BERYLLIUM COPPER	GOLD-PLATING: 5u"	1
2	INSULATOR	PTFE	NONE	1
1	BOOY	STAINLESS STEEL	PASSIVATED	1
NO	DESCRIPTION	MATERIAL	FINISH	QTY

-TOLERANCES- UNLESS OTHERWISE SPECIFIED	RENHOTEC GROUP	
	PART DESCRIPTION: SMP PLUG FOR PCB CONNECTOR	
UNLESS OTHERWISE SPECIFIED TOLERANCES FOR MILLIMETERS ARE: 0.5 - 8mm ± 0.10mm 8 - 30mm ± 0.15mm 30 - 120mm ± 0.20mm	Appd: JIM.KING	P/N: RHT-628-0033
	Check:	Date Scale Unit Type Page
	Draw: Gavin	2024.01.06 Free MM Z 1/1