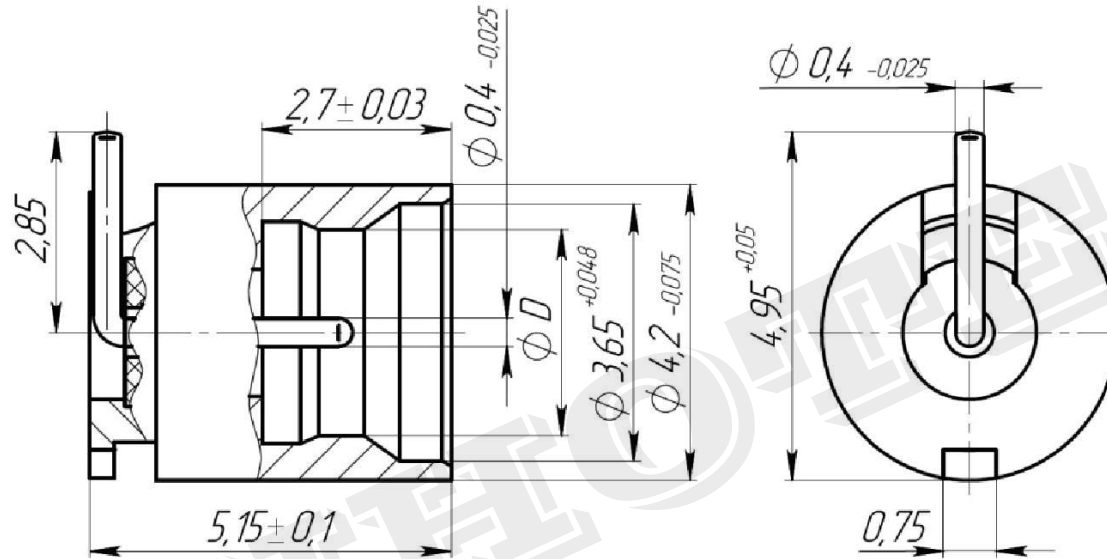




|             |                          |              |            |          |
|-------------|--------------------------|--------------|------------|----------|
| Product NO. |                          | RHT-628-0032 |            |          |
| ISSUE       | DESCRIPTION              | DWN          | DATE       | APPROVEN |
| R1.0        | First issue              | XIEFENG      | 2023.04.10 | JIM.KING |
| R2.0        | Add customer part number | GAVIN        | 2024.01.06 | JIM.KING |



**SPECIFICATIONS:**

IMPEDANCE: 50 ohms  
 FREQUENCY RANGE: 0~18GHz  
 VSWR: 1.50 MAX  
 WORKING VOLTAGE: 335 V rms @ sea level  
 INSULATION RESISTANCE: 5000 MΩ  
 TEMPERATURE RANGE: -55°C TO +155°C  
 Drawings products are in line with ROHS standards

\*Part number coding

|               |              |
|---------------|--------------|
| Customer P/N: | P/N:         |
| CP-50-973B-02 | RHT-628-0032 |

| No. | PART NAME        | DESCRIPTION        | Q'TY |
|-----|------------------|--------------------|------|
| 3   | CENTER CONTACT   | BRASS, Gold plated | 1    |
| 2   | INSULATOR TEFLON | TEFLON, White      | 1    |
| 1   | BODY             | BRASS, Gold plated | 1    |

|  |   |          |
|--|---|----------|
| -TOLERANCES-<br>UNLESS OTHERWISE<br>SPECIFIED<br><br>UNLESS OTHERWISE SPECIFIED<br>TOLERANCES FOR MILLIMETERS ARE:<br>0.5 - 8mm ± 0.20mm<br>8 - 30mm ± 0.25mm<br>30 - 120mm ± 0.30mm | <b>RENHOTEC GROUP</b>                   |          |
|  | PART DESCRIPTION:<br>SMP Plug Connector |          |
| Appr: JIM.KING   | P/N: RHT-628-0032                       |          |
| Check:   | Date: 2024.01.06                        | Scale: / |
| Draw: GAVIN  | Unit: MM                                | Type: Z  |
|  | Page: 1/1                               |          |