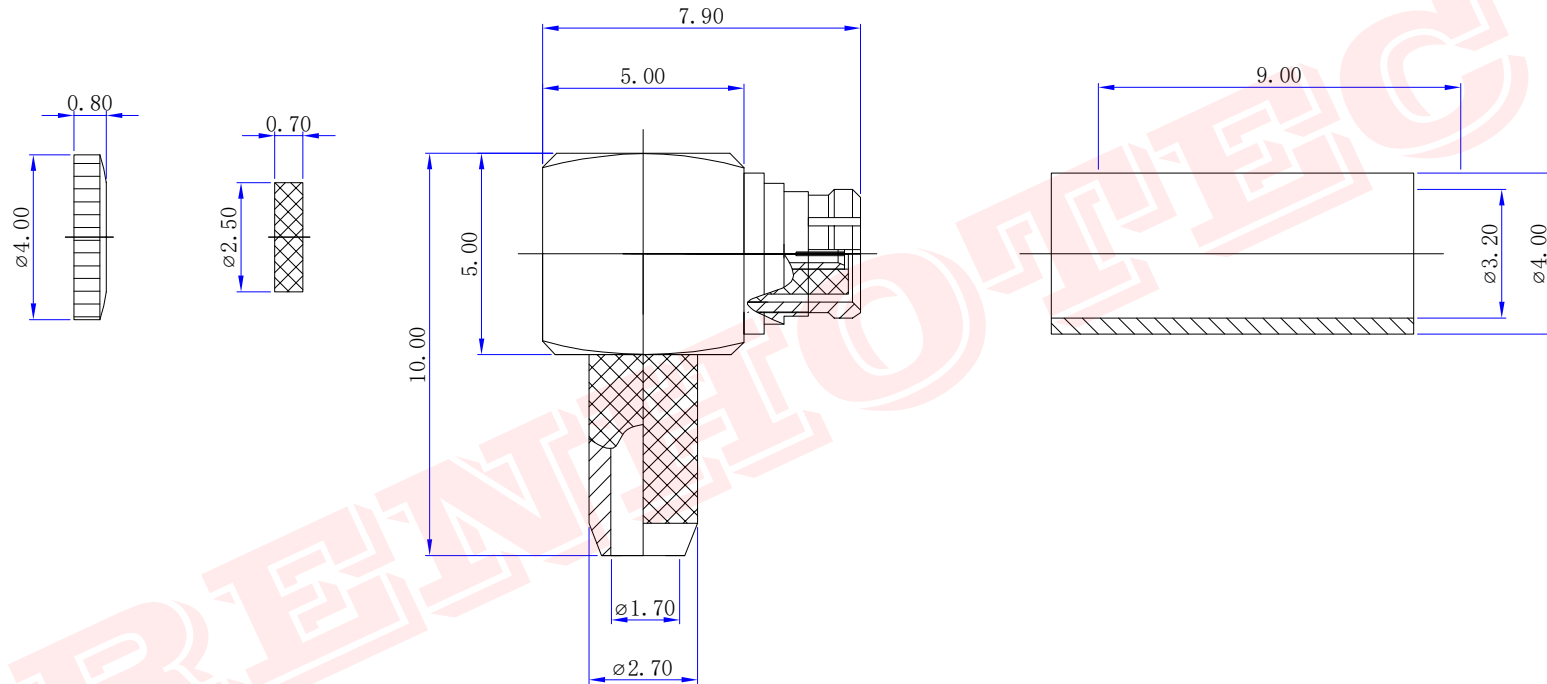




Product NO.

RHT-628-0031

REV	DESCRIPTION	DWN	DATE	APPROVEN
R1.0	First issue	Gavin	2022/08/18	JIM.KING



Specifications

Impedance:50 Ω
 Frequency Range:DC~6G
 VSWR:1.5MAX
 Working Voltage:500V rms @ sea level
 Insulation Resistance:5000 MOhms min
 Temperature Range:-40°C TO +125°C

6	COPPER PIPE	BRASS	NICKEL	1
5	BACK PLUG COVER	BRASS	GOLD	1
4	INSULATING GASKET	PTFE	NONE	1
3	CENTER PIN	BRASS	GOLD	1
2	INSULATOR	PTFE	NONE	1
1	BOOY	BRASS	GOLD	1
NO	DESCRIPTION	MATERIAL	FINISH	QTY

-TOLERANCES- UNLESS OTHERWISE SPECIFIED UNLESS OTHERWISE SPECIFIED TOLERANCES FOR MILLIMETERS ARE: 0.5 - 8mm ± 0.10mm 8 - 30mm ± 0.15mm 30 -120mm ± 0.20mm	RENHOTEC GROUP		PART DESCRIPTION: R/A SMP JACK FOR RG316 CABLE			
	Appd: JIM.KING Check: Draw: Gavin	P/N: RHT-628-0031 Date: 2022.08.18		Scale: Free	Unit: MM	Type: Z