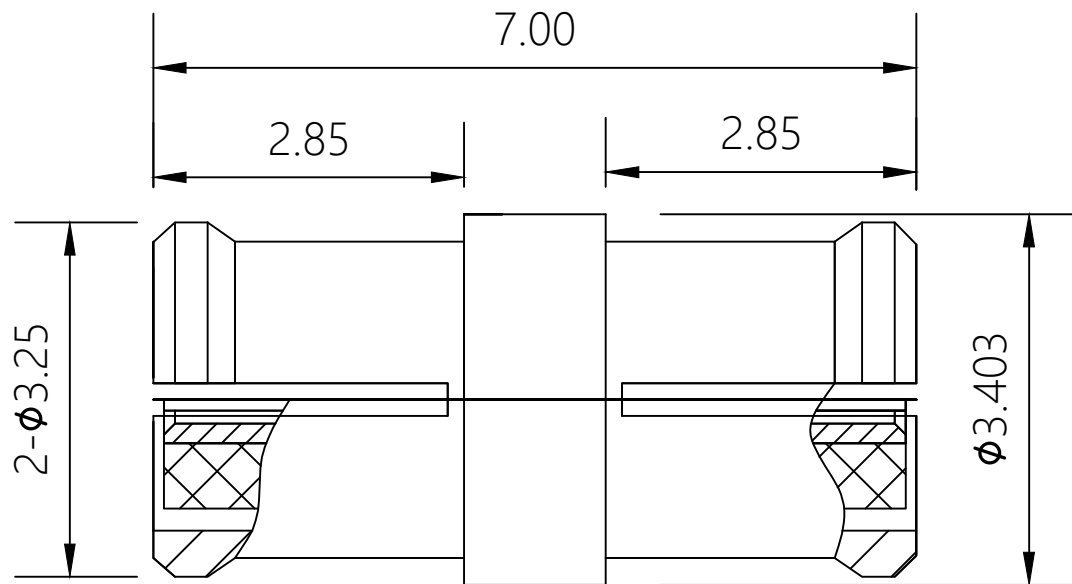




Product NO.		RHT-628-0023		
ISSUE	DESCRIPTION	DWN	DATE	APPROVEN
R1.0	First issue	xiong	2022/04/01	JIM.KING



Note:

1. Temperature range :  $-40^{\circ}\text{C} \sim +125^{\circ}\text{C}$
2. Impedance: 50 ohm
3. Frequency: 0-6ghz
4. Withstand voltage: 750V
5. Insulation resistance:  $>1000\text{M}\Omega$

3	CENTER PIN	Beryllium copper	GOLD	1
2	INSULATOR	PTFE	NONE	1
1	BODY	Beryllium copper	GOLD	1
No.	PART NAME	DESCRIPTION	FINISH	Q'TY

-TOLERANCES- UNLESS OTHERWISE SPECIFIED  UNLESS OTHERWISE SPECIFIED TOLERANCES FOR MILLIMETERS ARE: 0.5 - 8mm $\pm 0.20\text{mm}$ 8 - 30mm $\pm 0.25\text{mm}$ 30 - 120mm $\pm 0.30\text{mm}$	<b>RENHOTEC GROUP</b>	
	PART DESCRIPTION: SMP JACK FOR JACK P/N: RHT-628-0023	
Appr: JIM.KING Check: Draw: XIONG	Date: 2022.04.01	Scale: Free Unit: MM Type: Z Page: 1/1