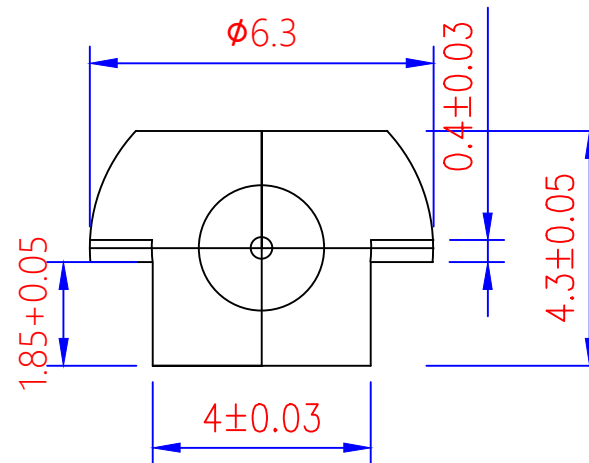
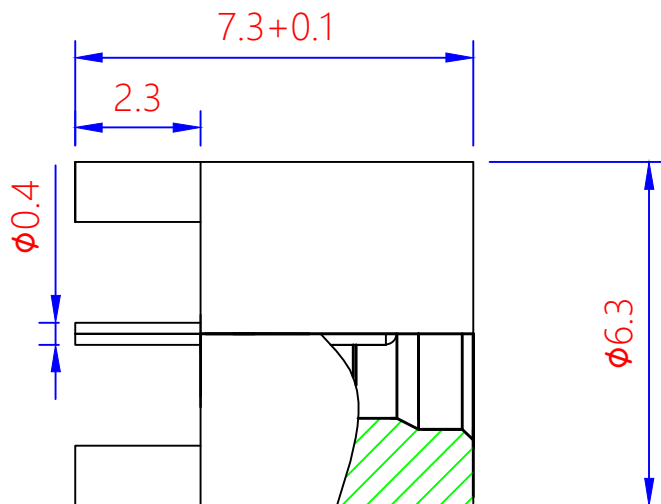




Product NO.		RHT-628-0022		
ISSUE	DESCRIPTION	DWN	DATE	APPROVEN
R1.0	First issue	xiong	2022/04/01	JIM.KING



- Note:
1. Temperature range :-40°C~+125°C
  2. Impedance: 50 ohm
  3. Frequency: 0-3ghz
  4. Withstand voltage: 750V
  5. Insulation resistance: >1000MΩ

3	CENTER PIN	BRASS	GOLD	1
2	INSULATOR	PTFE	NONE	1
1	BODY	BRASS	GOLD	1
No.	PART NAME	DESCRIPTION	FINISH	Q'TY

-TOLERANCES- UNLESS OTHERWISE SPECIFIED  UNLESS OTHERWISE SPECIFIED TOLERANCES FOR MILLIMETERS ARE: 0.5 - 8mm ± 0.20mm 8 - 30mm ± 0.25mm 30 - 120mm ± 0.30mm			<b>RENHOTEC GROUP</b>			
			PART DESCRIPTION: SMP JACK			
Appr: JIM.KING		P/N: RHT-628-0022				
Check:		Date: 2022.04.01	Scale: Free	Unit: MM	Type: Z	Page: 1/1
Draw: XIONG						