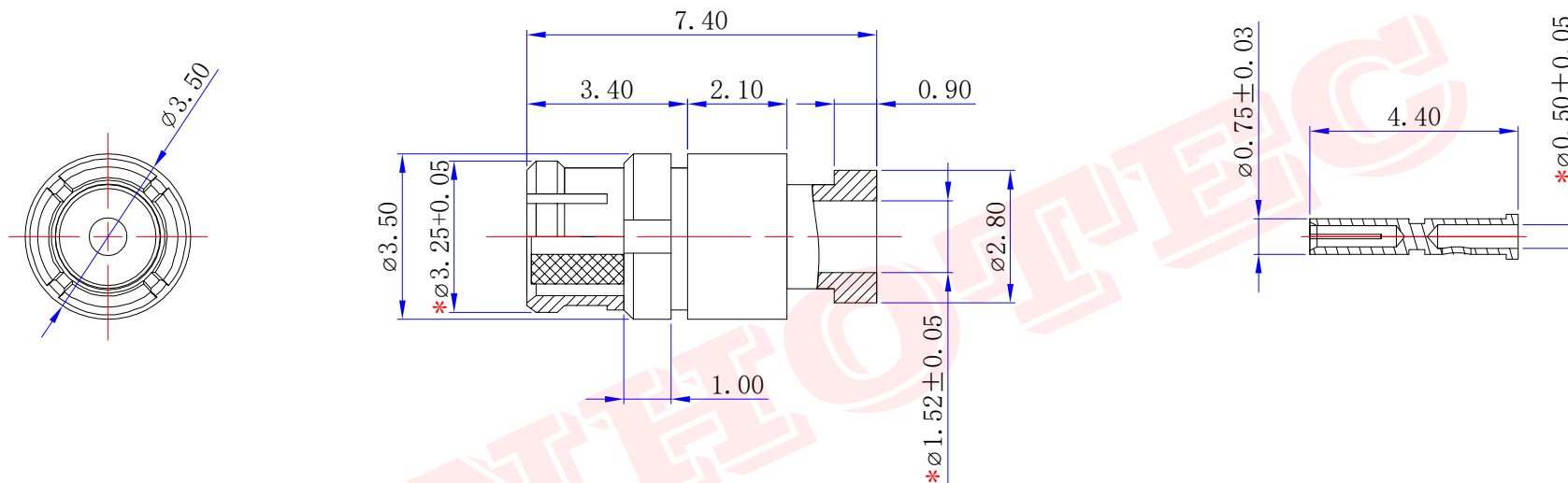




Product NO.

RHT-628-0017

REV	DESCRIPTION	DWN	DATE	APPROVEN
R1.0	First issue	Gavin	2021/12/16	JIM. KING
R2.0	Wiring hole inner diameter size 1.52mm	Gavin	2021/12/17	JIM. KING



Specifications

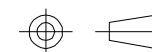
Impedance: 50 Ω
 Frequency Range: DC~6G
 VSWR: 1.5MAX
 Working Voltage: 500V rms @ sea level
 Insulation Resistance: 5000 MOhms min
 Temperature Range: -40°C TO +155°C

4	CENTER PIN	BRASS	GOLD	1
3	SNAP RING	BRASS	GOLD	1
2	INSULATOR	PTFE	NONE	1
1	BOOY	BRASS	GOLD	1
NO	DESCRIPTION	MATERIAL	FINISH	QTY

-TOLERANCES-
UNLESS OTHERWISE
SPECIFIED



RENHOTEC GROUP



PART DESCRIPTION:
SMP JACK FOR 0.047" CABLE

UNLESS OTHERWISE SPECIFIED
TOLERANCES FOR MILLIMETERS ARE:
0.5 - 8mm ± 0.10mm
8 - 30mm ± 0.15mm
30 - 120mm ± 0.20mm

Appd: JIM. KING	P/N: RHT-628-0017				
Check:	Date	Scale	Unit	Type	Page
Draw: Gavin	2021. 12. 17	Free	MM	Z	1/1

1

2

3

4

5

6