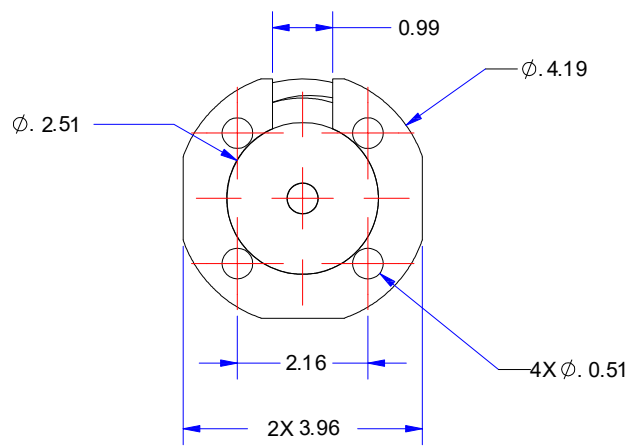
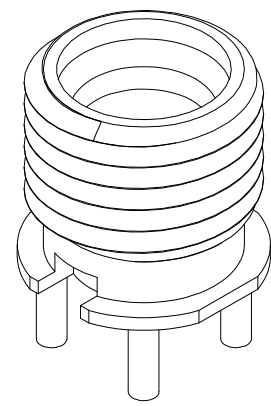
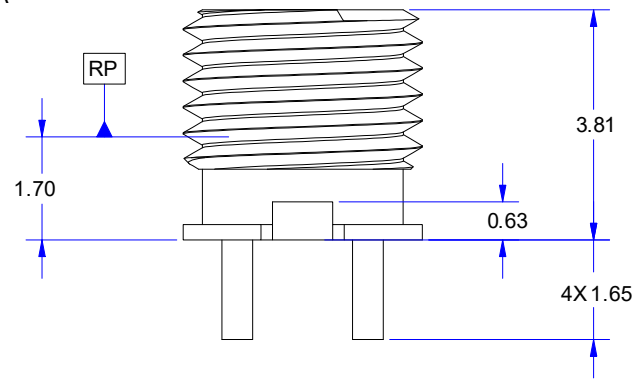
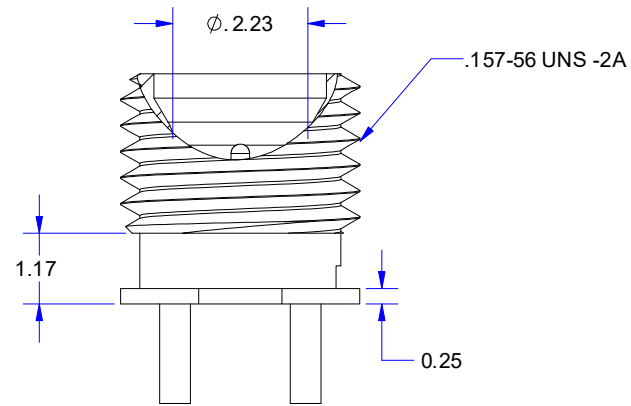




Product NO. RHT-628-0016

ISSUE	DESCRIPTION	DWN	DATE	APPROVEN
RI.0	First issue	Gavin	2020/12/03	JIM. KING



MATERIAL:
 BODY & CONTACT: BRASS
 INSULATOR: PEEK

FINISH:
 BODY & CONTACT: GOLD OVER NICKEL

PERFORMANCE:
 IMPEDANCE: 50 OHMS
 FREQ. RANGE: DC TO 50.0 GHz

-TOLERANCES-
 UNLESS OTHERWISE
 SPECIFIED

UNLESS OTHERWISE SPECIFIED
 TOLERANCES FOR MILLIMETERS ARE:
 0.5 - 8mm ± 0.20mm
 8 - 30mm ± 0.25mm
 30 -120mm ± 0.30mm

RENHOTEC www.renhotec.com **RENHOTEC GROUP**

 Appr: JIM. KING Check: Draw: Gavin	PART DESCRIPTION: THREADED SMPM MALE SURFACE MOUNT SMOOTH BORE P/N: RHT-628-0016				
	Date	Scale	Unit	Type	Page
	2020.12.03	Free	MM	Z	1/1