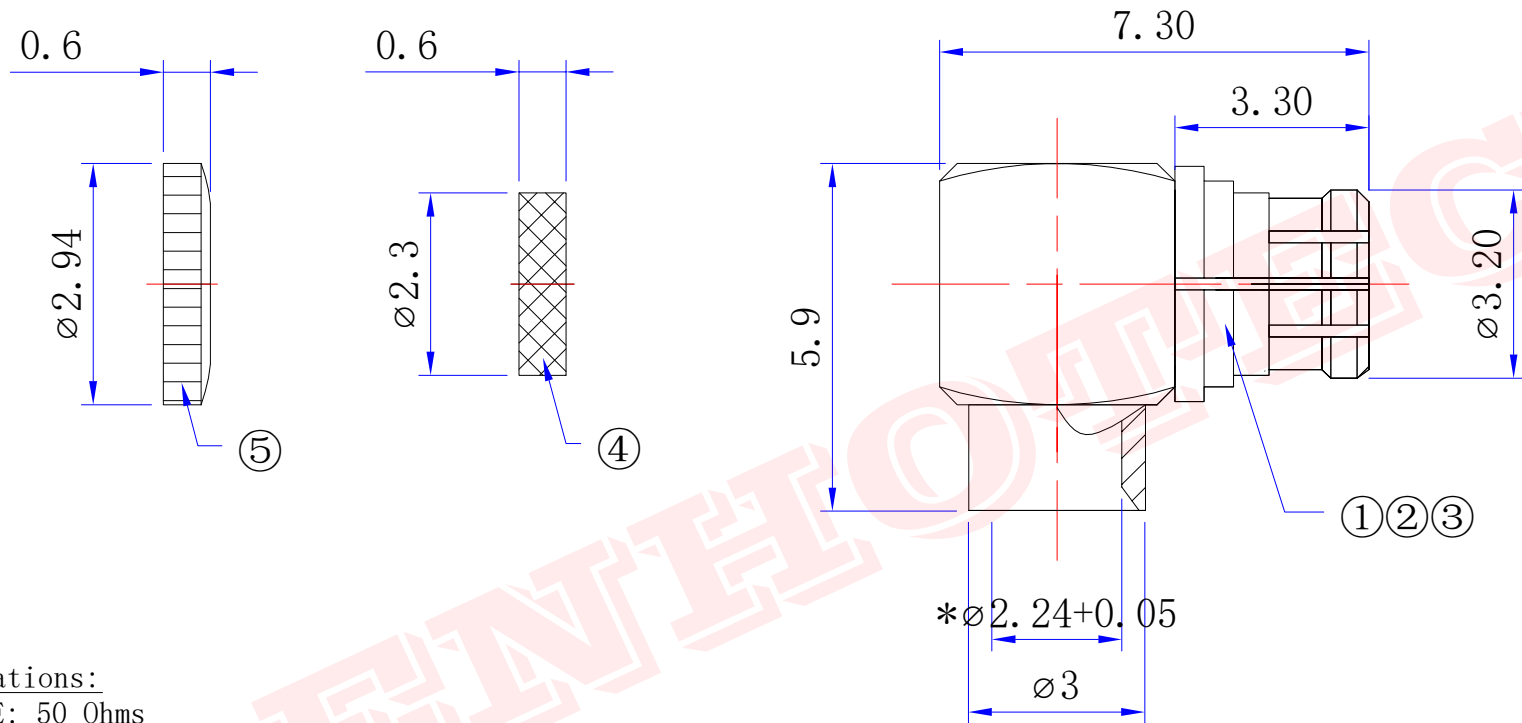




Product NO.		RHT-628-0013			
REV	DESCRIPTION	DWN	DATE	APPROVEN	
R1.0	First issue	Gavin	2019/12/05	JIM. KING	



**Specifications:**

IMPEDANCE: 50 Ohms  
 Frequency range: 0~3GHZ  
 VSWR: 1.3MAX  
 Insulation resistance: 1000MΩ  
 Dielectric Withstand Voltage: 750V  
 Temperature range: -40°C TO +125°C  
 Relative temperature: ≤95% (40°C ± 2°C)

5	CAP	BRASS	GOLD	1
4	RUBBER MAT	PTFE	NONE	1
3	PIN	BRASS	GOLD	1
2	INSULATOR	PTFE	NONE	1
1	BOOY	BRASS	GOLD	1
NO	DESCRIPTION	MATERIAL	FINISH	QTY

-TOLERANCES- UNLESS OTHERWISE SPECIFIED  UNLESS OTHERWISE SPECIFIED TOLERANCES FOR MILLIMETERS ARE: 0.5 - 8mm ± 0.20mm 8 - 30mm ± 0.25mm 30 - 120mm ± 0.30mm	<b>RENHOTEC GROUP</b>		PART DESCRIPTION: SMP JACK FOR RG405 CABLE			
	Appd: JIM. KING Check: Draw: Gavin	P/N: RHT-628-0013 Date: 2019. 12. 05		Scale: Free	Unit: MM	Type: Z