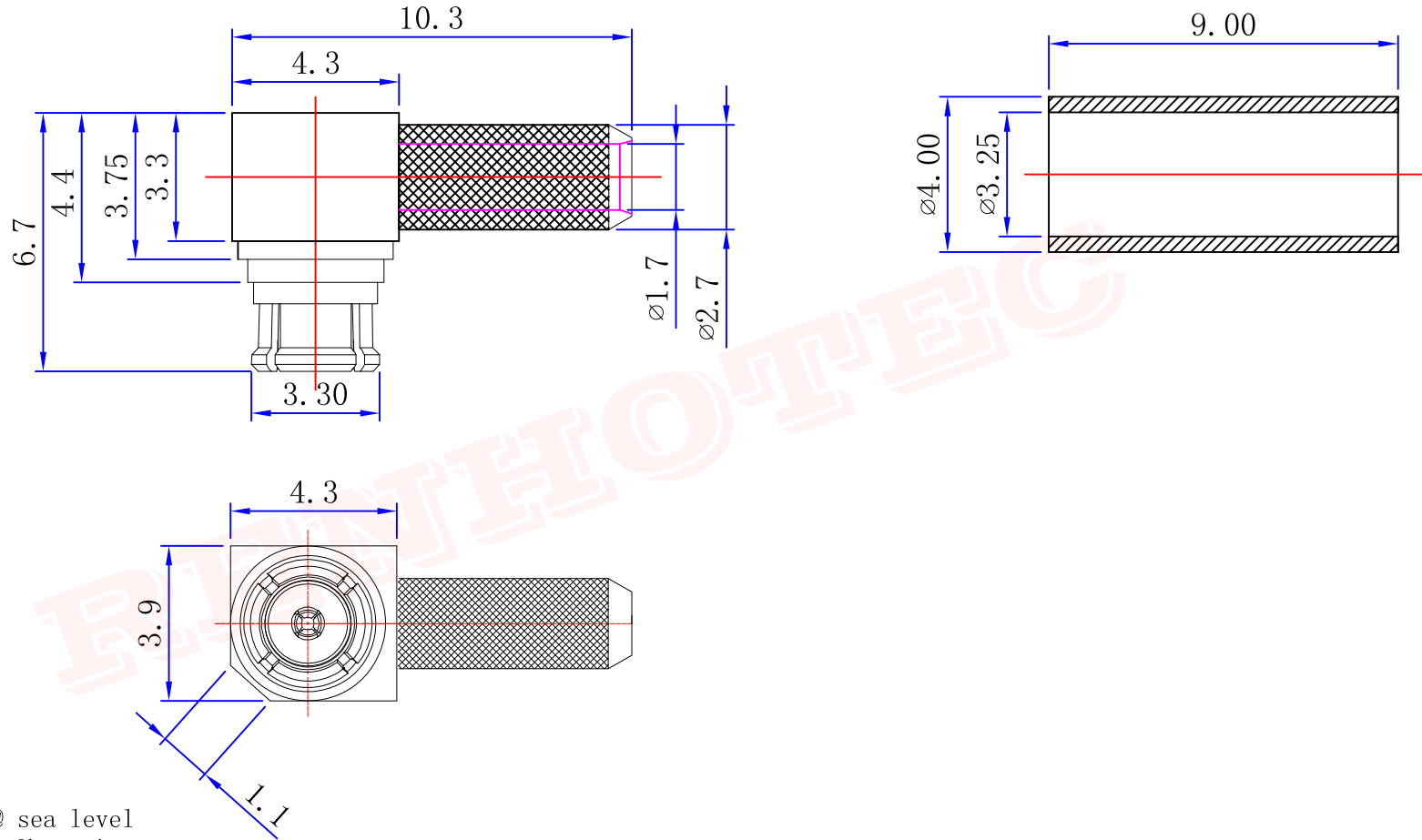




Product NO.		RHT-628-0011		
REV	DESCRIPTION	DWN	DATE	APPROVEN
A	First issue	Gavin	2019/02/21	JIM. KING



Specifications:

IMPEDANCE: 50 Ohms

Frequency range: 0~3GHZ

VSWR: 1.5MAX

Working voltage: 500V rms @ sea level

Insulation resistance: 5000 Ohms min

Temperature range: -55°C TO +155°C

Relative temperature: ≤95% (40° C ± 2° C)

4	FERRULE	BRASS	NICKEL	1
3	PIN	BRASS	GOLD	1
2	INSULATOR	TEFLON	None	1
1	BOOY	BRASS	GOLD	1
NO	DESCRIPTION	MATERIAL	FINISH	QTY

-TOLERANCES- UNLESS OTHERWISE SPECIFIED	<b>RENHOTEC GROUP</b>					
	PART DESCRIPTION: R/A SMP PLUG FOR RG316 CABLE					
UNLESS OTHERWISE SPECIFIED TOLERANCES FOR MILLIMETERS ARE: 0.5 - 8mm ± 0.20mm 8 - 30mm ± 0.25mm 30 - 120mm ± 0.30mm	Appd: JIM. KING	P/N: RHT-628-0011				
	Check:	Date	Scale	Unit	Type	Page
	Draw: Gavin	2019.02.21	Free	MM	Z	1/1