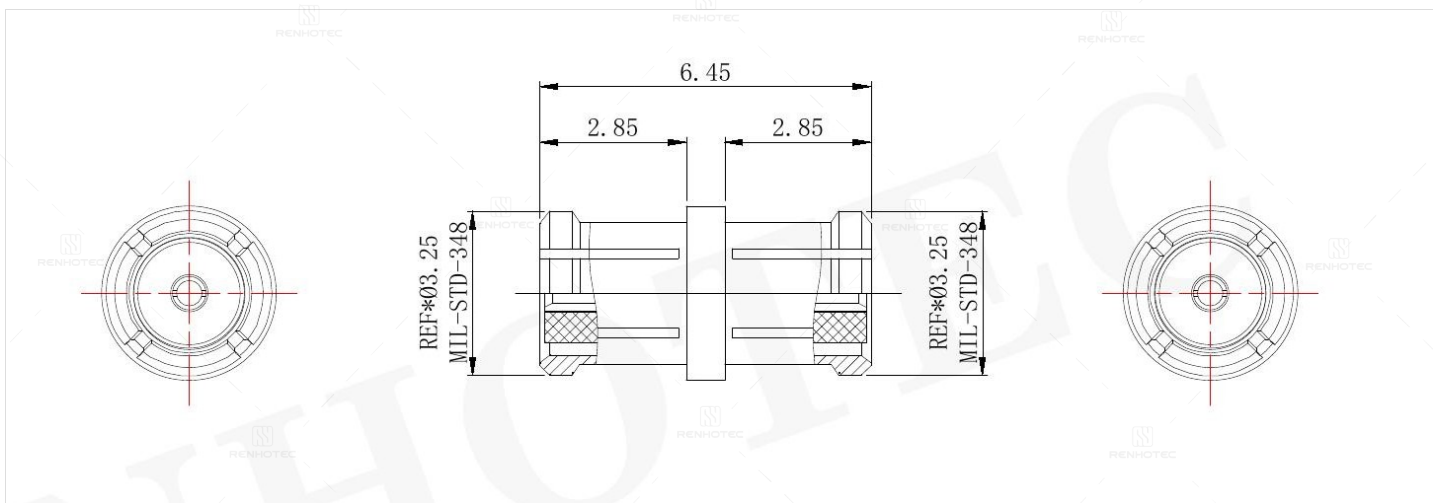


SMP Female to SMP Female Adapter - RHT-628-2035



Drawing



Basic Information

1st Connector	Jack
1st Contact Type	Female Pin
2nd Connector	Jack
2nd Contact Type	Female Pin
Adapter Style	SMP to SMP
Convert From(Adapter 1)	SMP
Convert To(Adapter 2)	SMP
Orientation	Straight

Electrical Specification

Dielectric Withstanding Voltage	1000 V
Test voltage	500 V

Mechanical Specification

Mating Durability	500 Cycles mini
--------------------------	-----------------

Environmental Specification

Temperature Range	-55°C to +165°C
--------------------------	-----------------

Material and Finish

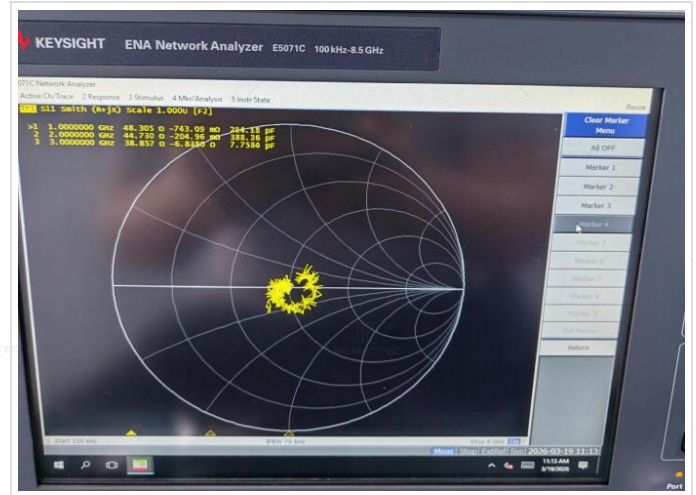
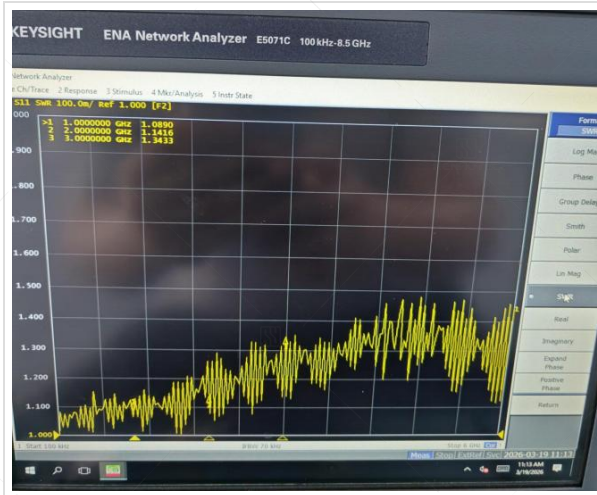
Component Description	Material	Finish
Outer Conductor	CuBe	-
Outer Contact	-	Gold Plated
Insulator	PTFE	-
Contact	CuBe	Gold Plated

Impedance Testing

Impedance	50 ohm
------------------	--------

Frequency & VSWR Test Report

Frequency Range	DC-26.5GHz
VSWR	1.25 MAX



Contact Resistance Test



Working Voltage & Insulation Resistance Test

Working Voltage	335 V rms
Insulation Resistance	5000MΩ Min



Disclaimer

The information in this specification is subject to change without notice. Please confirm the latest version before use. Technical parameters are for reference only, and sufficient testing and verification should be conducted in actual applications.