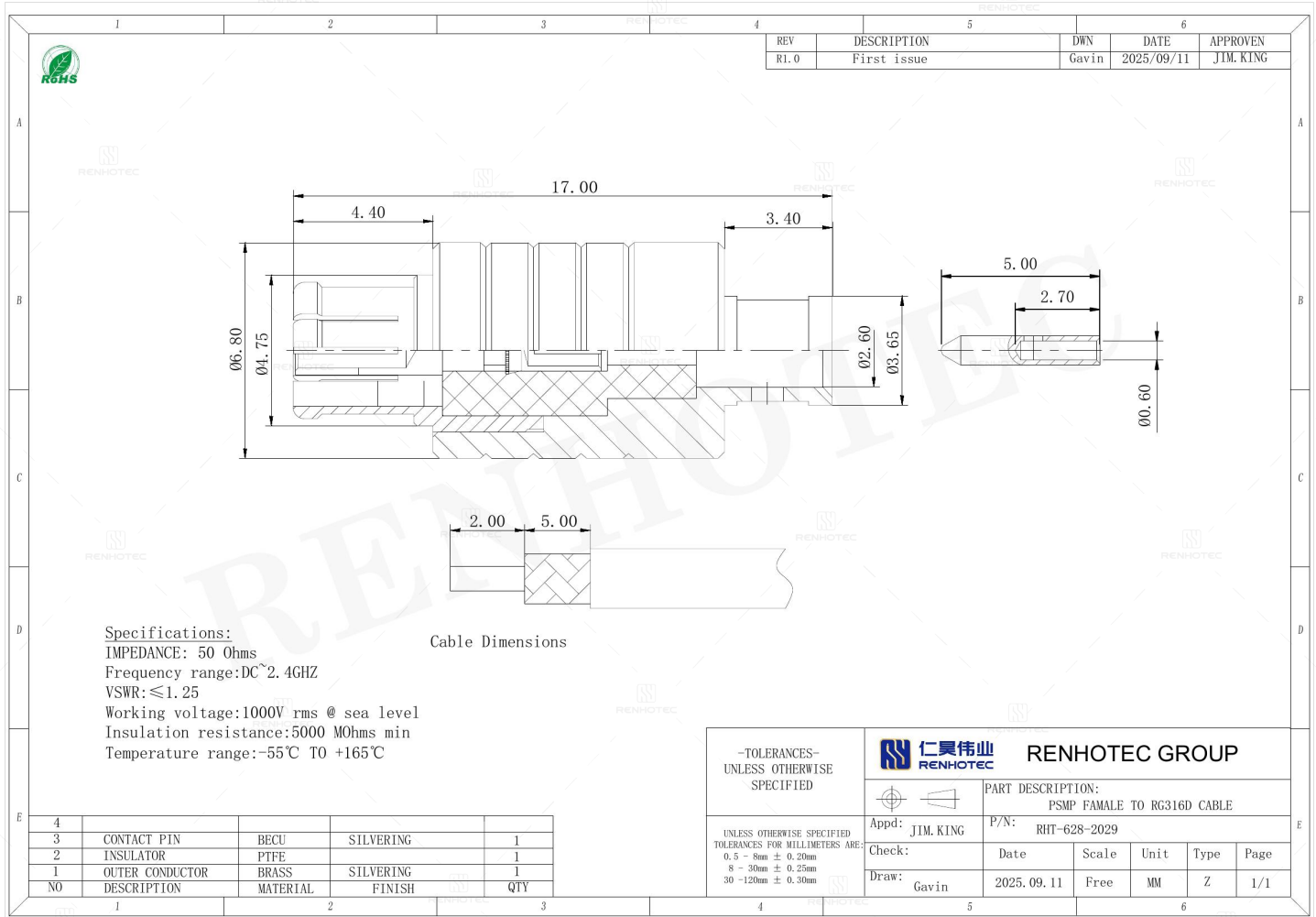


PSMP Female to RG316D Cable - RHT-628-2029

Drawing



Basic Information

Connector Type	Jack
Orientation	Straight
RF Series	PSMP Type
Suitable Cable	RG316D

Environmental Specification

Temperature Range	-55°C to +165°C
--------------------------	-----------------

Material and Finish

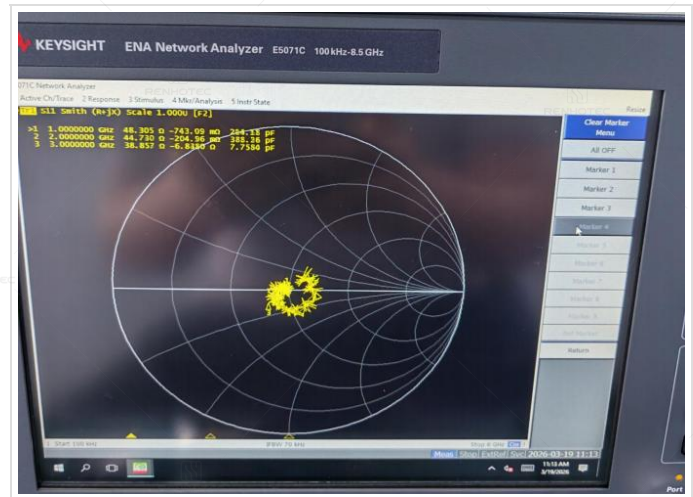
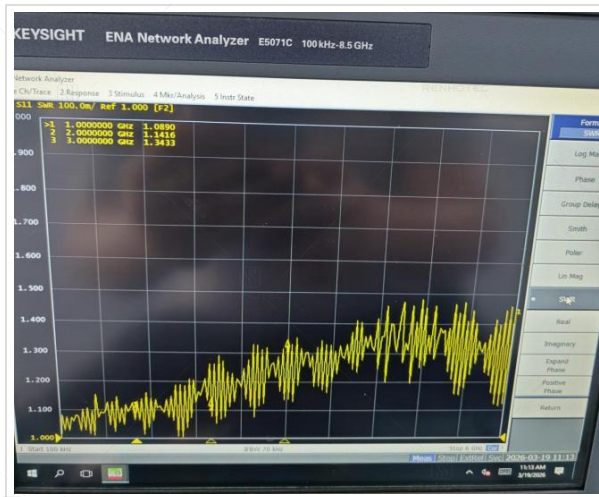
Component Description	Material	Finish
Insulator	PTFE	-
Contact	BeCu	Silver Plated
Center Contact	Brass	Silver Plated

Impedance Testing

Impedance	50 ohm
-----------	--------

Frequency & VSWR Test Report

Frequency Range	DC-2.4GHz
VSWR	1.25 MAX



Contact Resistance Test

Contact Type

Female Pin



Working Voltage & Insulation Resistance Test

Working Voltage

1000 V rms

Insulation Resistance

5000MΩ Min



Disclaimer

The information in this specification is subject to change without notice. Please confirm the latest version before use. Technical parameters are for reference only, and sufficient testing and verification should be conducted in actual applications.