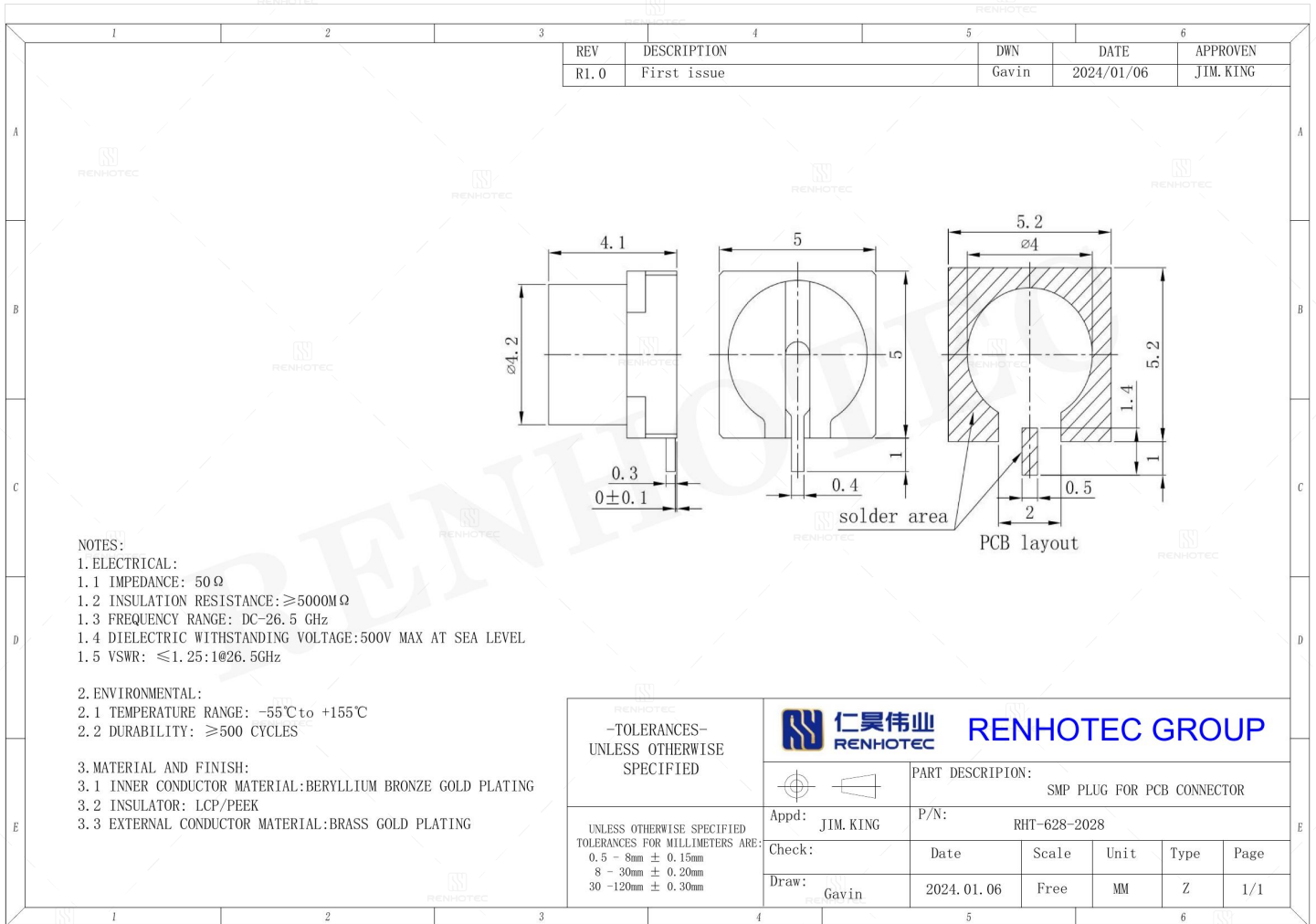


SMP Plug for PCB Connector - RHT-628-2028

Drawing



Basic Information

Connector Type	Plug
Mounting Type	Panel Mount
RF Series	SMP Type

Electrical Specification

Dielectric Withstanding Voltage	500 V
--	-------

Mechanical Specification

Mating Cycles	500 Cycles mini
----------------------	-----------------

Environmental Specification

Temperature Range	-55°C to +155°C
-------------------	-----------------

Material and Finish

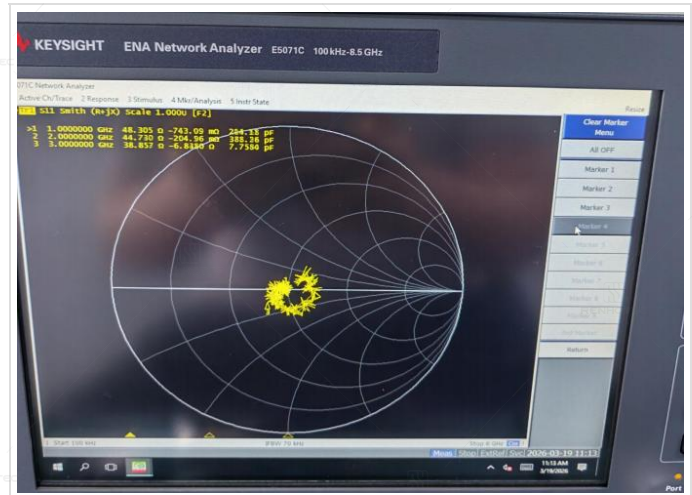
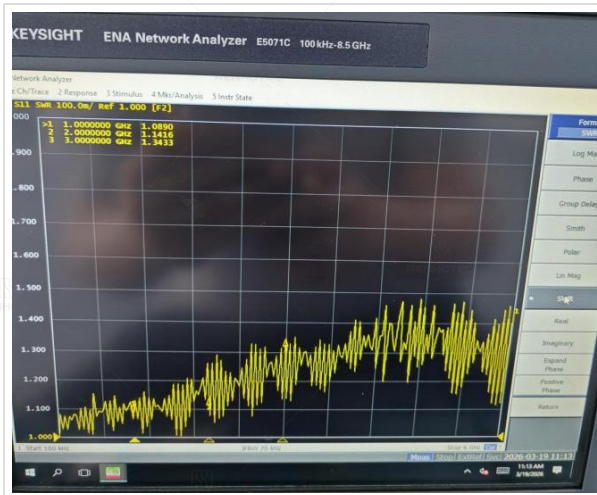
Component Description	Material	Finish
Outer Conductor	Brass	-
Outer Contact	-	Gold Plated
Insulator	LCP/PEEK	-
Contact	Beryllium Copper	Gold Plated

Impedance Testing

Impedance	50 ohm
-----------	--------

Frequency & VSWR Test Report

Frequency Range	DC-26.5GHz
VSWR	1.25 MAX



Contact Resistance Test

Contact Type

Male Pin



Working Voltage & Insulation Resistance Test

Insulation Resistance

5000MΩ Min



Disclaimer

The information in this specification is subject to change without notice. Please confirm the latest version before use. Technical parameters are for reference only, and sufficient testing and verification should be conducted in actual applications.